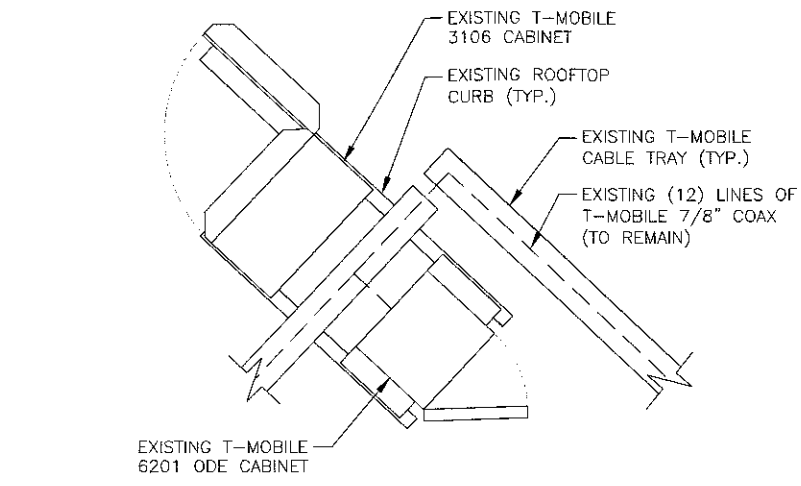
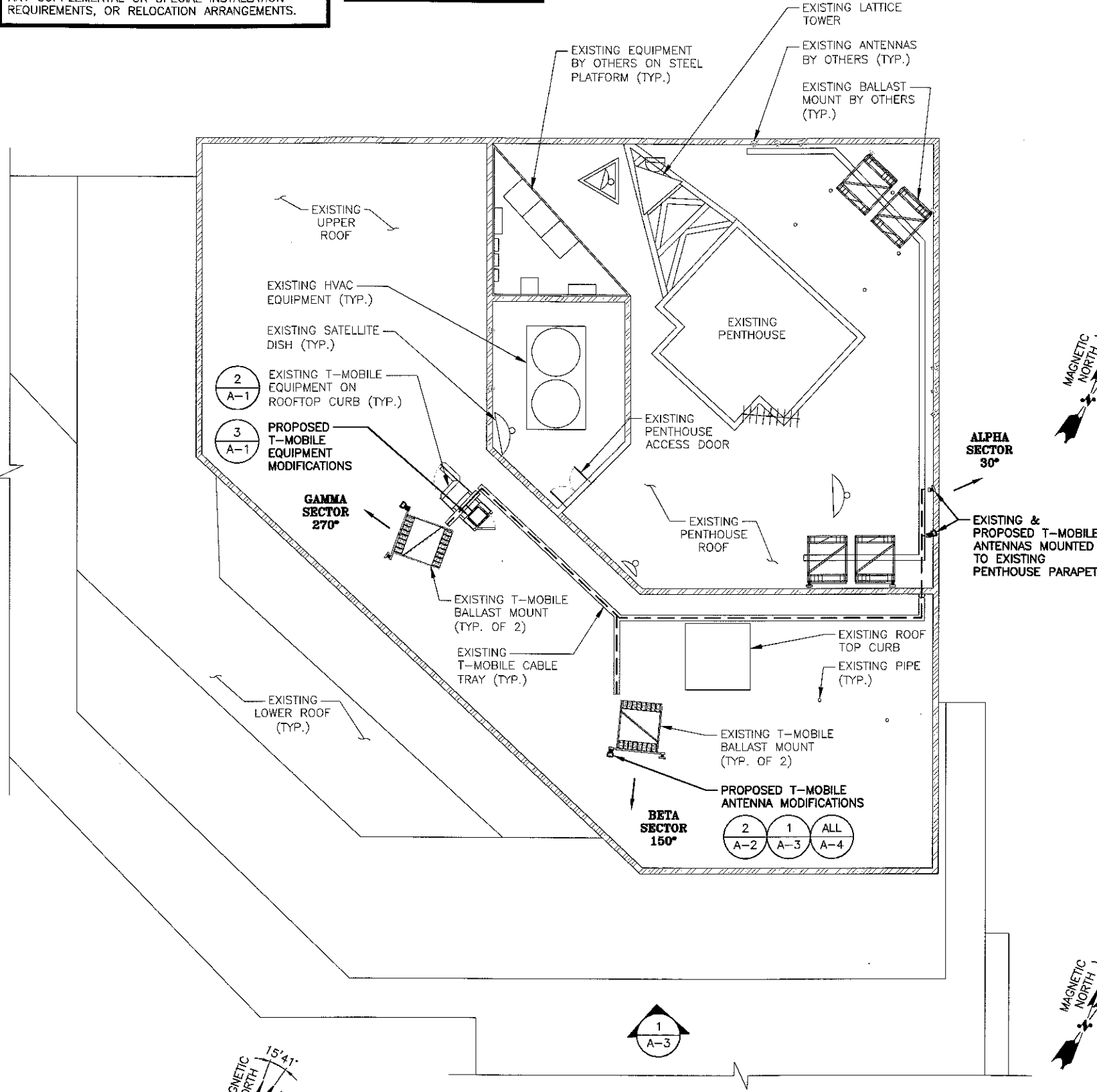
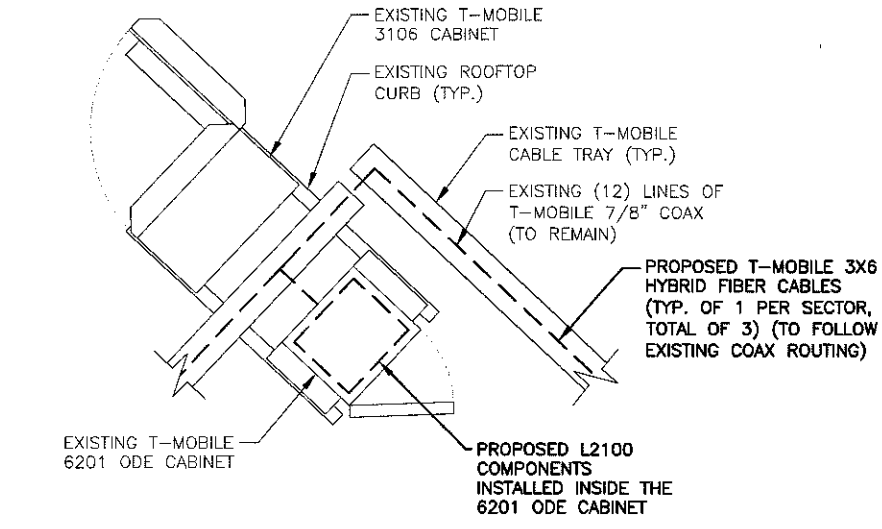


STRUCTURAL NOTES:
 PRIOR TO COMMENCING CONSTRUCTION, GC SHALL REFER TO STRUCTURAL ANALYSIS PROVIDED BY HDG, DATED: OCTOBER 11, 2016 TO DETERMINE IF THERE ANY SUPPLEMENTAL OR SPECIAL INSTALLATION REQUIREMENTS, OR RELOCATION ARRANGEMENTS.

NOTE:
 REFER TO THE FINAL RF DATA SHEET FOR FINAL ANTENNA SETTINGS.



EXISTING EQUIPMENT PLAN 2
 22x34 SCALE: 3/8"=1'-0"
 11x17 SCALE: 3/16"=1'-0"
 A-1



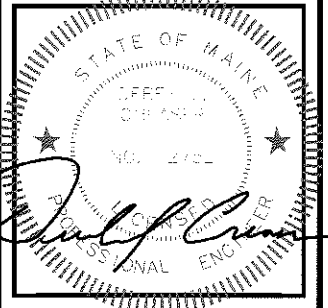
PROPOSED EQUIPMENT PLAN 3
 22x34 SCALE: 3/8"=1'-0"
 11x17 SCALE: 3/16"=1'-0"
 A-1

ROOF PLAN 1
 22x34 SCALE: 3/32"=1'-0"
 11x17 SCALE: 3/64"=1'-0"
 A-1

T-MOBILE NORTHEAST LLC
 15 COMMERCE WAY, SUITE B
 NORTON, MA 02766
 OFFICE: (508) 286-2700
 FAX: (508) 286-2893

CENTERLINE COMMUNICATIONS
 95 RYAN DRIVE #1
 RAYNHAM, MA 02767

Hudson Design Group LLC
 1600 OSGOOD STREET
 BUILDING 20 NORTH, SUITE 3090
 N. ANDOVER, MA 01845
 TEL: (978) 557-5555
 FAX: (978) 336-5584



CHECKED BY: RP

APPROVED BY: DJC

SUBMITTALS

REV.	DATE	DESCRIPTION	BY
1	10/17/16	ISSUED FOR CONSTRUCTION	VP
0	10/07/16	ISSUED FOR REVIEW	VP

SITE NUMBER:
 4DN2284B
 SITE NAME:
 ME284/1 CITY CENTER
 SITE ADDRESS:
 1 CITY CENTER
 PORTLAND, ME 04101
 CUMBERLAND COUNTY

SHEET TITLE
 ROOF & EQUIPMENT PLAN
 (L2100)

SHEET NUMBER
A-1