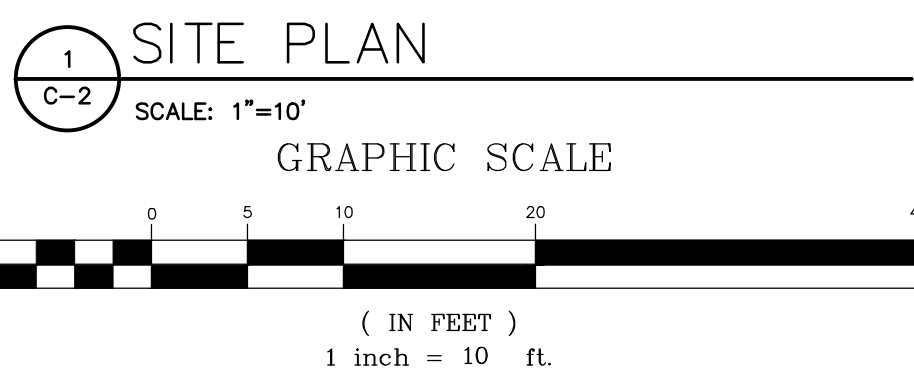


LEGEND	
---	PROPERTY LINE
- - - -	ABUTTING PROPERTY LINE
○	IRON PIN FOUND (AS NOTED)
○	UTILITY POLE
- - - -	EXISTING CONTOUR
-----	STONE WALL
~~~~~	EXISTING TREE LINE

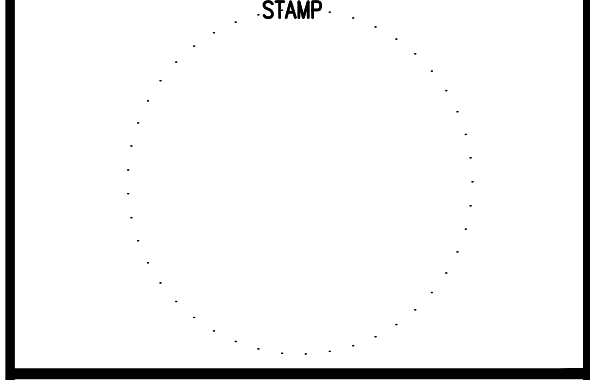


**FINAL CONSTRUCTION DRAWING**

PREPARED FOR:  
  
 BROADBAND FOR ME  
 41 Mechanic Street Suite 219  
 Camden, ME 04843  
 P: (207) 596-5700

**SUBMITTALS**

REV	DATE	ISSUED FOR
△	10/4/16	ISSUED FOR CONSTRUCTION



245 Commercial Street Suite 203  
 Portland, ME 04101  
 P: (207) 591-6427 F: (207) 772-3427

**ONE CITY CENTER**  
 ONE CITY CENTER  
 PORTLAND, ME 04101  
 CUMBERLAND COUNTY

SHEET TITLE  
**SITE PLAN**

DRAFTED BY: CBM	<b>C-2</b>	REV 0
--------------------	------------	----------