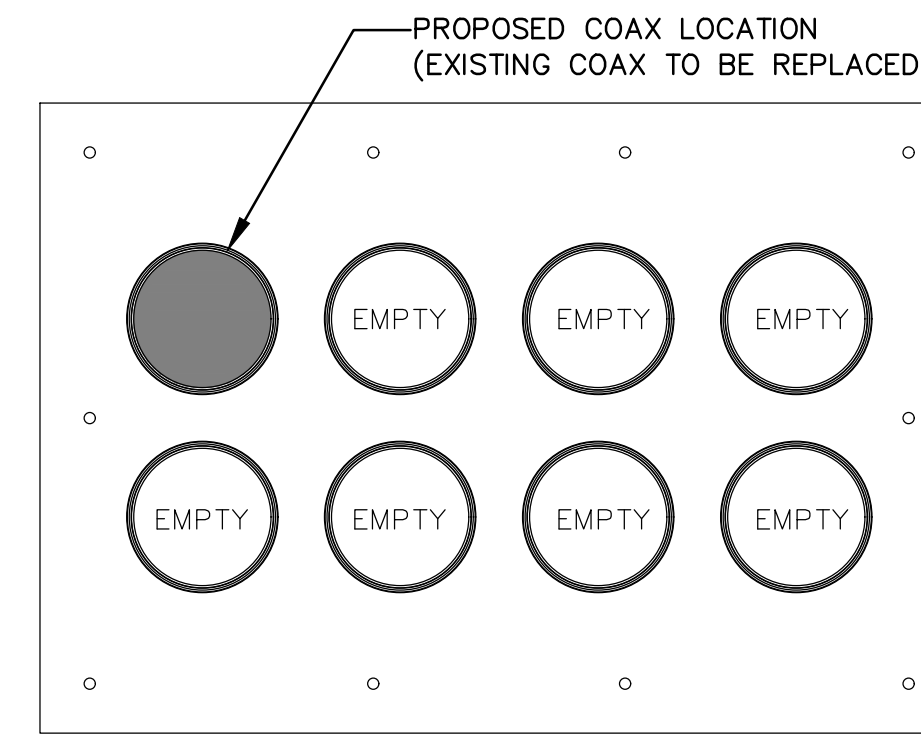
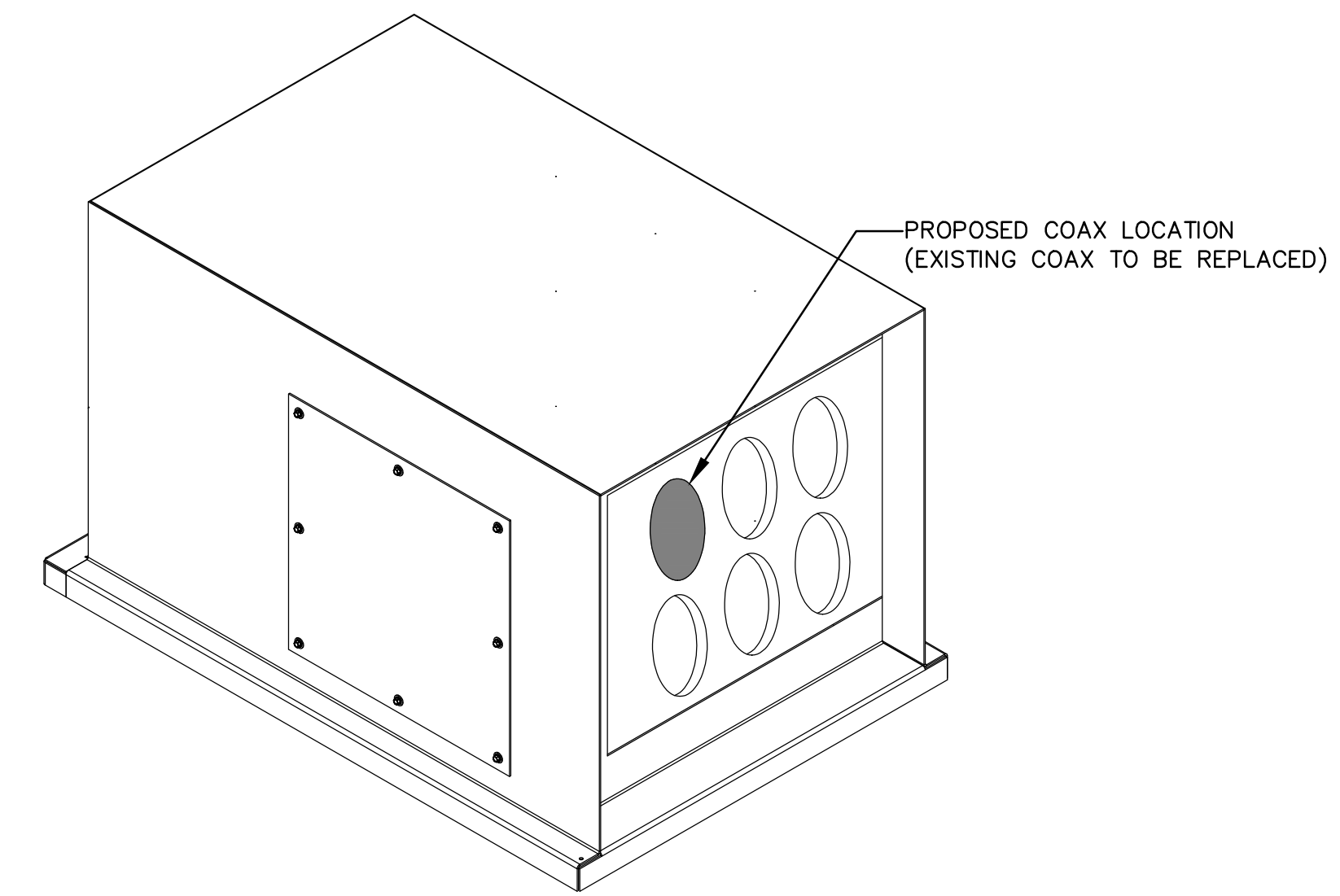


1
A-5
EXISTING EQUIPMENT ROOM LAYOUT (14TH FLOOR)
SCALE: 1/2"=1'



2
A-5
EXISTING ENTRY PANEL
SCALE: N.T.S.



3
A-5
EXISTING ROOF-TOP HOOD ENTRY - (ON ROOF)
SCALE: N.T.S.

FINAL CONSTRUCTION DRAWING

PREPARED FOR:
redzone
 BROADBAND FOR ME
 41 Mechanic Street Suite 219
 Camden, ME 04843
 P: (207) 596-5700

SUBMITTALS

REV	DATE	ISSUED FOR
△	10/4/16	ISSUED FOR CONSTRUCTION

STAMP

TILSON
 245 Commercial Street Suite 203
 Portland, ME 04101
 P: (207) 591-6427 F: (207) 772-3427

ONE CITY CENTER
 ONE CITY CENTER
 PORTLAND, ME 04101
 CUMBERLAND COUNTY

SHEET TITLE
 EQUIPMENT ROOM LAYOUT
 AND DETAILS

DRAFTED BY:	REV
CBM	A-5 0