

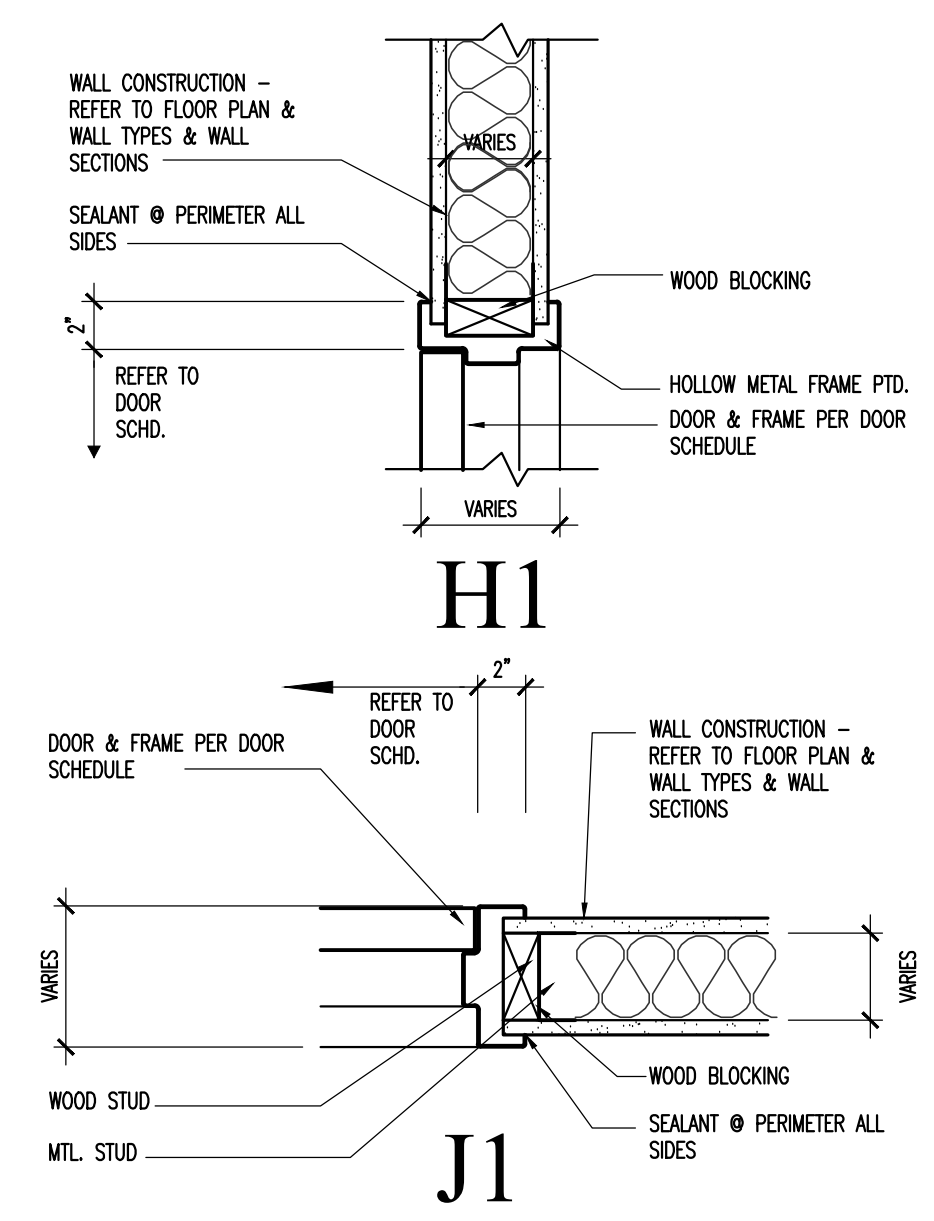
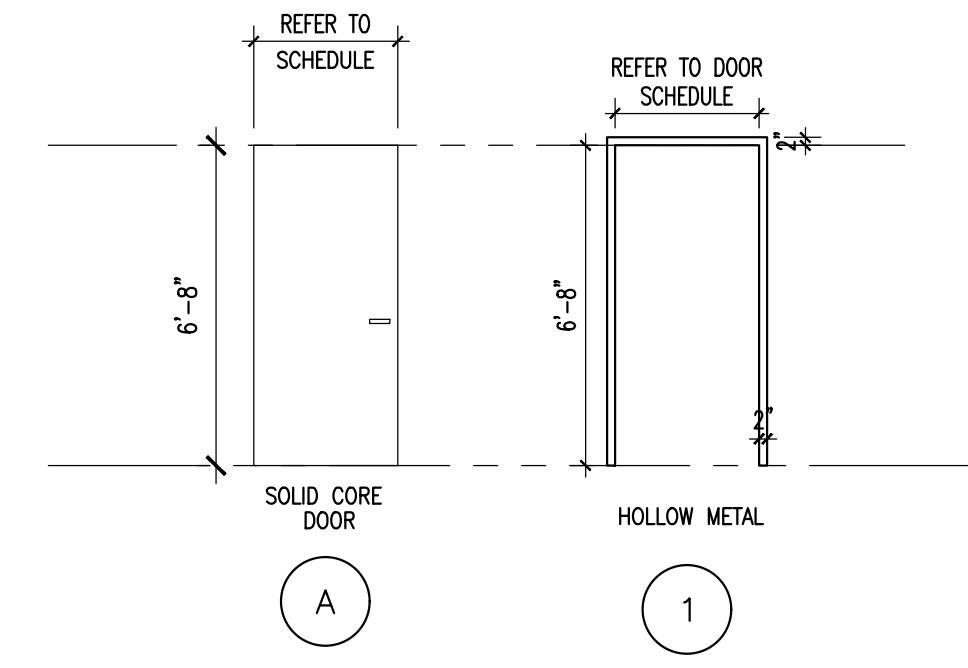
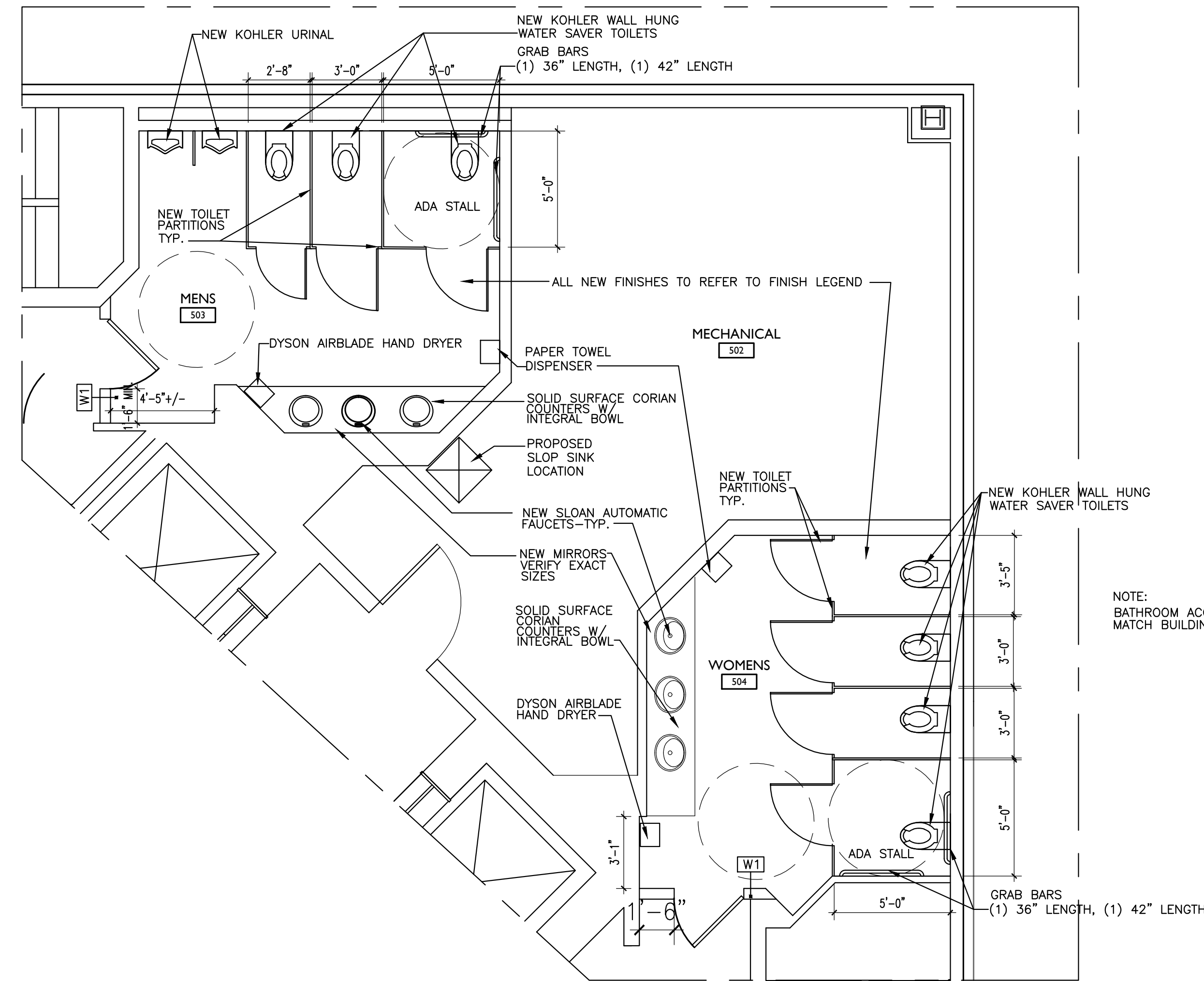
REVISIONS		
#	DATE	DESCRIPTION

DATE:	06-20-16
PROJECT #:	050416
DRAWN BY:	DLP
CHECKED BY:	MET
DRAWING SCALE:	AS NOTED

**SHEET TITLE**

ENLARGED PLAN AT RESTROOMS  
DOOR SCHEDULE/DOOR  
FRAME/TYPES

**A101**



**L12 DOOR TYPE & FRAME**

1/4"=1'-0"

**L16 FRAME DETAILS**

1 1/2"=1'-0"

**DOOR SCHEDULE**

DOOR SCHEDULE ABBREVIATIONS																	
EHO	ELECTRO-HOLD OPENER	NO	NUMBER	WD	WOOD (SOLID)												
HM	HOLLOW METAL	ES	ELECTRIC STRIKE	WG	WIRE GLASS												
INS	INSULATE D	TEMP	TEMPERED	S	STAIN												
MTL	METAL	THK	THICKNESS	PTD	PAINT												
DOORS										FRAMES		THRESHOLD					
NO	TYPE	SIZE	THK.	HWDR SET	FINISH	MAT.	REMARKS	TYPE	MAT.	DETAILS/A800 HEAD	JAMB	REMARKS	RATING	MAT.	DETAILS/A800 SILL	HEIGHT	NO
100	A	3'-0"x6'-8"	1 3/4"	-	S	WD	CLOSER, KICK PLATE, DOOR PULL	1	HM	H1	J1	-	-	-	-	-	100
101	A	3'-0"x6'-8"	1 3/4"	-	S	WD	CLOSER, KICK PLATE, DOOR PULL	1	HM	H1	J1	-	-	-	-	-	101
102	EXISTING	(2) 3'-0"x6'-8"	1 3/4"	-	S	WD	EXISTING, RELOCATED DOOR	1	HM	H1	J1	-	-	-	-	-	102
103	A	3'-0"x6'-8"	1 3/4"	-	S	WD		1	HM	H1	J1	-	-	-	-	-	103
104	EXISTING	3'-0"x6'-8"	1 3/4"	-	S	WD	EXISTING, RELOCATED DOOR	1	HM	H1	J1	-	-	-	-	-	104
105	EXISTING	3'-0"x6'-8"	1 3/4"	-	S	WD	EXISTING, RELOCATED DOOR	1	HM	H1	J1	-	-	-	-	-	105

- ALL HARDWARE TO MATCH EXISTING - W/ LEVER TYPE HANDLE
- PROVIDE BLOCKING FOR ALL HARDWARE
- ALL WOOD DOORS TO HAVE FACTORY FINISH - TO MATCH EXISTING DOORS
- COORDINATE HARDWARE WITH TENANT

**A1 ENLARGED PLAN AT RESTROOMS**

1/4"=1'-0"

**A12 DOOR SCHEDULE**

