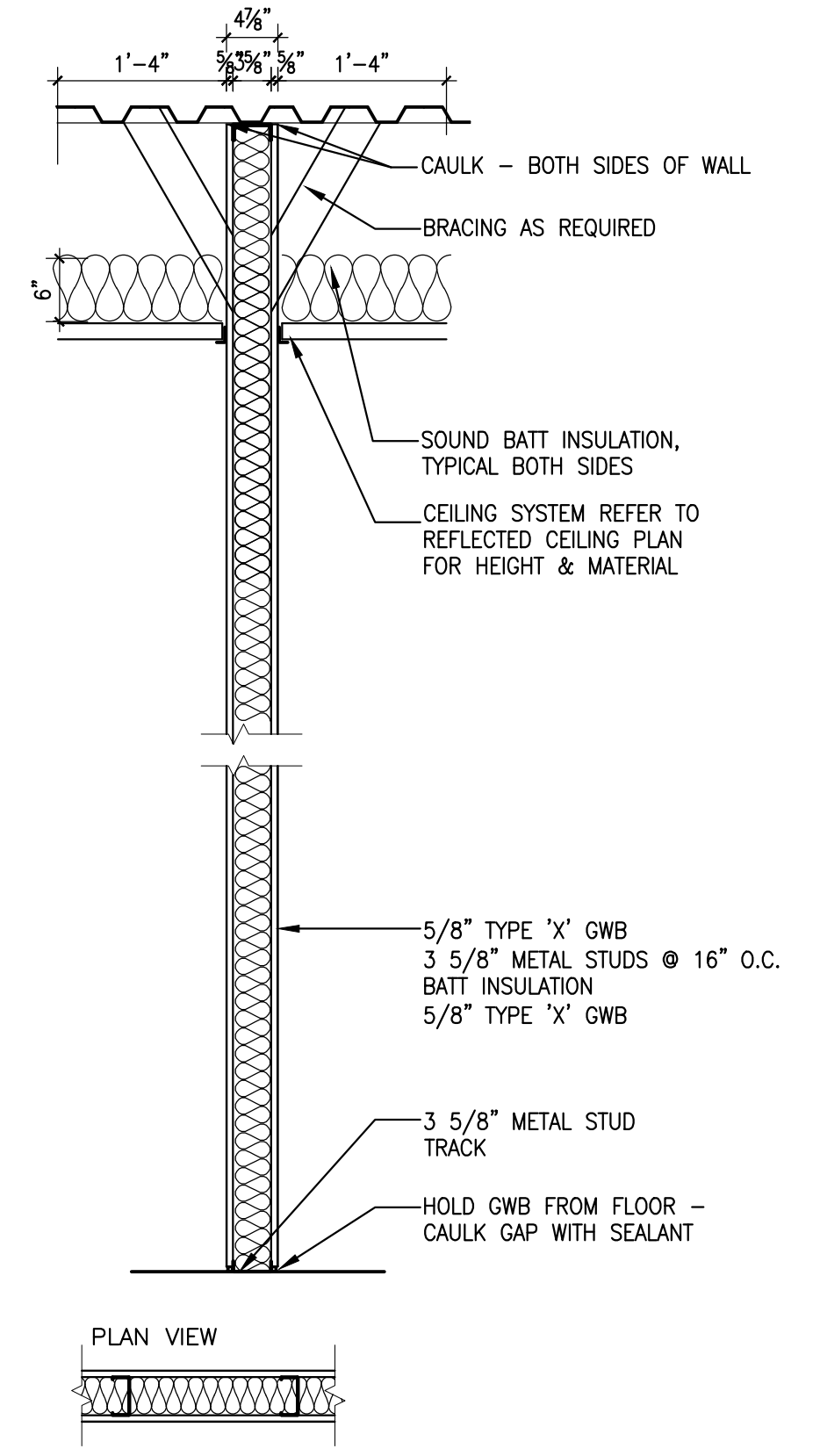


NOTES:
1. SYSTEMS FURNITURE TO HAVE POWER AND DATA PROVIDED THROUGH POWER POLES. COORDINATE WITH SYSTEMS FURNITURE VENDOR.

EXISTING PARTITION TYPES TO REMAIN
NEW PARTITION TYPES



W 1 WALL DETAIL (NON RATED)
SCALE 3/4"=1'-0"

REVISIONS		
#	DATE	DESCRIPTION

DATE:	06-20-16
PROJECT #:	050416
DRAWN BY:	DLP
CHECKED BY:	MET
DRAWING SCALE:	AS NOTED

SHEET TITLE
FIFTH FLOOR PLAN
PARTITION TYPE

A100

