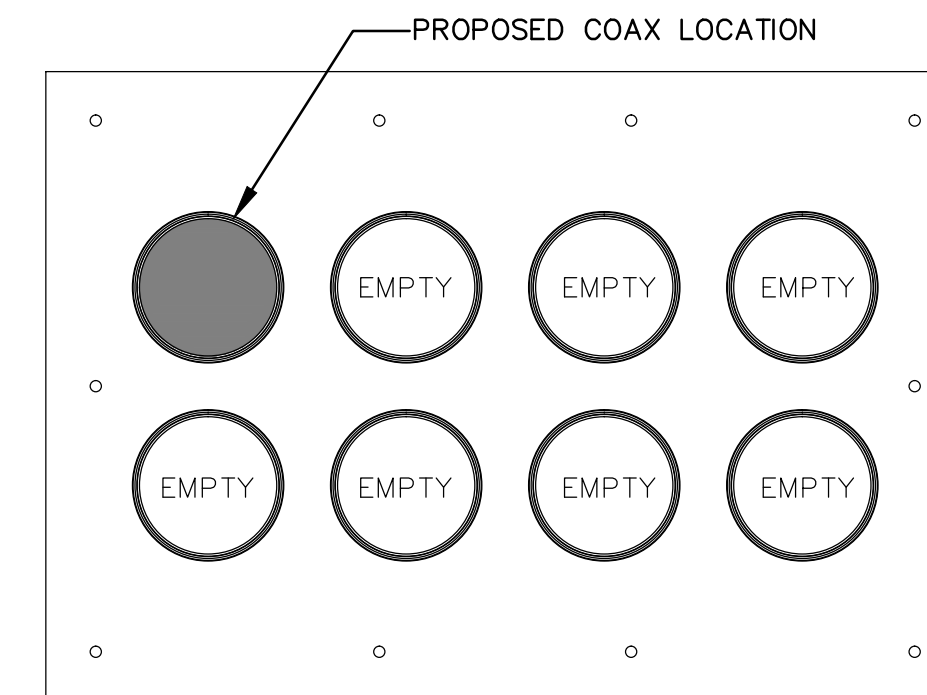
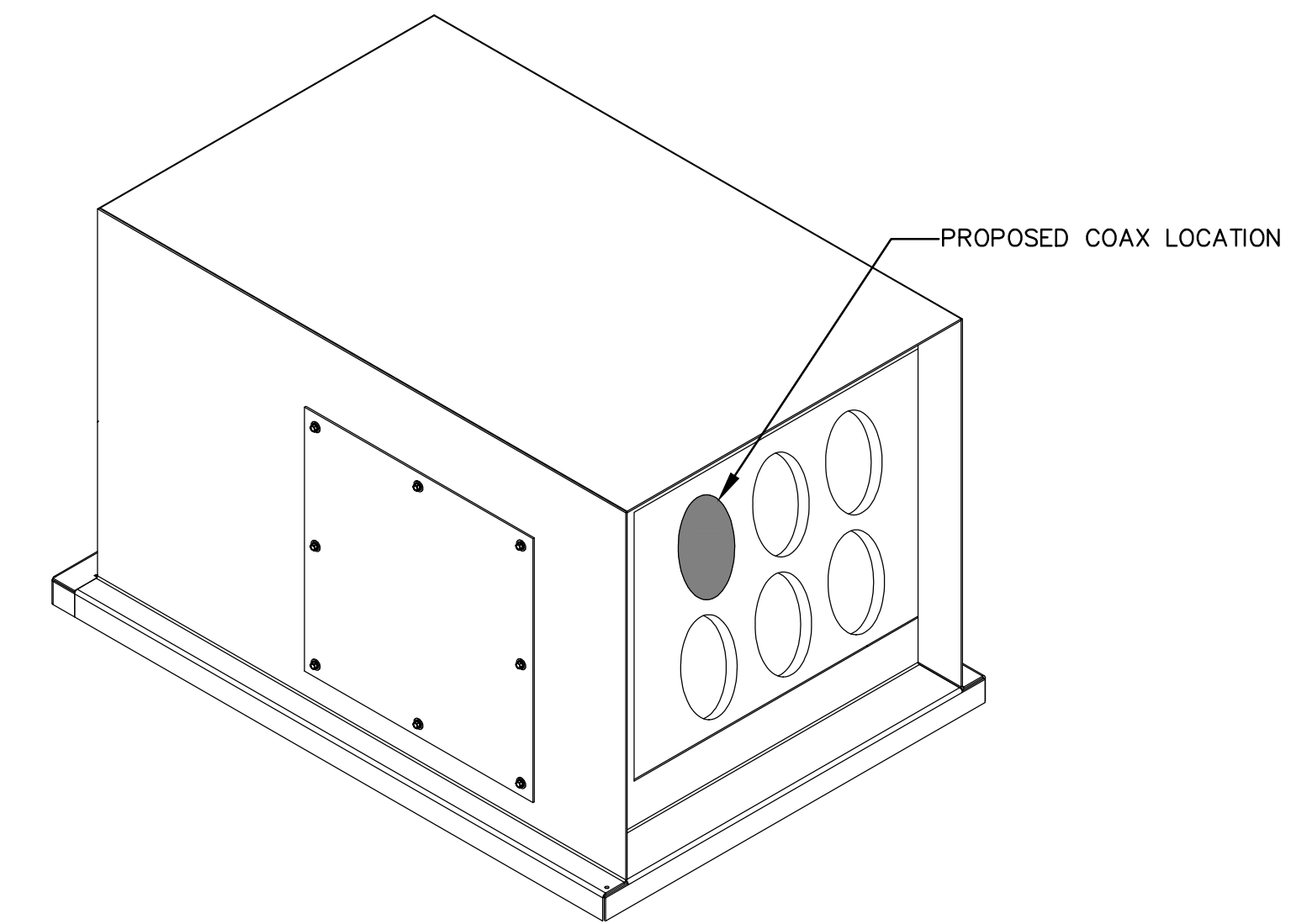


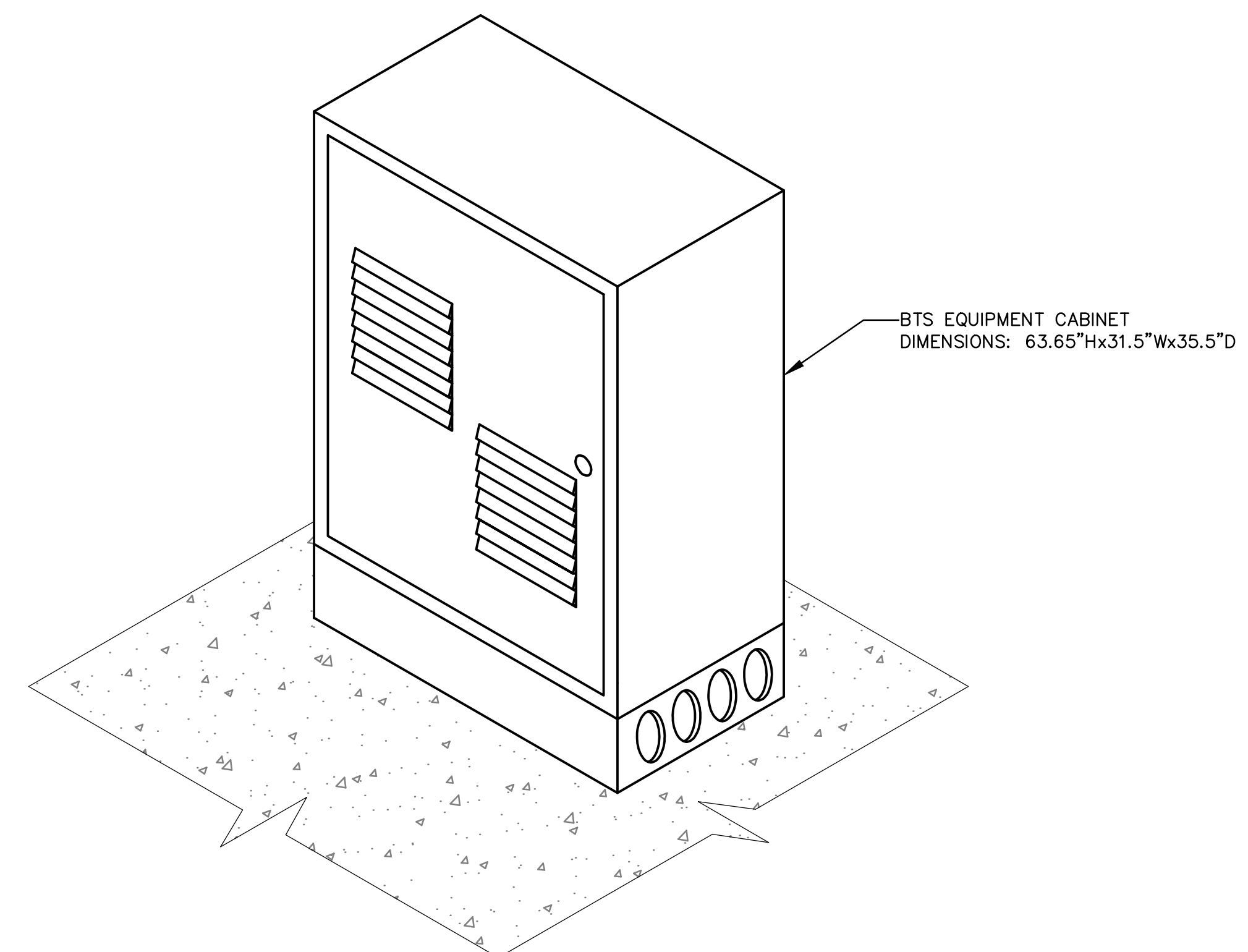
1 EXISTING EQUIPMENT ROOM LAYOUT (14TH FLOOR)
SCALE: 1/2"=1'



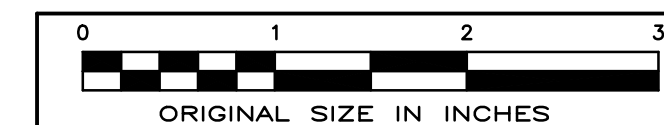
2 EXISTING ENTRY PANEL
SCALE: N.T.S.



3 EXISTING ROOF-TOP HOOD ENTRY -- (ON ROOF)
SCALE: N.T.S.



4 PROPOSED BTS CABINET ELEVATION
SCALE: N.T.S.



TILSON
4944 Ver Plank Road, Clay NY 13041
P: (207) 591-6427 F: (207) 772-3427

amec

511 Congress Street Suite 200, Portland ME 04101
P: (207) 775-5401 F: (207) 772-4762 www.amec.com

APPLICANT:

redZone WIRELESS

SURVEYOR

ENGINEER

FOR COMMENT

PROJECT NO: 3618148398

DRAWN BY: CBM

RELEASED BY: MSD

SUBMITTALS

ONE CITY CENTER

ONE CITY CENTER
PORTLAND, ME 04101

SHEET TITLE

EQUIPMENT ROOM LAYOUT AND DETAILS

SHEET NUMBER

A-4