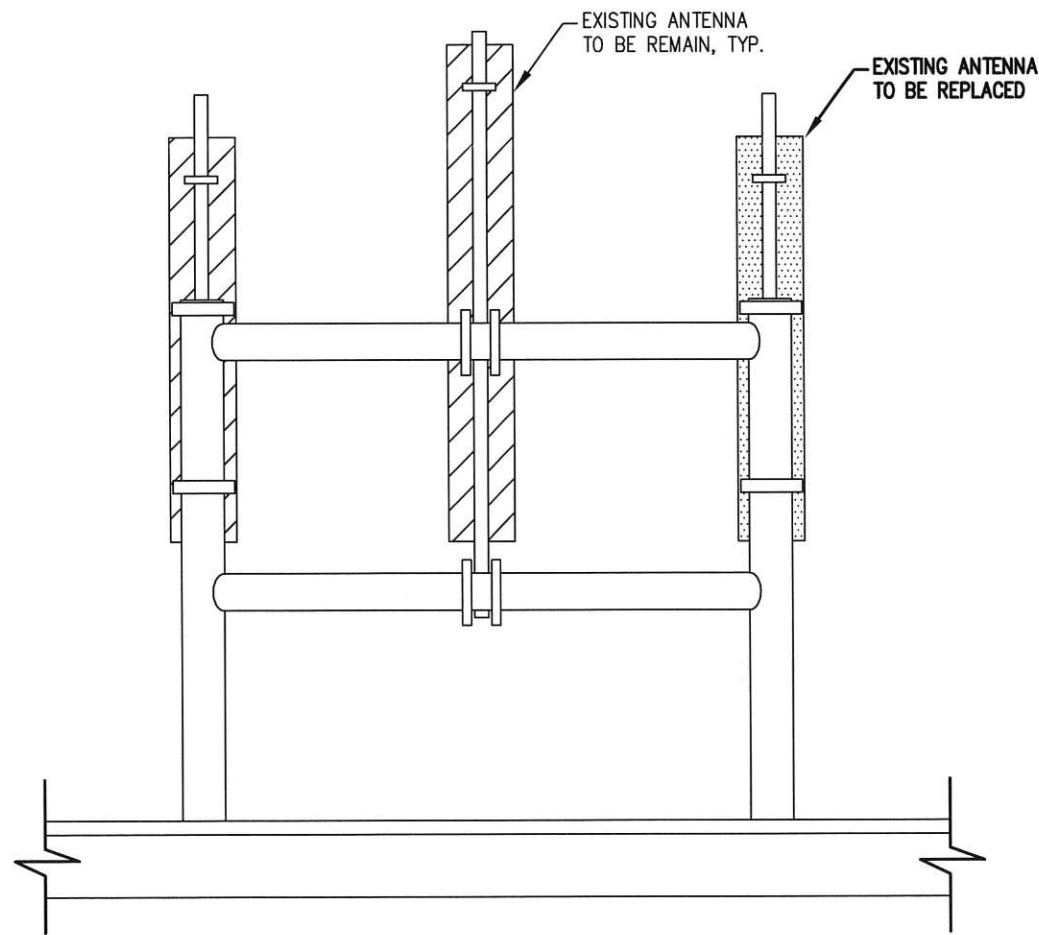


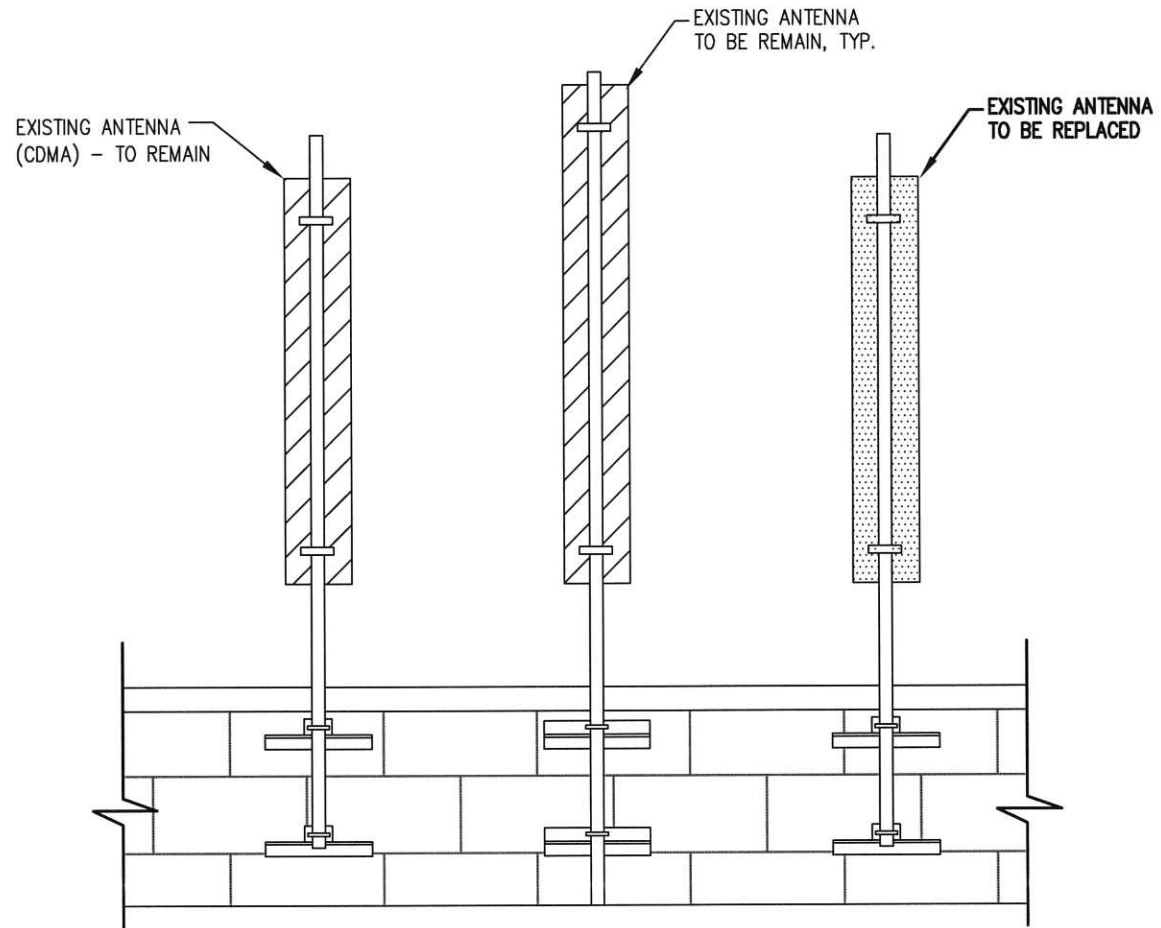
PROPOSED CABLE TRAY CONFIGURATION

SCALE: N.T.S.



EXISTING GAMMA ANTENNA PIPE MOUNT

SCALE: N.T.S.



EXISTING ALPHA AND BETA ANTENNA PARAPET MOUNT

SCALE: N.T.S.

EXISTING ANTENNA/COAX SCHEDULE					
SECTOR	MANUFACTURER (MODEL #)	MOUNTING HEIGHT	AZIMUTH	COAX SIZE	NOTES
ALPHA	RR65-18-VDPL2	Ⓞ 161'-0"	10°	(1) 1 5/8"	ANTENNA TO BE REMOVED, CABLES TO REMAIN AND BE ATTACHED TO EXISTING CDMA ANTENNAS
BETA	RR65-18-VDPL2	Ⓞ 161'-0"	95°	(1) 1 5/8"	
GAMMA	RR65-18-VDPL2	Ⓞ 161'-0"	240°	(1) 1 5/8"	

PROPOSED ANTENNA/COAX SCHEDULE							
SECTOR	TECHNOLOGY	MANUFACTURER (MODEL #)	MOUNTING HEIGHT	AZIMUTH	COAX SIZE	KMW BIAS TEE	COAX LENGTH
ALPHA	LTE BAND 2	WBX045X20R050G	Ⓞ 161'-0"	10°	(2) 1 5/8"	1	20'±
BETA	LTE BAND 2	WBX045X20R050G	Ⓞ 161'-0"	95°	(2) 1 5/8"	1	95'±
GAMMA	LTE BAND 2	WBX045X20R050G	Ⓞ 161'-0"	240°	(2) 1 5/8"	1	165'±

PLEASE REFER TO ONE-LINE DIAGRAM (E-1) FOR WIRING SCHEMATIC

PLANS PREPARED FOR:



PROJECT INFORMATION

853417 - PORTLAND DT
ONE CITY CENTER
PORTLAND, ME 04101
(CUMBERLAND COUNTY)

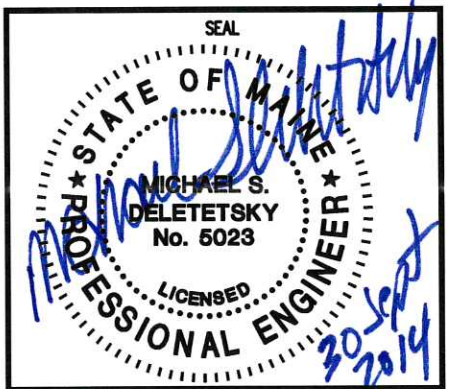
PLANS PREPARED BY:



511 Congress St, Portland ME 04101
P: (207) 828-2623 F: (207) 774-1246 www.amec.com

PROJECT COORDINATION & MANAGEMENT:

KJK Wireless, LLC
127 Ridge Road, Nashua, NH 03062
Phone: (603) 888-8974



REV	DATE	ISSUED FOR
1	9/30/14	ISSUED FOR CONSTRUCTION

PROJECT NO: 3618148348

DRAWN BY: CBM

RELEASED BY: MSD

SHEET TITLE

**ANTENNA MOUNTING
DETAILS AND COAX
LAYOUT**

SHEET NUMBER

C-4

REVISION:

0