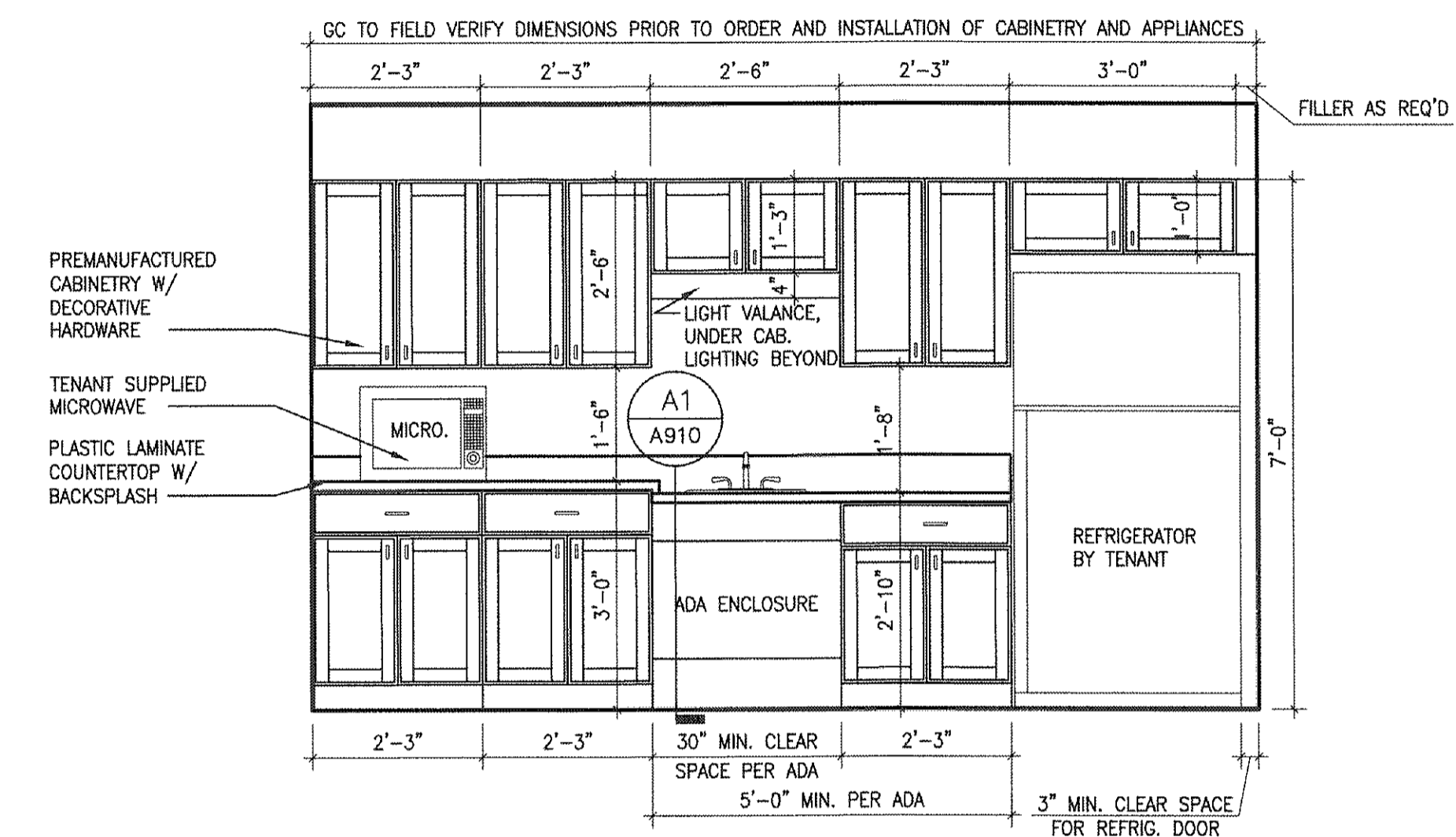


REVISIONS		
#	DATE	DESCRIPTION

DATE:	08.07.13
PROJECT #:	010613
DRAWN BY:	DLP
CHECKED BY:	MET
DRAWING SCALE:	

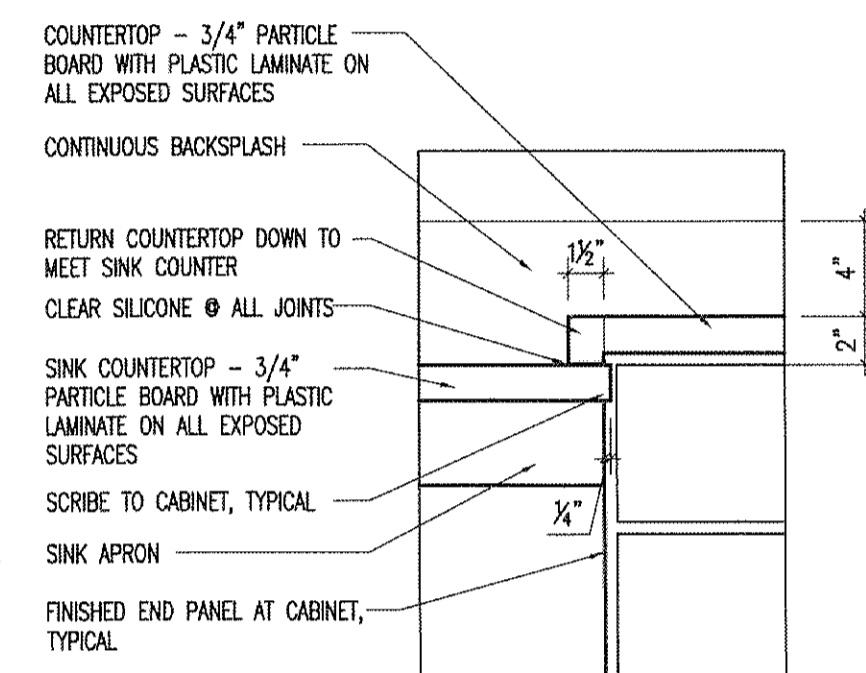
SHEET TITLE
INTERIOR ELEVATIONS
INTERIOR DETAILS

A910



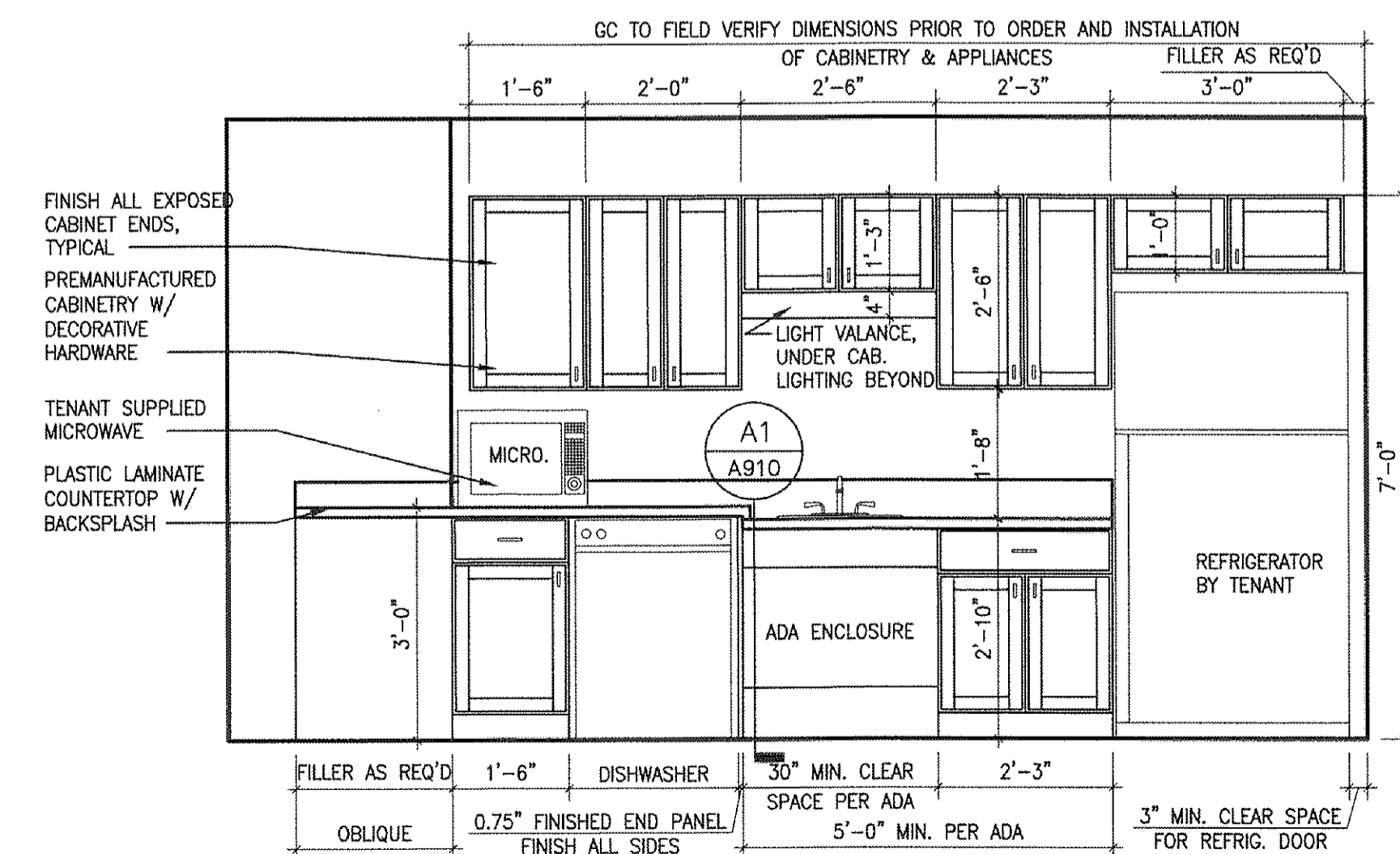
H14 SERVERY 104

1/2"=1'-0"



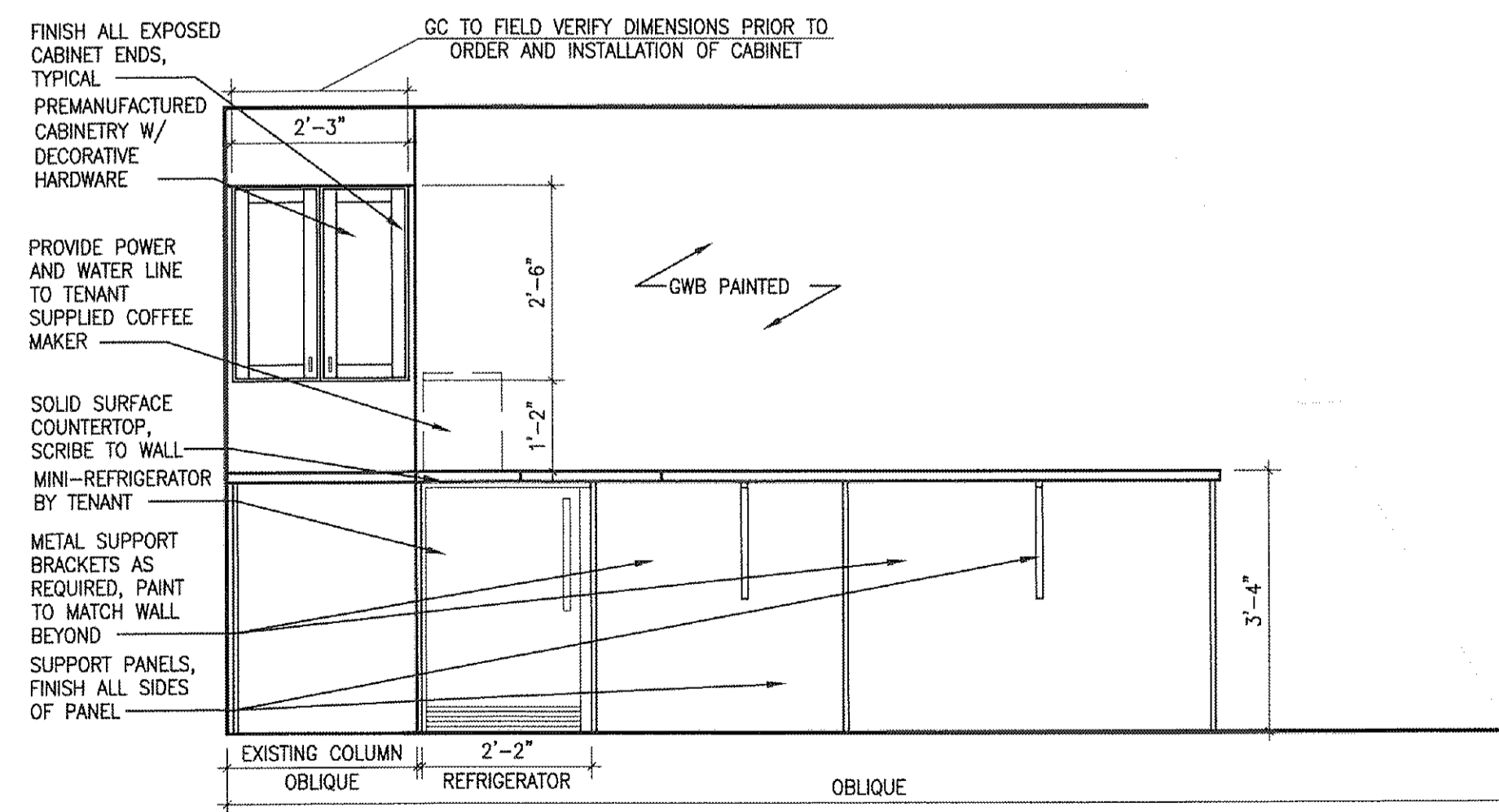
H8 COUNTERTOP DETAIL

1/2"=1'-0"



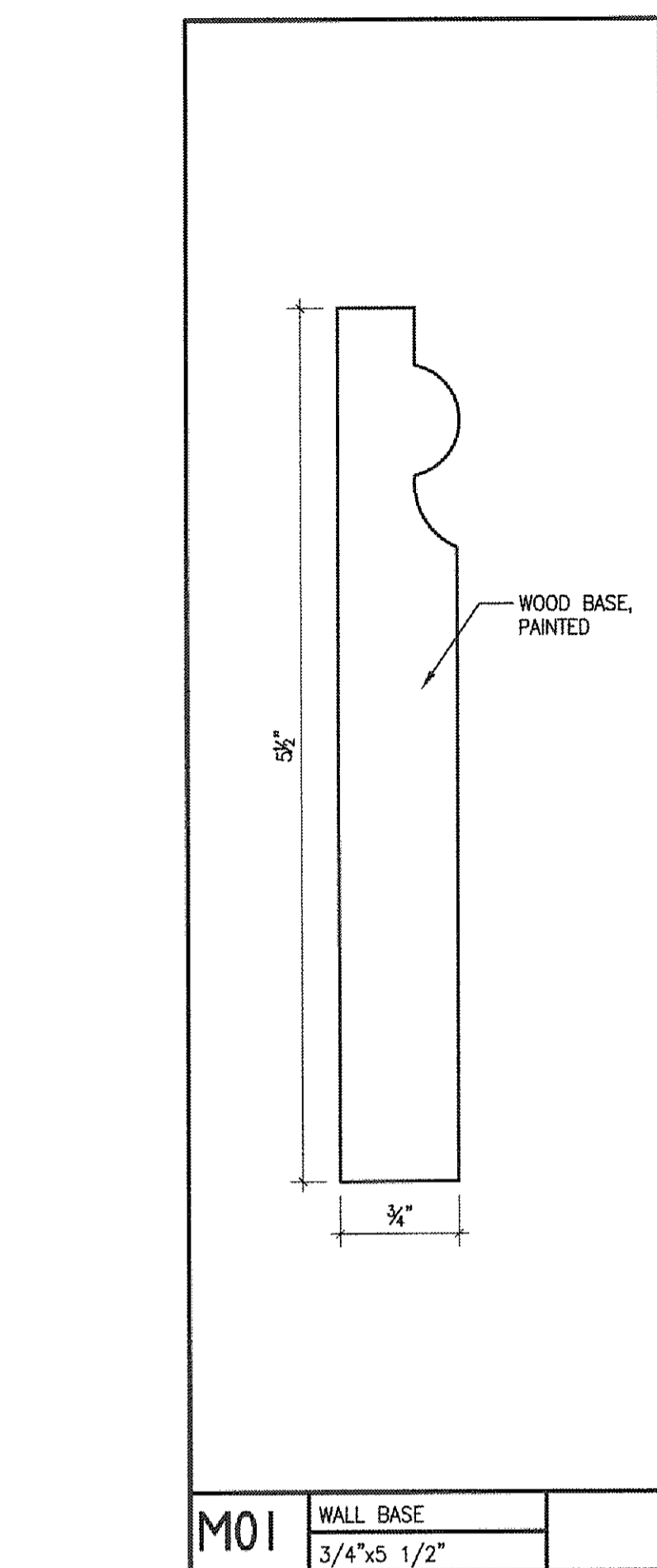
A14 CAFE 102

1/2"=1'-0"



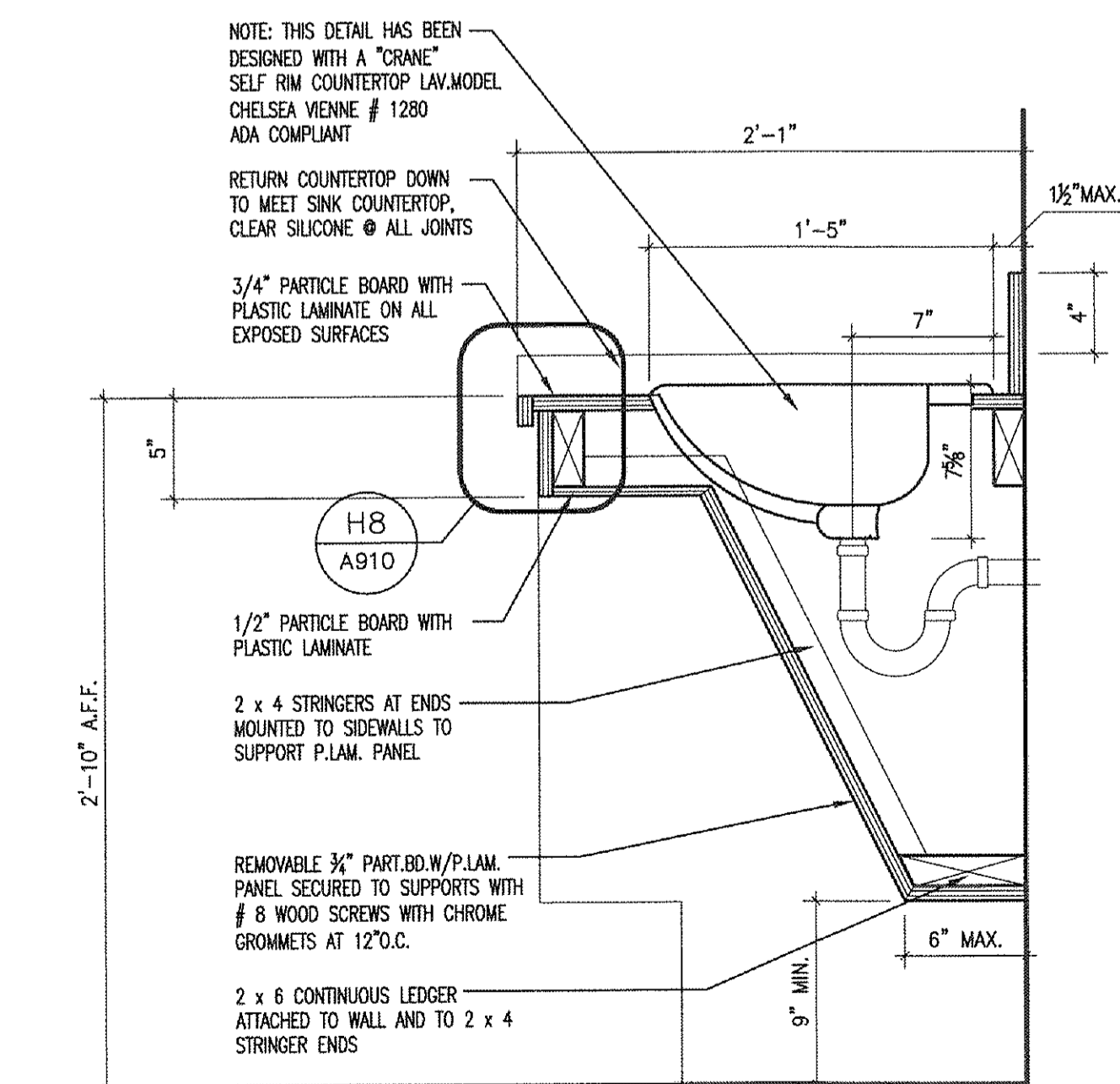
A8 COFFEE BAR 117

1/2"=1'-0"



H1 MOULDING PROFILE

1'-0"=1'-0"



A1 ADA SINK ENCLOSURE DETAIL

1/2"=1'-0"