

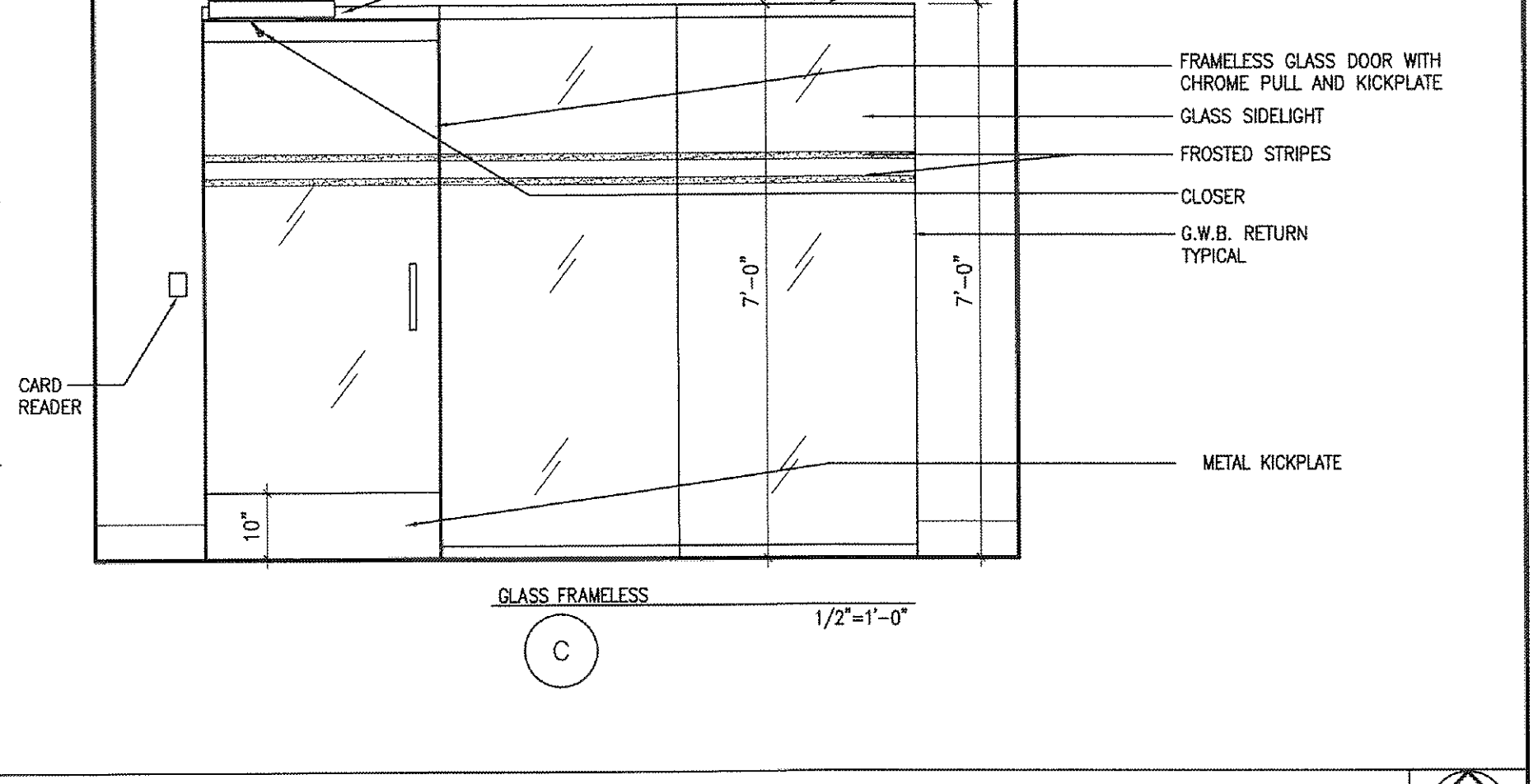
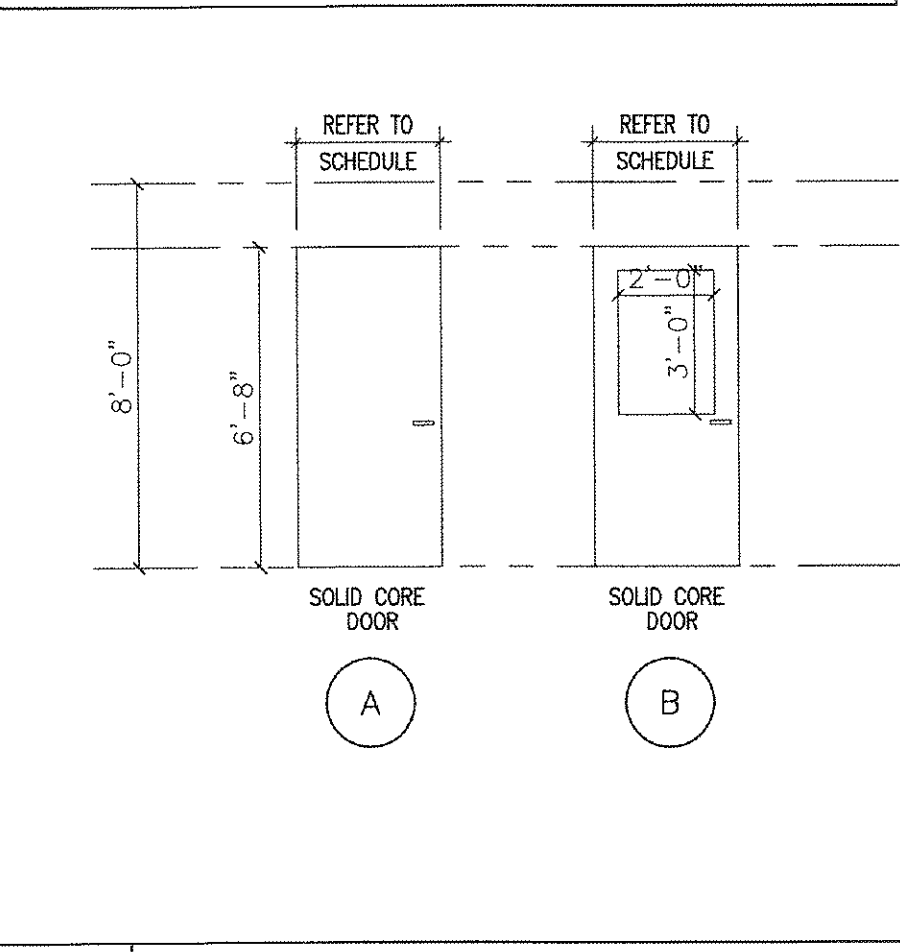
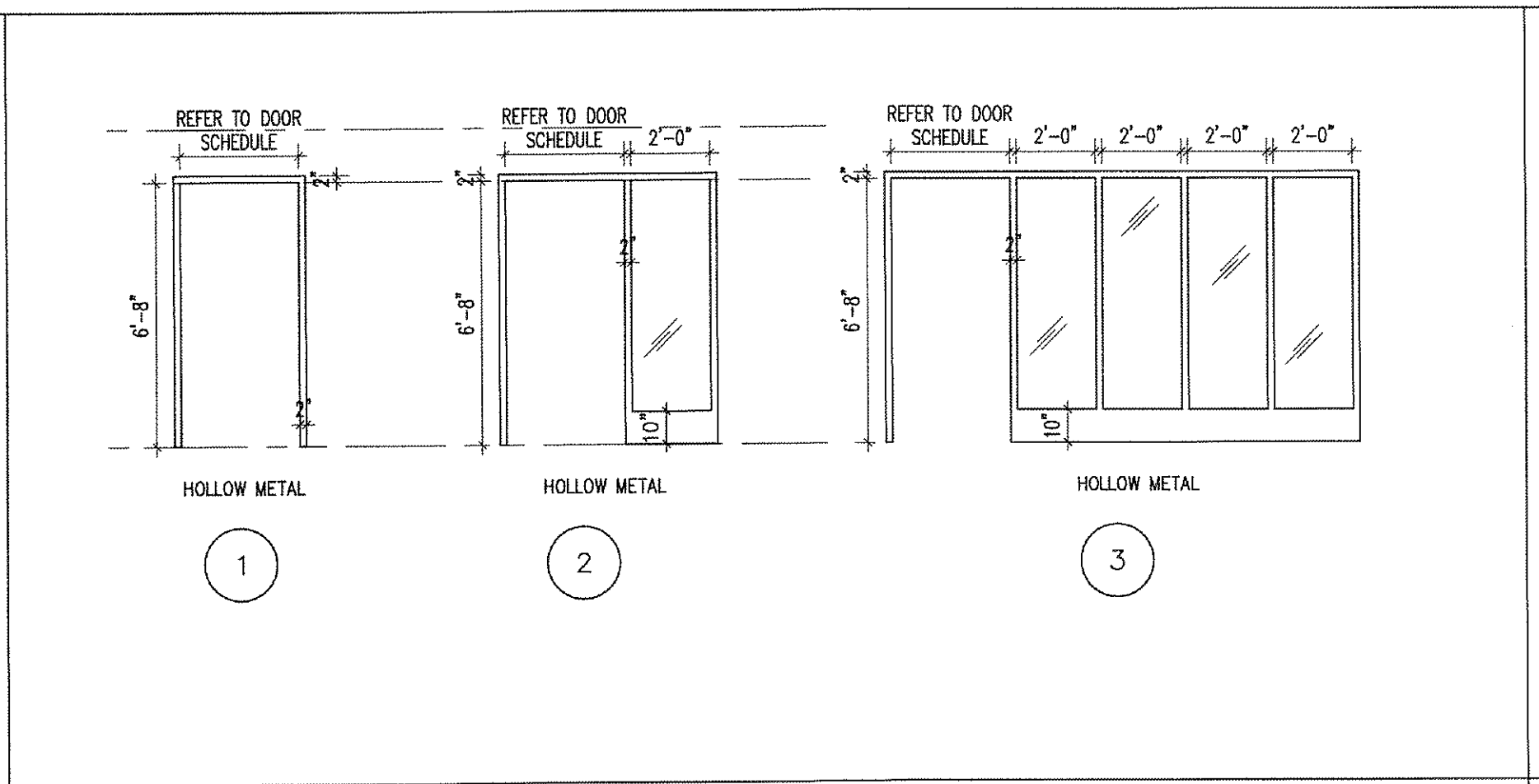
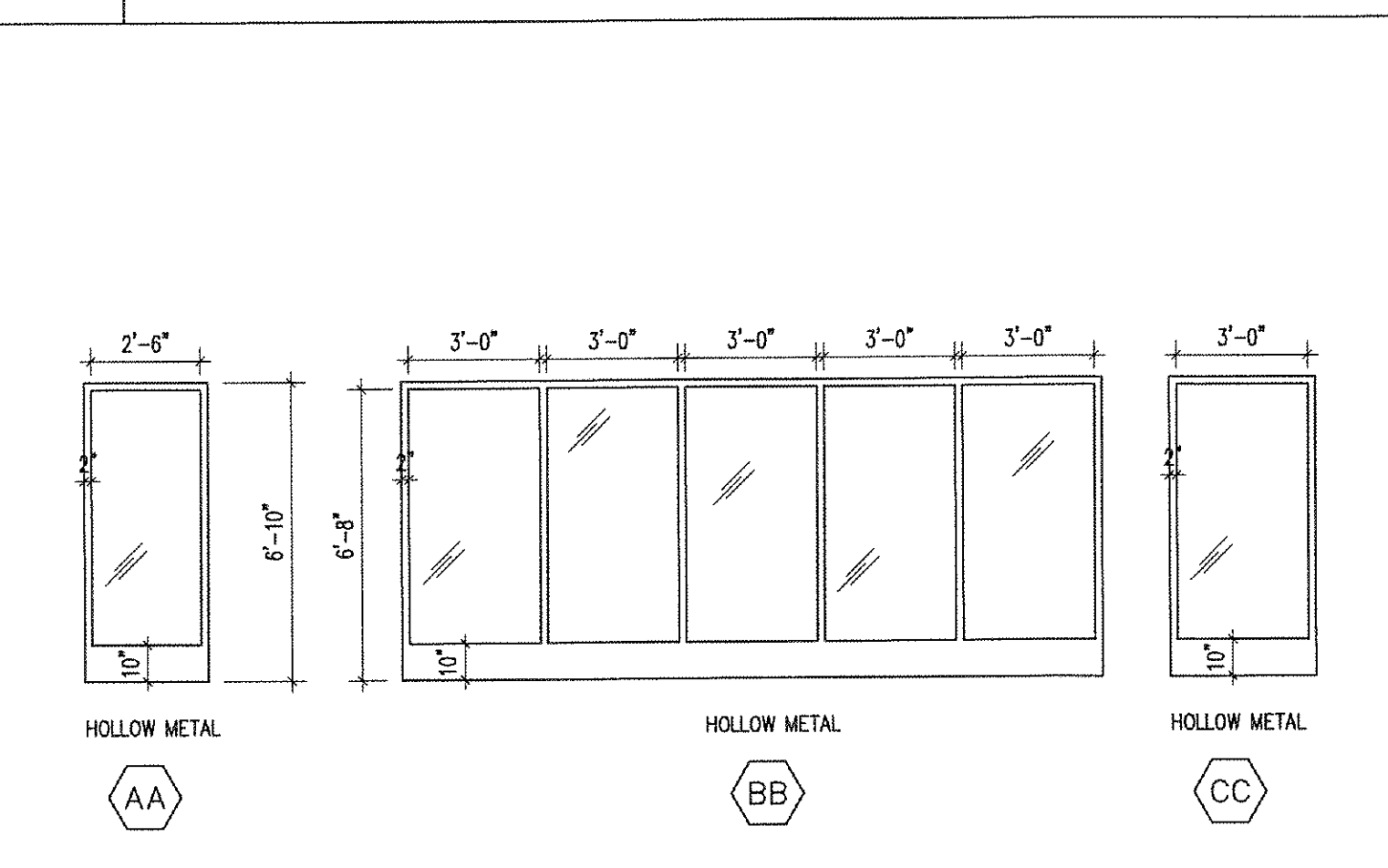
DOOR SCHEDULE

DOOR SCHEDULE ABBREVIATIONS														
EHO	ELECTRO. HOLD OPENER	NO	NUMBER	WD	WOOD (SOLID)									
HM	HOLLOW METAL	ES	ELECTRIC STRIKE	WG	WIRE GLASS									
INS	INSULATE	TEMP	TEMPERED	S	STAIN									
MTL	METAL	THK	THICKNESS	PTD	PAINT									

DOORS										FRAMES				THRESHOLD			NO	
NO	TYPE	SIZE	THK.	HDR/SET	FINISH	MAT.	REMARKS	TYPE	MAT.	DETAILS/A800	DETAILS/A800	DETAILS/A800	DETAILS/A800	RATING	MAT.	SILL		HEIGHT
100A	C	9'-0"x7'-0"	1"	-	TEMPERED	AL	CLOSER, PANIC HARDWARE, LOCK, CARD ACCESS	-	-	-	-	-	-	-	-	-	-	100A
100B	B	3'-0"x6'-8"	1 3/4"	-	PTD.	WD	CLOSER, PANIC HARDWARE	1	HM	H1	J1	-	-	-	-	-	-	100B
101	A	(2) 3'-0"x6'-8"	1 3/4"	-	PTD.	WD		1	HM	H1	J1	-	-	-	-	-	-	101
102	B	3'-0"x6'-8"	1 3/4"	-	PTD.	WD		2	HM	H1	J1	-	-	-	-	-	-	102
103		NOT USED																103
104	A	3'-0"x6'-8"	1 3/4"	-	PTD.	WD	LOCK	1	HM	H1	J1	-	-	-	-	-	-	104
105	A	3'-0"x6'-8"	1 3/4"	-	PTD.	WD		2	HM	H1	J1	-	-	-	-	-	-	105
106	A	3'-0"x6'-8"	1 3/4"	-	PTD.	WD	CLOSER, CARD ACCESS, LOCK	1	HM	H1	J1	-	-	-	-	-	-	106
107	A	3'-0"x6'-8"	1 3/4"	-	PTD.	WD	LOCK	1	HM	H1	J1	-	-	-	-	-	-	107
108	A	3'-0"x6'-8"	1 3/4"	-	PTD.	WD	CLOSER, CARD ACCESS, LOCK	1	HM	H1	J1	-	-	-	-	-	-	108
109		NOT USED																109
110	A	3'-0"x6'-8"	1 3/4"	-	PTD.	WD	LOCK	1	HM	H1	J1	-	-	-	-	-	-	110
111	A	3'-0"x6'-8"	1 3/4"	-	PTD.	WD	LOCK	1	HM	H1	J1	-	-	-	-	-	-	111
112A	B	3'-0"x6'-8"	1 3/4"	-	PTD.	WD		1	HM	H1	J1	-	-	-	-	-	-	112A
112B	A	3'-0"x6'-8"	1 3/4"	-	PTD.	WD		1	HM	H1	J1	-	-	-	-	-	-	112B
113	A	3'-0"x6'-8"	1 3/4"	-	PTD.	WD		1	HM	H1	J1	-	-	-	-	-	-	113
114	A	3'-0"x6'-8"	1 3/4"	-	PTD.	WD	LOCK	1	HM	H1	J1	-	-	-	-	-	-	114
115		NOT USED																115
116	A	3'-0"x6'-8"	1 3/4"	-	PTD.	WD	LOCK	2	HM	H1	J1	-	-	-	-	-	-	116
117		NOT USED																117
118	A	3'-0"x6'-8"	1 3/4"	-	PTD.	WD	LOCK	2	HM	H1	J1	-	-	-	-	-	-	118
119	A	3'-0"x6'-8"	1 3/4"	-	PTD.	WD	LOCK	2	HM	H1	J1	-	-	-	-	-	-	119
120	A	3'-0"x6'-8"	1 3/4"	-	PTD.	WD	LOCK	2	HM	H1	J1	-	-	-	-	-	-	120
121		NOT USED																121
122	A	3'-0"x6'-8"	1 3/4"	-	PTD.	WD	LOCK	1	HM	H1	J1	-	-	-	-	-	-	122
123		NOT USED																123
124	A	3'-0"x6'-8"	1 3/4"	-	PTD.	WD	LOCK	2	HM	H1	J1	-	-	-	-	-	-	124
125	A	3'-0"x6'-8"	1 3/4"	-	PTD.	WD	LOCK	2	HM	H1	J1	-	-	-	-	-	-	125
126	A	3'-0"x6'-8"	1 3/4"	-	PTD.	WD	LOCK	2	HM	H1	J1	-	-	-	-	-	-	126
127	A	3'-0"x6'-8"	1 3/4"	-	PTD.	WD	LOCK	3	HM	H1	J1	-	-	-	-	-	-	127
128	A	3'-0"x6'-8"	1 3/4"	-	PTD.	WD	LOCK	2	HM	H1	J1	-	-	-	-	-	-	128
129		NOT USED																129
130	A	3'-0"x6'-8"	1 3/4"	-	PTD.	WD	LOCK	2	HM	H1	J1	-	-	-	-	-	-	130
131	A	3'-0"x6'-8"	1 3/4"	-	PTD.	WD	LOCK	2	HM	H1	J1	-	-	-	-	-	-	131
132	A	3'-0"x6'-8"	1 3/4"	-	PTD.	WD	LOCK, CLOSER, PANIC HARDWARE	1	HM	H1	J1	-	-	-	-	-	-	132
133	A	3'-0"x6'-8"	1 3/4"	-	PTD.	WD	LOCK	2	HM	H1	J1	-	-	-	-	-	-	133
134	A	3'-0"x6'-8"	1 3/4"	-	PTD.	WD	LOCK	2	HM	H1	J1	-	-	-	-	-	-	134
135	A	3'-0"x6'-8"	1 3/4"	-	PTD.	WD	LOCK, CLOSER	1	HM	H1	J1	-	-	-	-	-	-	135
136		NOT USED																136
137A	A	3'-0"x6'-8"	1 3/4"	-	PTD.	WD	CLOSER, PANIC HARDWARE	1	HM	H1	J1	-	-	-	-	-	-	137A
137B	A	3'-0"x6'-8"	1 3/4"	-	PTD.	WD		1	HM	H1	J1	-	-	-	-	-	-	137B

1. ALL HARDWARE TO BE US26D FINISH - W/ LEVER TYPE HANDLE
2. PROVIDE BLOCKING FOR ALL HARDWARE
3. PAINT ALL INTERIOR HOLLOW METAL FRAMES P1
4. PAINT ALL WOOD DOORS P1
5. COORDINATE HARDWARE WITH TENANT

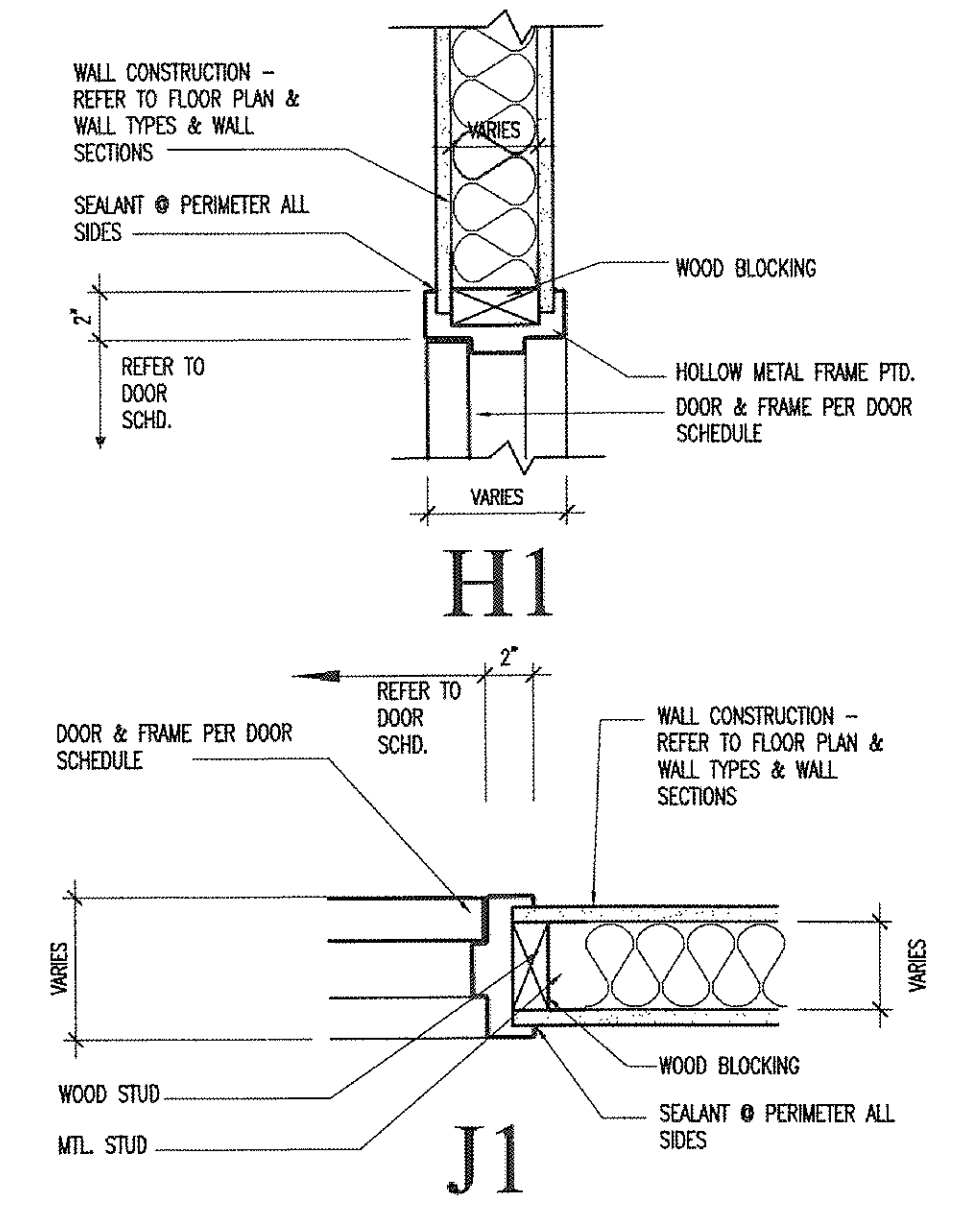
EI DOOR SCHEDULE



AI WINDOW TYPES

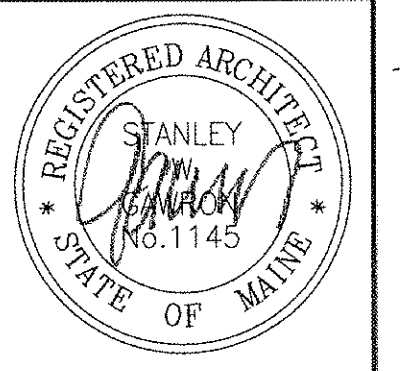
A6 FRAME TYPES

A12 DOOR TYPES



F15 FRAME DETAILS

1/2"=1'-0"



Gawron Turgeon ARCHITECTS
 29 Black Point Road
 Scarborough, Maine 04074
 www.gawronturgeon.com
 207-883-6307 ext 207-883-0361 fax

MainePERS
 ONE CITY CENTER-8TH FLOOR
 PORTLAND, MAINE

REVISIONS		
#	DATE	DESCRIPTION

DATE	08.07.13
PROJECT #	010613
DRAWN BY:	DLP
CHECKED BY:	MET
DRAWING SCALE	

SHEET TITLE
 DOOR SCHEDULE
 DOOR AND FRAME
 TYPES

A800

© COPYRIGHT 1985-2008
 REPRODUCTION OR USE OF THIS
 DOCUMENT WITHOUT WRITTEN
 PERMISSION OF GAWRON TURGEON
 ARCHITECTS IS PROHIBITED.

