

ANTENNA MOUNTING DETAIL (GAMMA SECTOR)

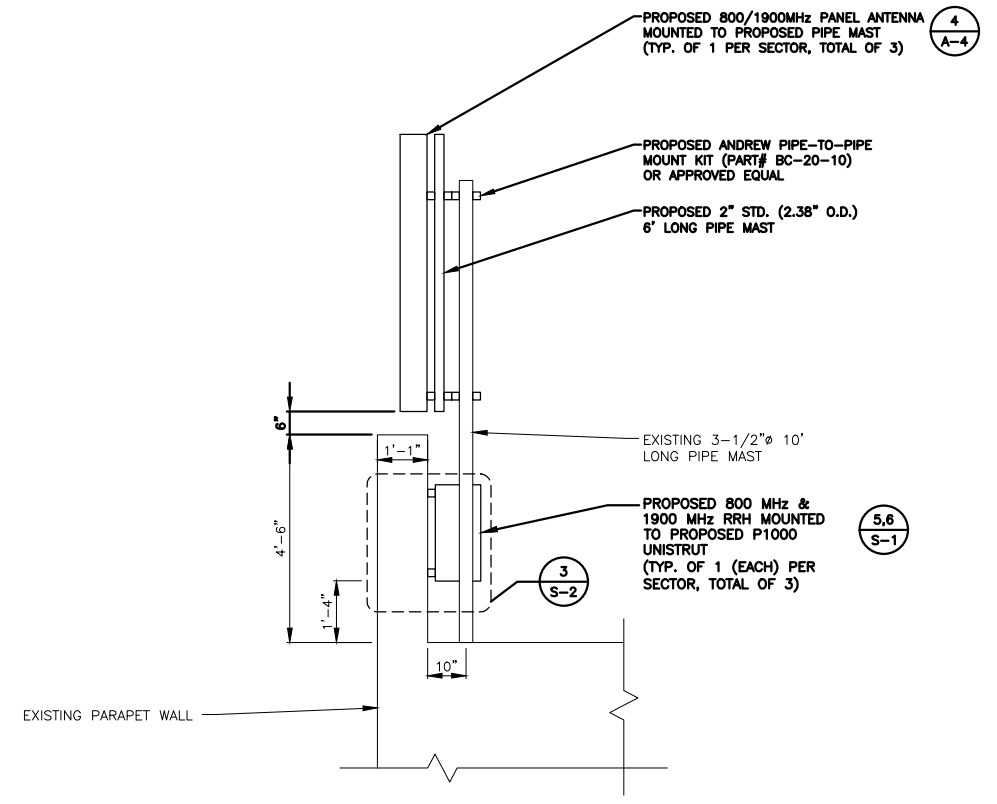
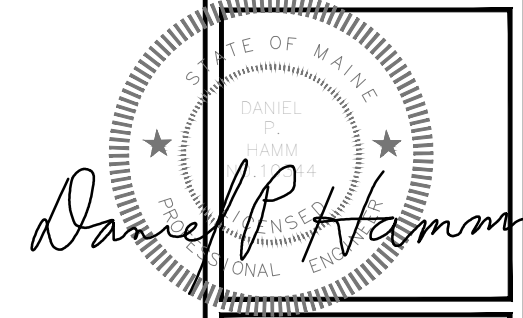
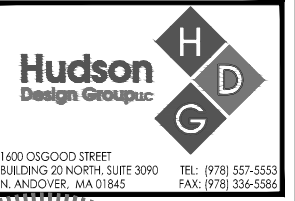
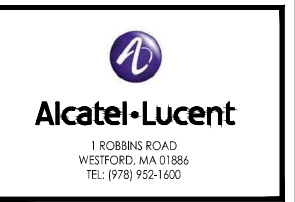
SCALE: 1/2" = 1'-0" (1/S-2)



- NOTES:**
- 1) PROPOSED EQUIPMENT TO BE MOUNTED PER MANUFACTURERS SPECIFICATIONS.
 - 2) CONTRACTOR TO VERIFY THAT THERE IS SUFFICIENT ROOM BEHIND PROPOSED ANTENNAS FOR PROPOSED RRH'S TO BE LOCATED WITHOUT CONFLICTING WITH OTHER PROPOSED RRHS/MOUNTING PIPES ON ADJACENT SECTORS.
 - 3) VERIFY EXACT RRH AND ANTENNA MODEL & AZIMUTHS WITH RF ENGINEER PRIOR TO INSTALLATION.
 - 4) RRH LOCATION ONLY SHOWN AS REFERENCE. CONTRACTOR TO CONFIGURE RRH'S AS NEED TO MEET PROPOSED REQUIREMENTS.

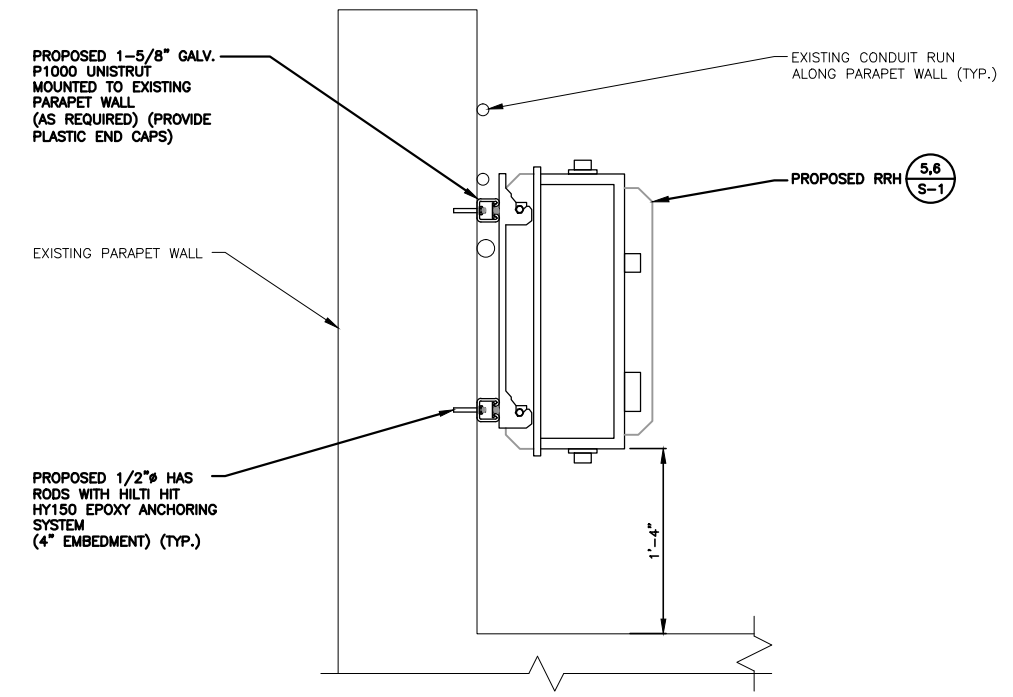
STRUCTURAL NOTE:

STRUCTURAL INFORMATION TAKEN FROM STRUCTURAL ANALYSIS PERFORMED BY HUDSON DESIGN GROUP, LLC. DATED: DECEMBER 20, 2012



ANTENNA MOUNTING ELEVATION (GAMMA SECTOR)

SCALE: 1/2" = 1'-0" (2/S-2)



RRH MOUNTING DETAIL (GAMMA SECTOR)

SCALE: 1-1/2" = 1'-0" (3/S-2)



CHECKED BY: JX

APPROVED BY: DPH

SUBMITTALS			
REV.	DATE	DESCRIPTION	BY
3	05/20/13	FOR CONSTRUCTION	BR
2	05/03/13	FOR CONSTRUCTION	SR
1	04/08/13	ISSUED FOR REVIEW	SF

SITE NUMBER:
NM03XC067

SITE NAME:
ONE CITY CENTER

SITE ADDRESS:
ONE CITY CENTER
PORTLAND, ME 04101

SHEET TITLE
STRUCTURAL
DETAILS

SHEET NUMBER
S-2