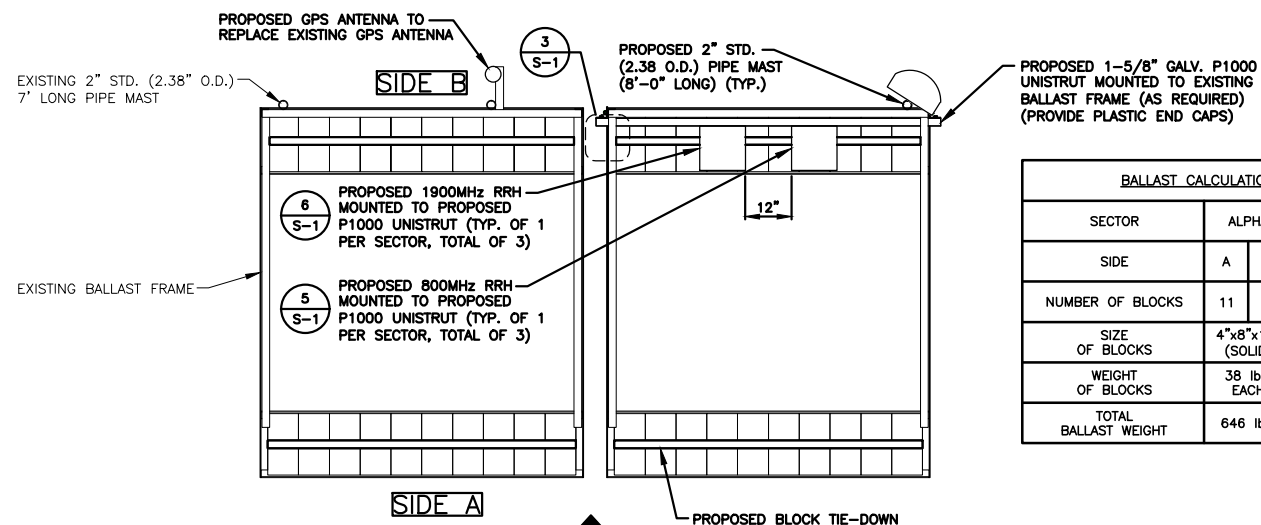


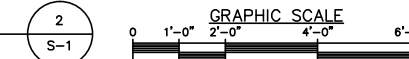
RRH ELEVATION (ALPHA AND BETA SECTORS)

SCALE: 1/2" = 1'-0"

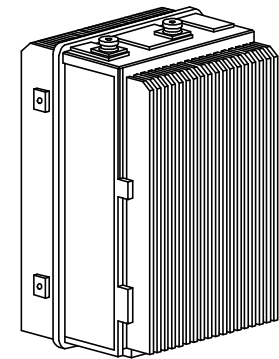


RRH PLAN (ALPHA AND BETA SECTORS)

SCALE: 1/2" = 1'-0"



BALLAST CALCULATIONS				
SECTOR	ALPHA		BETA	
SIDE	A	B	A	B
NUMBER OF BLOCKS	11	6	11	6
SIZE OF BLOCKS	4"x8"x16" (SOLID)		4"x8"x16" (SOLID)	
WEIGHT OF BLOCKS	38 lbs. EACH		38 lbs. EACH	
TOTAL BALLAST WEIGHT	646 lbs.		646 lbs.	

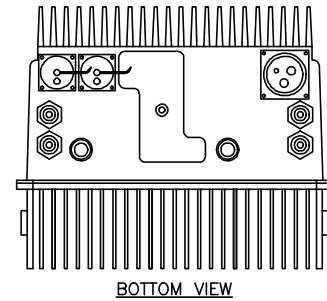


800MHz RRH

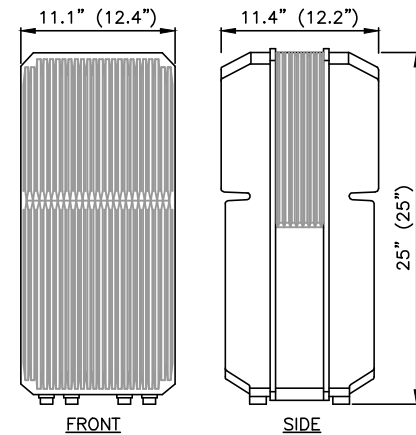
SCALE: N.T.S.

800MHz RRH WEIGHT: 53 LBS
800MHz NOTCH FILTER WEIGHT: 11 LBS

DIMENSIONS:
800MHz RRH: 15.8"Hx13"Wx10"D
800MHz NOTCH FILTER: 9"Hx9"Wx4"D



BOTTOM VIEW



FRONT **SIDE**

DIMENSIONS WITHIN PARENTHESES ARE FOR THE OPTIONAL SOLAR SHIELD
1900MHz RRH WEIGHT: 60 LBS

1900MHz RRH

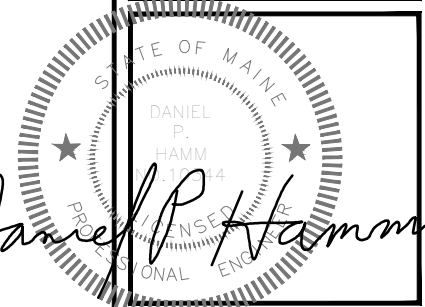
SCALE: N.T.S.

5.6 S-1

- NOTES:**
- 1) PROPOSED EQUIPMENT TO BE MOUNTED PER MANUFACTURERS SPECIFICATIONS.
 - 2) CONTRACTOR TO VERIFY THAT THERE IS SUFFICIENT ROOM BEHIND PROPOSED ANTENNAS FOR PROPOSED RRH'S TO BE LOCATED WITHOUT CONFLICTING WITH OTHER PROPOSED RRHS/MOUNTING PIPES ON ADJACENT SECTORS.
 - 3) VERIFY EXACT RRH AND ANTENNA MODEL & AZIMUTHS WITH RF ENGINEER PRIOR TO INSTALLATION.
 - 4) RRH LOCATION ONLY SHOWN AS REFERENCE. CONTRACTOR TO CONFIGURE RRH'S AS NEED TO MEET PROPOSED REQUIREMENTS.

STRUCTURAL NOTE:

STRUCTURAL INFORMATION TAKEN FROM STRUCTURAL ANALYSIS PERFORMED BY HUDSON DESIGN GROUP, LLC. DATED: DECEMBER 20, 2012



CHECKED BY: JX

APPROVED BY: DPH

SUBMITTALS			
REV.	DATE	DESCRIPTION	BY
3	05/20/13	FOR CONSTRUCTION	BR
2	05/03/13	FOR CONSTRUCTION	SR
1	04/08/13	ISSUED FOR REVIEW	SF

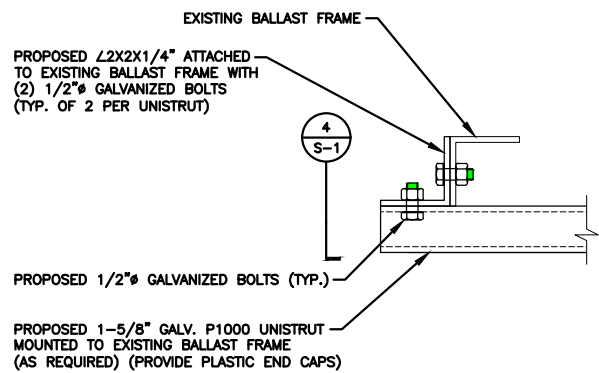
SITE NUMBER:
NM03XC067

SITE NAME:
ONE CITY CENTER

SITE ADDRESS:
ONE CITY CENTER
PORTLAND, ME 04101

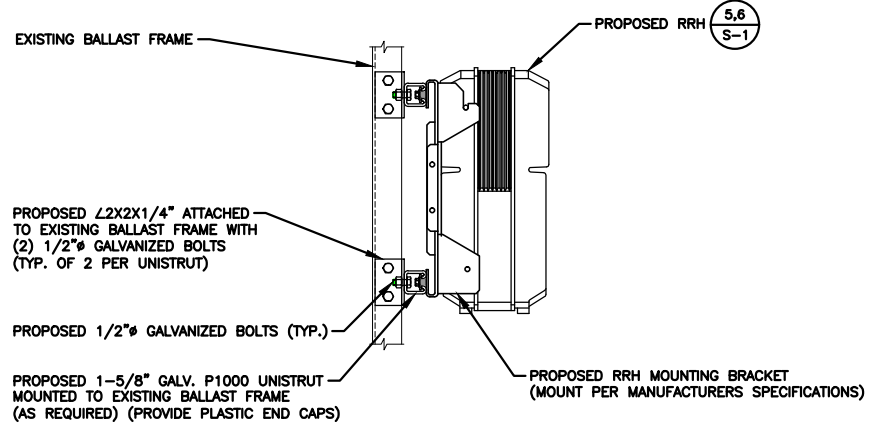
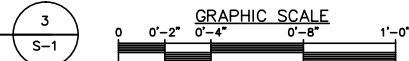
SHEET TITLE
STRUCTURAL DETAILS

SHEET NUMBER
S-1



CONNECTION DETAIL

SCALE: 3"=1'-0"



CONNECTION DETAIL

SCALE: 1-1/2"=1'-0"

