

NOTE:  
UTILIZE EXISTING BTS  
CABINET WITH RETROFIT KIT

NOTE:  
EQUIPMENT SHALL  
BE ANCHORED PER  
MANUFACTURERS  
SPECIFICATIONS.

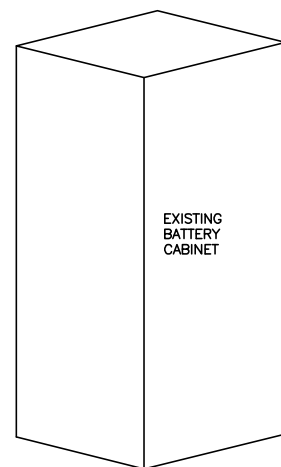
LEFT SIDE VIEW

FRONT VIEW

**EXISTING BTS CABINET**

SCALE: N.T.S.

1  
A-3



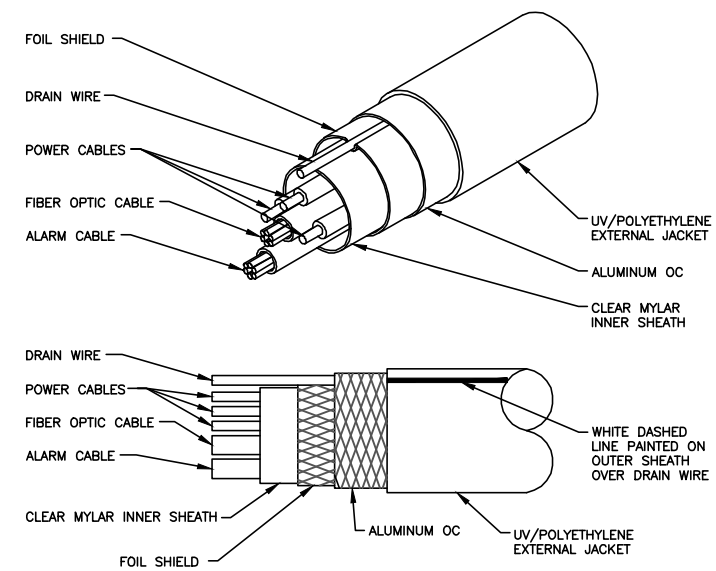
EXISTING  
BATTERY  
CABINET

NOTE:  
EXISTING BATTERY CABINET TO  
REMAIN. TEST AND REFRESH  
BATTERIES AS REQUIRED.

**EXISTING BATTERY BACK-UP CABINET**

SCALE: N.T.S.

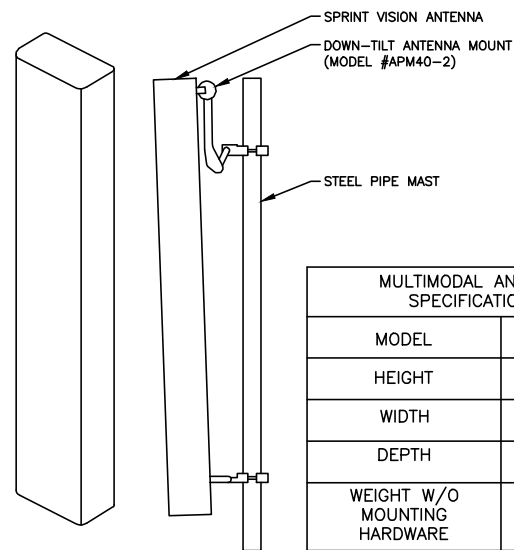
2  
A-3



**HYBRIFLEX CABLE DETAIL**

SCALE: N.T.S.

3  
A-4

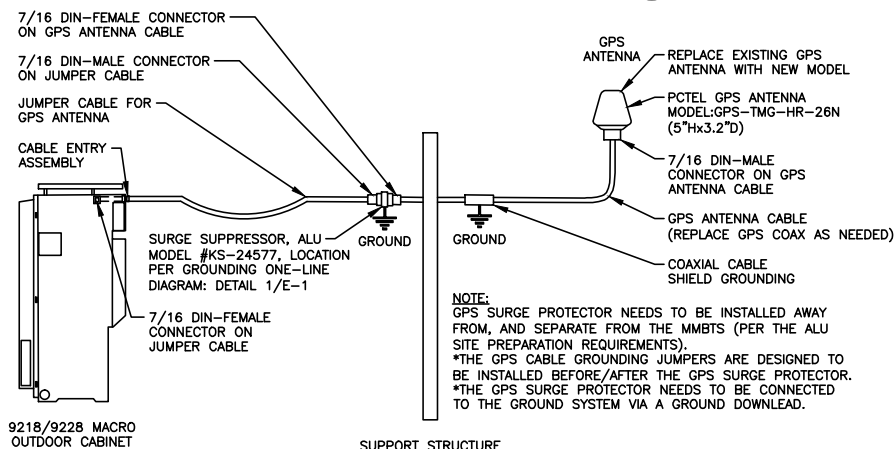


MULTIMODAL ANTENNA SPECIFICATIONS	
MODEL	APXVSP18 -C-A20
HEIGHT	72"
WIDTH	11.8"
DEPTH	7"
WEIGHT W/O MOUNTING HARDWARE	57lbs

**MULTIMODAL ANTENNA DETAIL**

SCALE: N.T.S.

4  
A-4

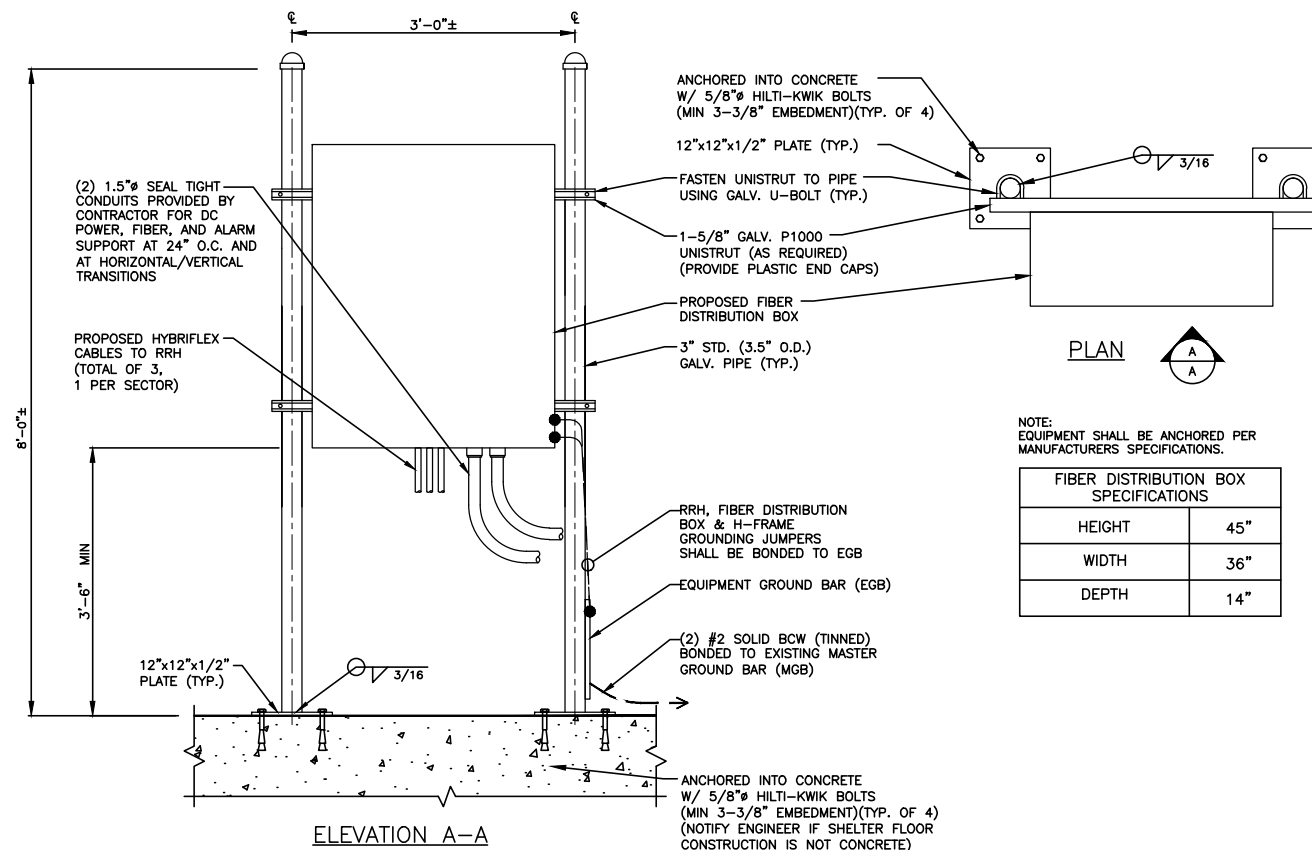


NOTE:  
GPS SURGE PROTECTOR NEEDS TO BE INSTALLED AWAY FROM, AND SEPARATE FROM THE MMBTS (PER THE ALU SITE PREPARATION REQUIREMENTS).  
\*THE GPS CABLE GROUNDING JUMPERS ARE DESIGNED TO BE INSTALLED BEFORE/AFTER THE GPS SURGE PROTECTOR.  
\*THE GPS SURGE PROTECTOR NEEDS TO BE CONNECTED TO THE GROUND SYSTEM VIA A GROUND DOWNLEAD.

**GPS ANTENNA DETAIL**

SCALE: N.T.S.

5  
A-4



NOTE:  
EQUIPMENT SHALL BE ANCHORED PER  
MANUFACTURERS SPECIFICATIONS.

FIBER DISTRIBUTION BOX SPECIFICATIONS	
HEIGHT	45"
WIDTH	36"
DEPTH	14"

**FIBER DISTRIBUTION BOX**

SCALE: N.T.S.

6  
A-4

**Sprint**  
VISION  
NETWORK VISION MMBTS LAUNCH  
1 INTERNATIONAL BLVD, SUITE 800  
MAHWAH, NJ 07495  
TEL: (800) 357-7641

**Alcatel-Lucent**  
1 ROBINS ROAD  
WESTFORD, MA 01886  
TEL: (978) 952-1600

**Hudson Design Group**  
1600 OSGOOD STREET  
BUILDING 20 NORTH, SUITE 3090  
N. ANDOVER, MA 01845  
TEL: (978) 557-5553  
FAX: (978) 336-5586

STATE OF MAINE  
DANIEL P. HAMM  
REGISTERED PROFESSIONAL ENGINEER  
*Daniel P. Hamm*

CHECKED BY: JX

APPROVED BY: DPH

SUBMITTALS			
REV.	DATE	DESCRIPTION	BY
3	05/20/13	FOR CONSTRUCTION	BR
2	05/03/13	FOR CONSTRUCTION	SR
1	04/08/13	ISSUED FOR REVIEW	SF

SITE NUMBER:  
NMO3XC067  
SITE NAME:  
ONE CITY CENTER  
SITE ADDRESS:  
ONE CITY CENTER  
PORTLAND, ME 04101

SHEET TITLE  
DETAILS

SHEET NUMBER  
A-4