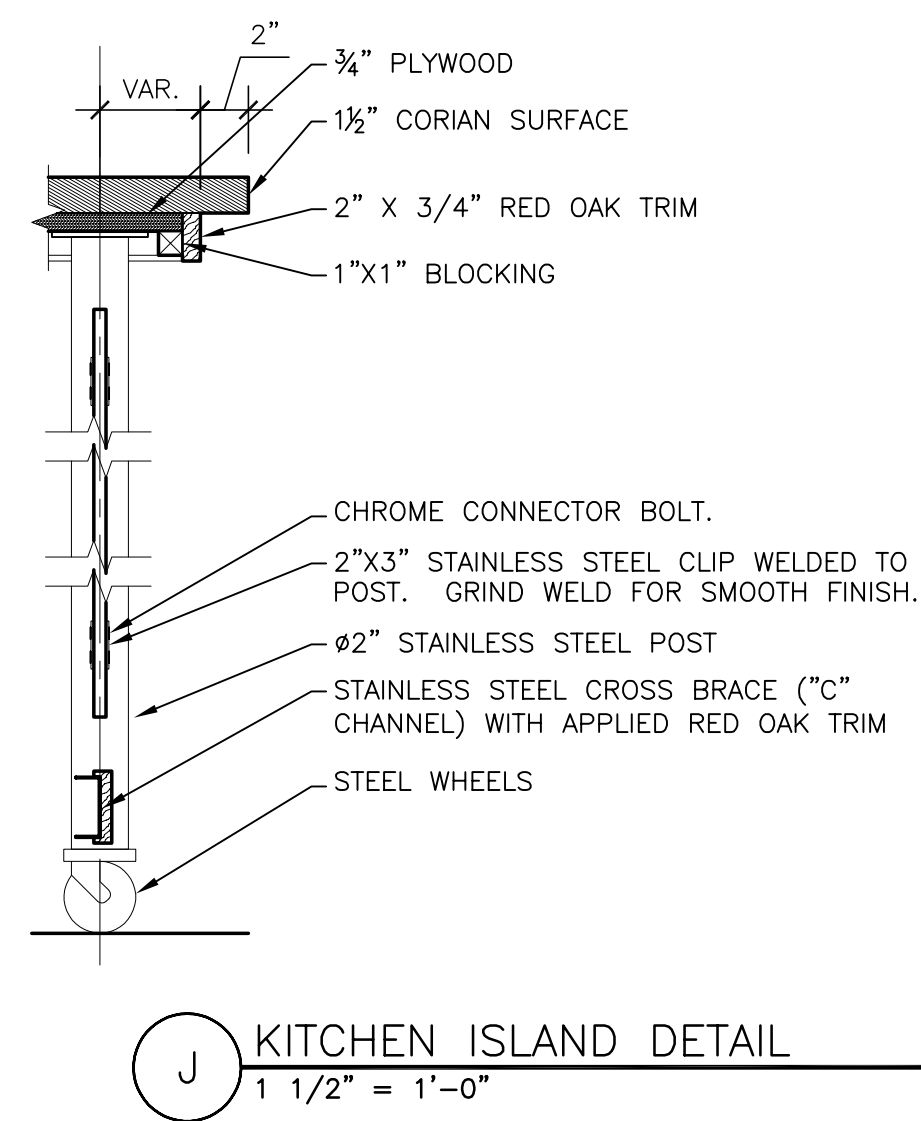
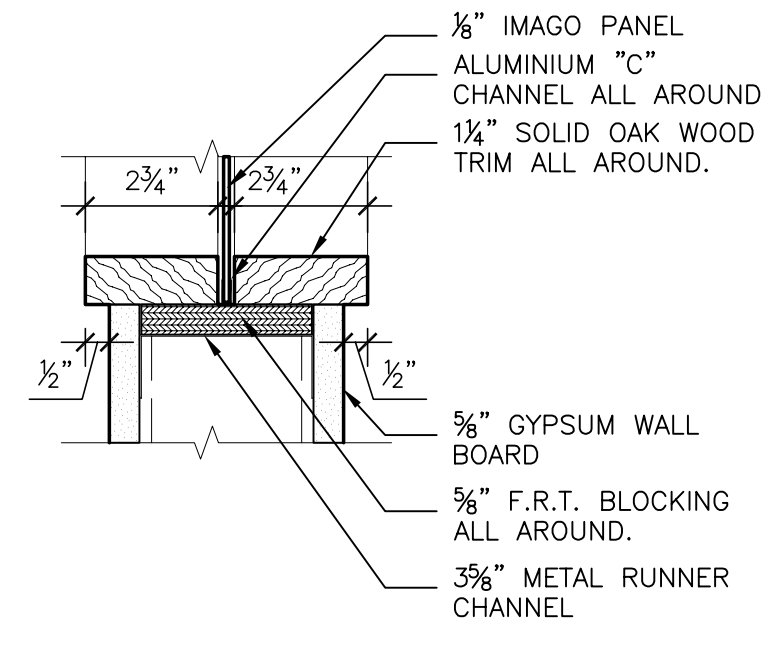


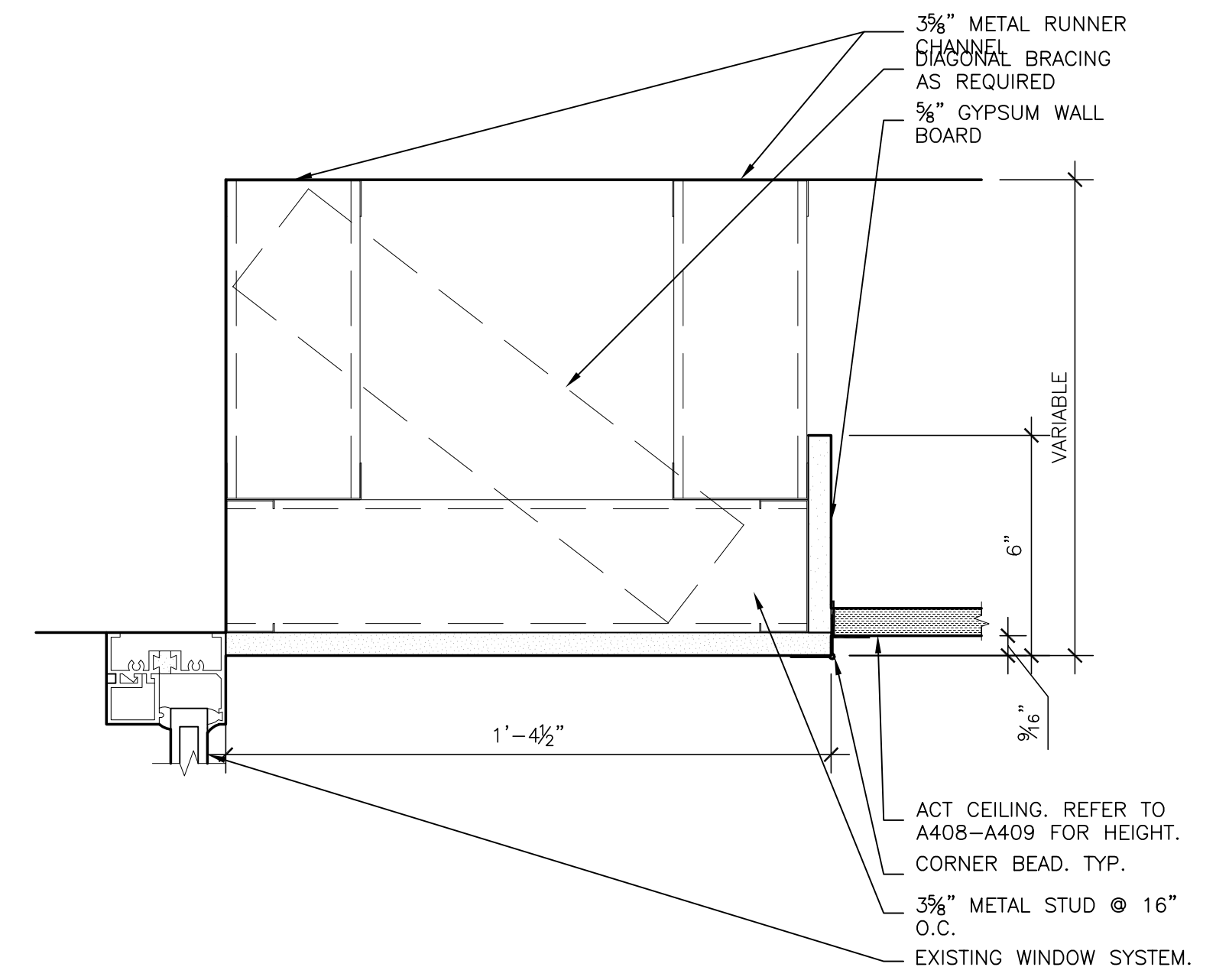
E:\Medical Mutu\02278\Construction Drawings\02278A702.dwg, Aug. 15, 2003 - 9:52am  
 COPYRIGHT (C) BY CUBELLIS ASSOCIATES, INC. ALL RIGHTS RESERVED. NO PART OF THIS DOCUMENT MAY BE REPRODUCED OR TRANSMITTED IN ANY FORM OR BY ANY MEANS, ELECTRONIC, MECHANICAL, PHOTOCOPYING, RECORDING, OR BY ANY INFORMATION STORAGE AND RETRIEVAL SYSTEM, WITHOUT THE EXPRESS WRITTEN CONSENT OF CUBELLIS ASSOCIATES, INC. FOR ADDITIONAL TERMS, GO TO THE FOLLOWING WEBSITE: WWW.CUBELLIS.COM. ALL DIMENSIONS UNLESS OTHERWISE SPECIFIED ARE IN INCHES AND UNLESS OTHERWISE SPECIFIED ARE TO FACE.



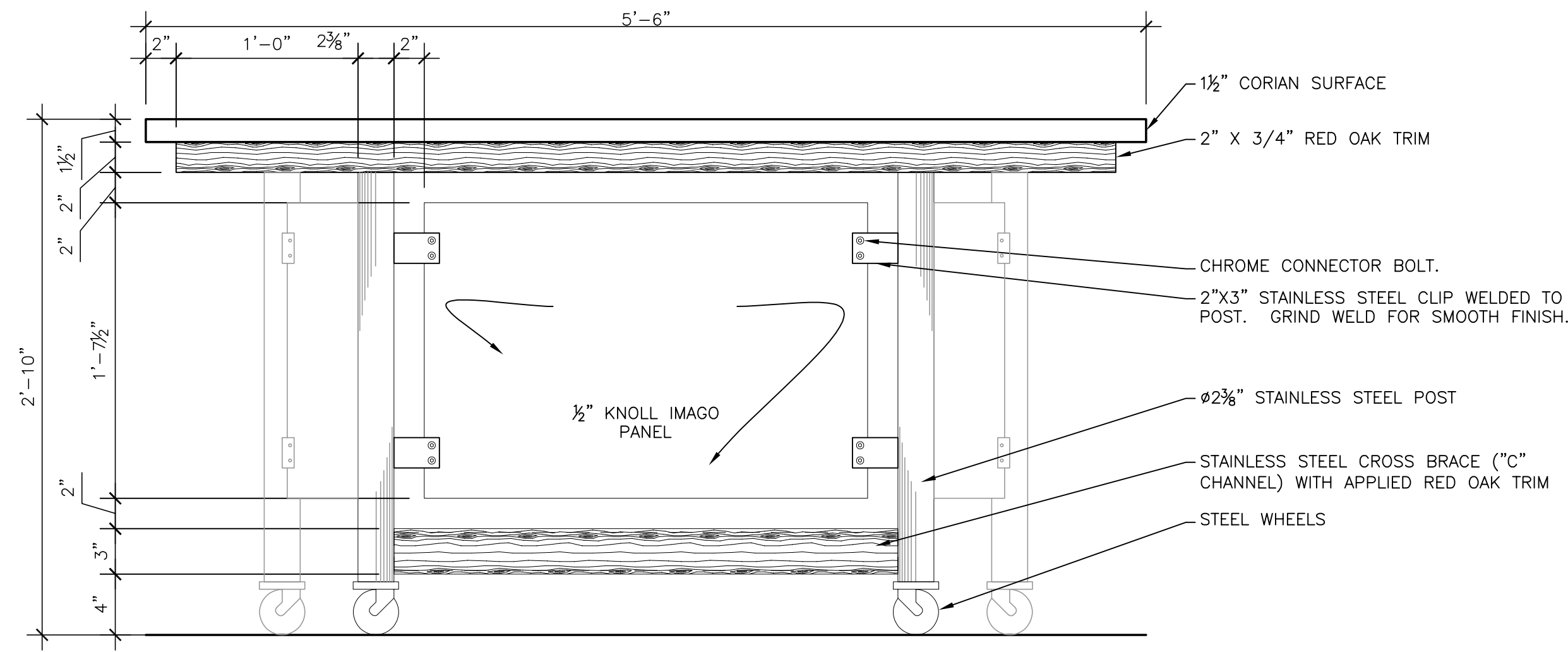
**J** KITCHEN ISLAND DETAIL  
 1 1/2" = 1'-0"



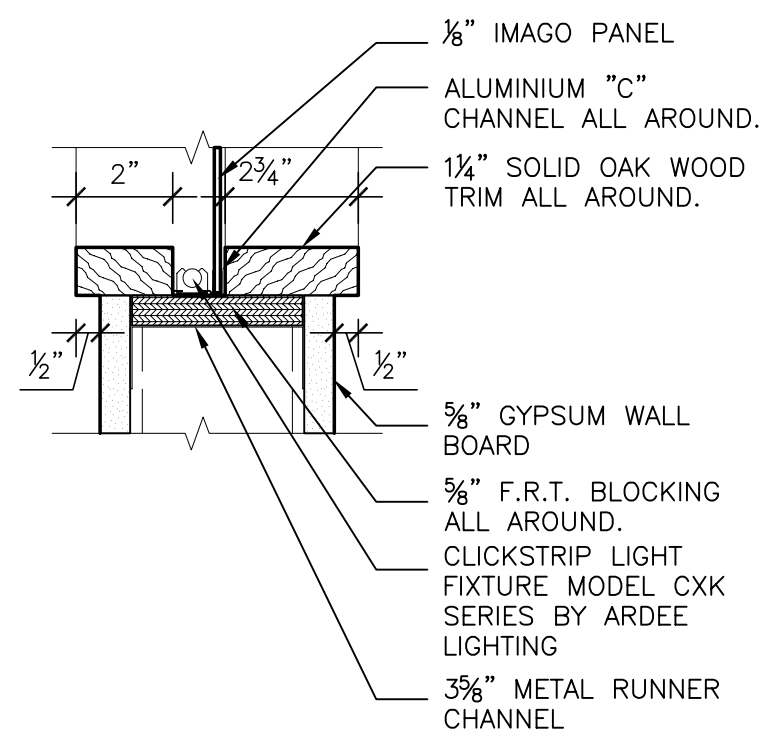
**F** PICTURE WINDOW  
 3" = 1'-0"



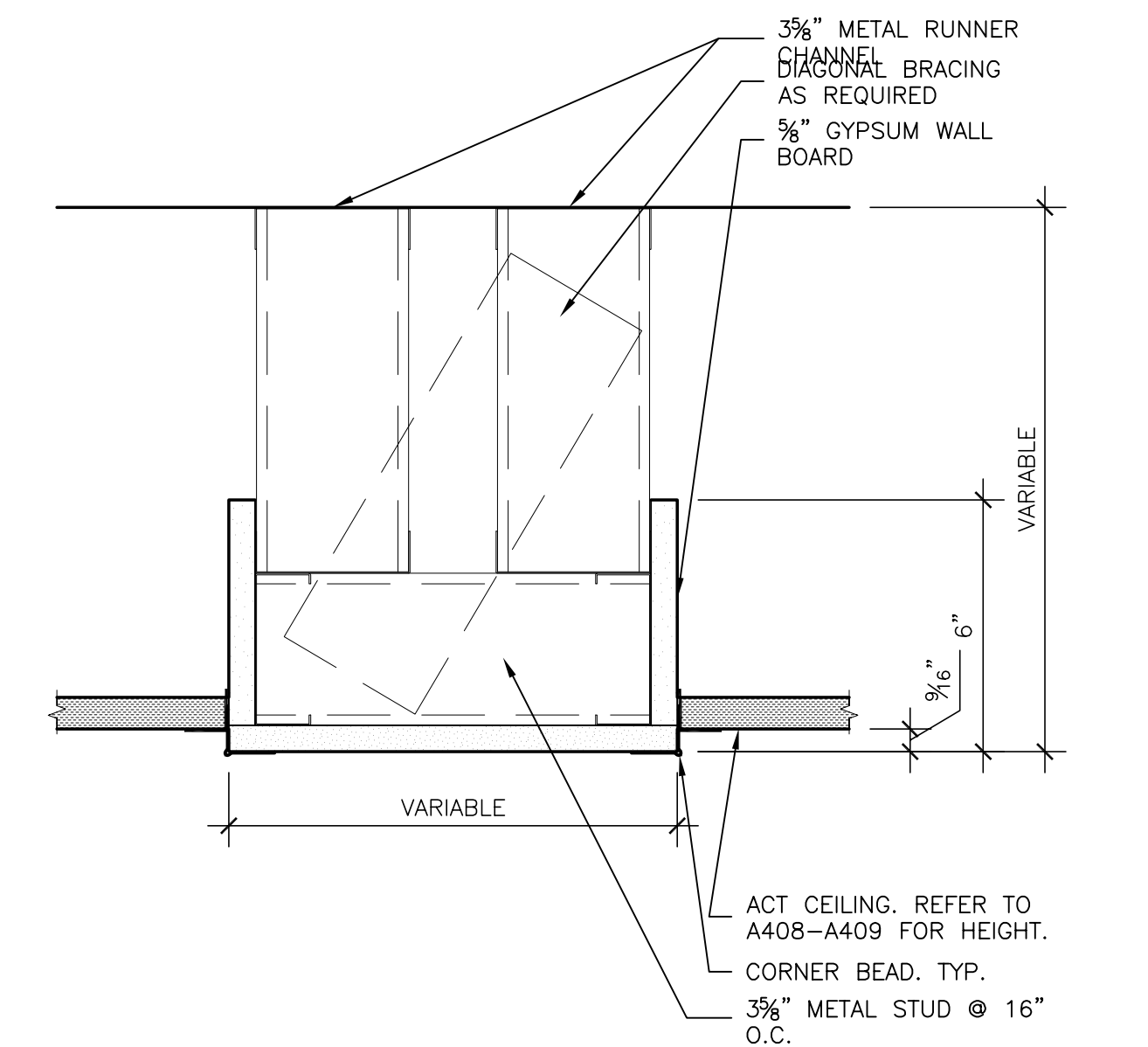
**C** SOFFIT ALONG WINDOW  
 3" = 1'-0"



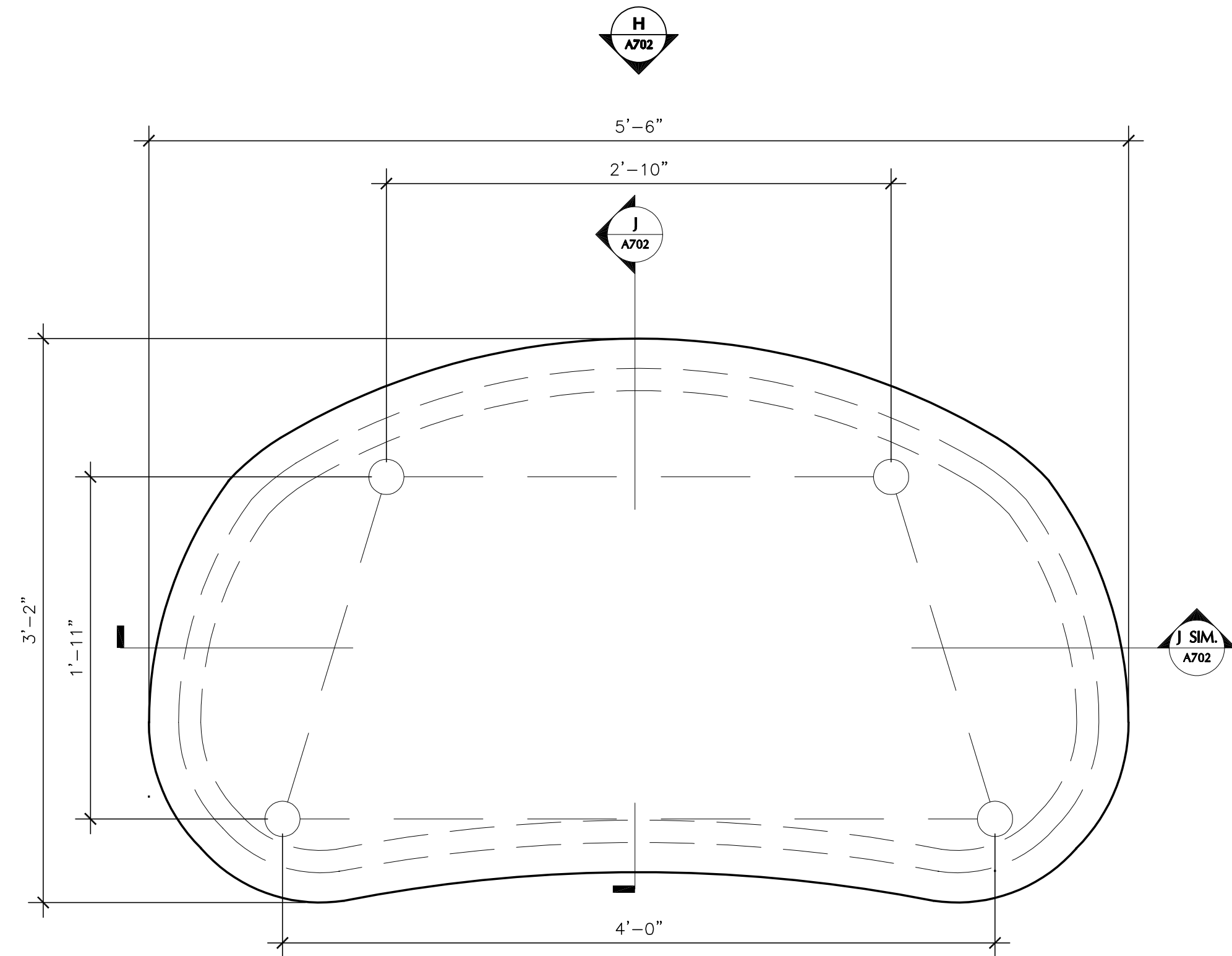
**H** KITCHEN ISLAND ELEVATION  
 1 1/2" = 1'-0"



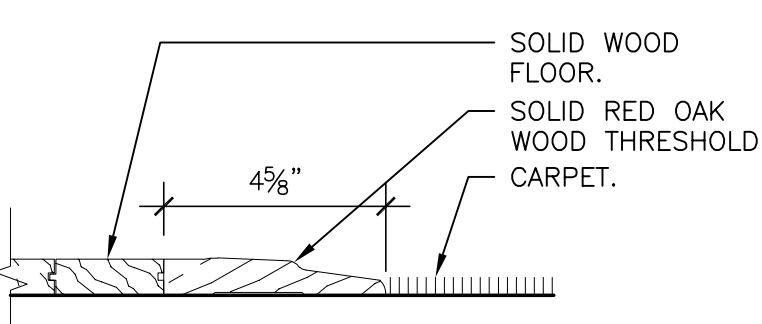
**E** PICTURE WINDOW WITH LIGHT STRIP  
 3" = 1'-0"



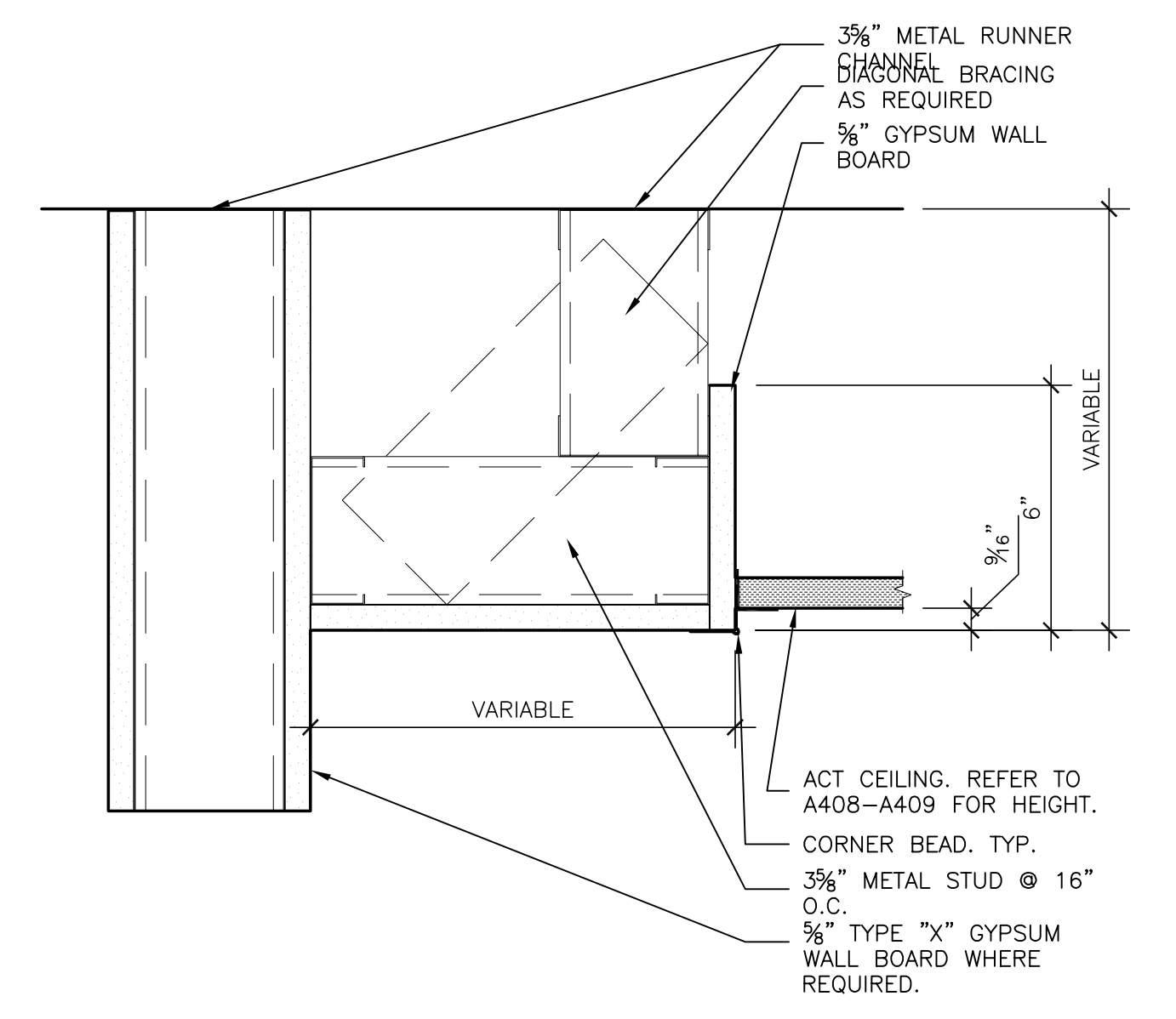
**B** SOFFIT (TYP.)  
 3" = 1'-0"



**G** KITCHEN ISLAND PLAN  
 1 1/2" = 1'-0"

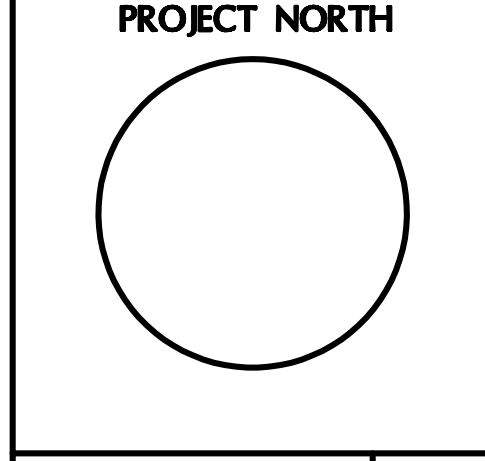


**D** WOOD THRESHOLD  
 3" = 1'-0"



**A** SOFFIT ALONG WALL (TYP.)  
 3" = 1'-0"

NO	DATE	REVISIONS
B	07.07.02	ISSUED FOR PERMIT & PRICING
C	08.06.03	ISSUED FOR CONSTRUCTION



**MEDICAL MUTUAL  
 INSURANCE COMPANY**  
 1 CITY CENTER - PORTLAND, ME

**TITLE**  
 DETAILS

**Cubellis Associates Inc.**  
 Architecture Interiors Engineering  
 450 Pine Street, 24th Fl.  
 Portland, ME 04101  
 Tel: 207-874-2777  
 Fax: 207-874-2775  
 www.cubellis.com

**A702**

**02278**

OWNER

SCALE  
 AS NOTED

CHECKED BY  
 MW

DATE  
 08.06.03

DRAWN BY  
 PG