


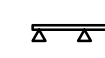
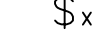
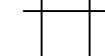
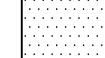



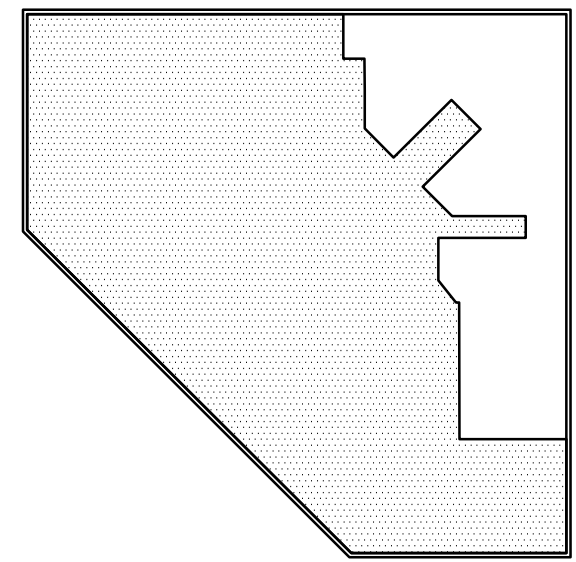
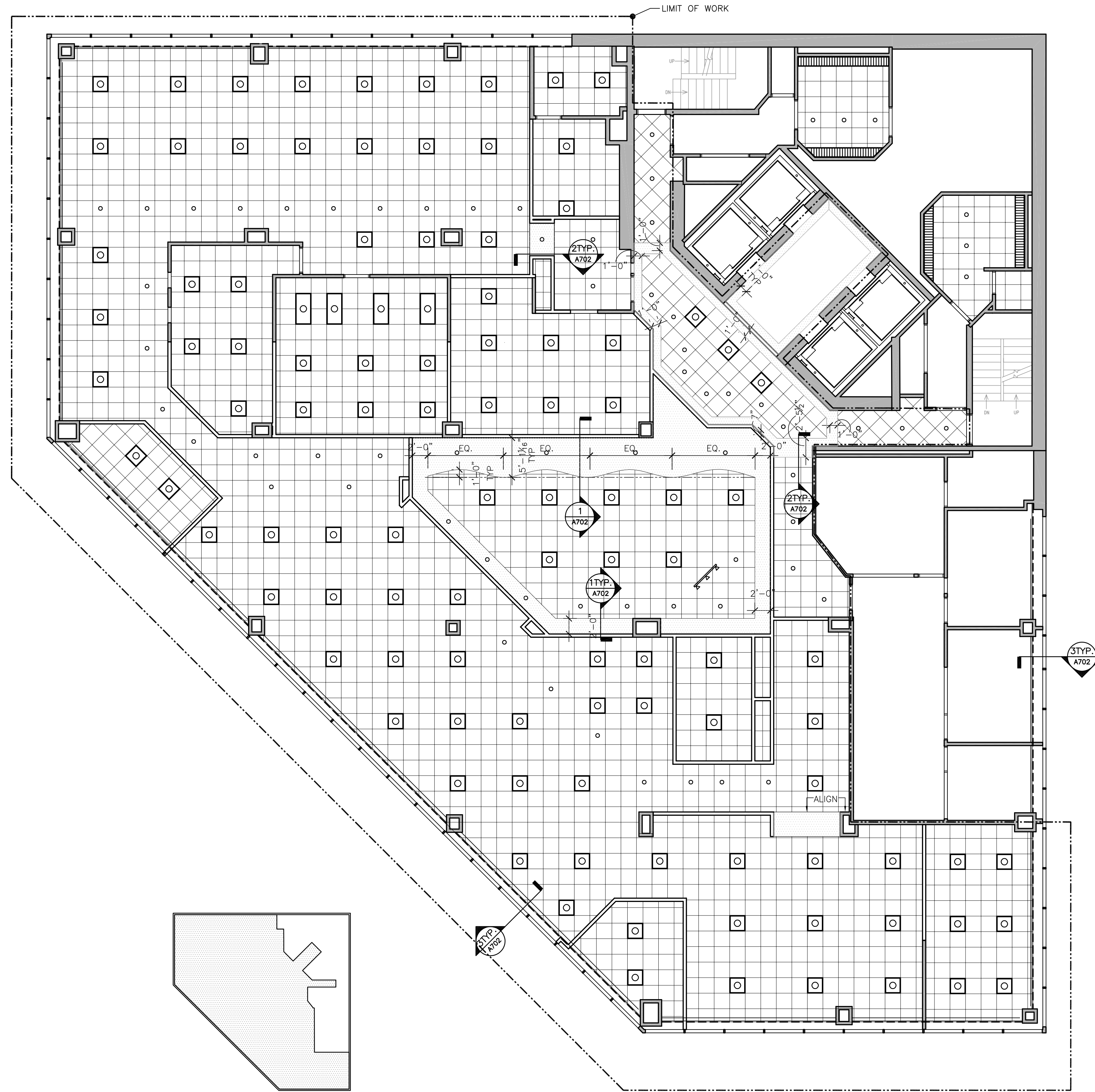
**REFLECTED CEILING NOTES**

1. THIS PLAN IS FOR CEILING FIXTURE, SWITCH AND T-STAT LOCATIONS ONLY. REFER TO MEP ENGINEERING DRAWINGS FOR ADDITIONAL INFORMATION.
2. NEW SPRINKLER HEADS, LIGHT FIXTURES, DIFFUSERS AND ANY CEILING MOUNTED ITEMS SHALL BE CENTERED IN CEILING PANELS AND WILL BE SHOWN ON MEP ENGINEERING DRAWINGS.
3. CEILING HEIGHT TO BE 8'-0" AFF UNLESS OTHERWISE NOTED.

**REFLECTED CEILING LEGEND**

-  2x2 FLUORESCENT LIGHT FIXTURE
-  COMPACT FLUORESCENT DOWNLIGHT
-  WALLWASHER
-  TRACKLIGHTING
-  SINGLE POLE SWITCH (A SWITCH SHOULD BE IN ALL ROOMS)
-  NEW 2x2 ACOUSTIC CEILING PANEL SYSTEM
-  NEW GWB SOFFIT
-  CEILING MOUNTED EXIT SIGN

ALL FIXTURES ARE NEW U.O.N.  
"E" DENOTES EXISTING

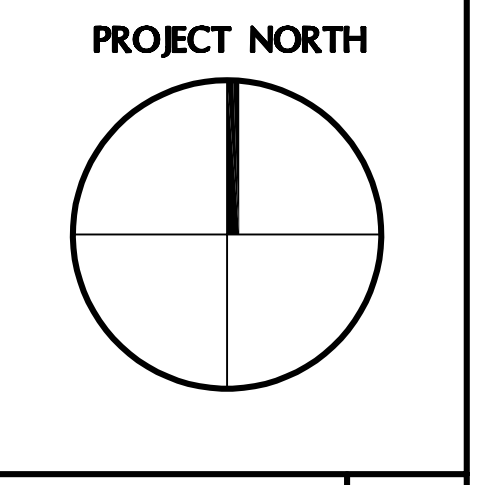


LOCUS PLAN 

1 REFLECTED CEILING PLAN 8TH FLOOR  
1/8" = 1'-0"

COPYRIGHT (C) BY CUBELLIS ASSOCIATES INC. ALL RIGHTS RESERVED. NO PART OF THIS DRAWING OR ANY PARTS THEREOF SHALL BE REPRODUCED, COPIED, STORED IN A RETRIEVING SYSTEM, OR TRANSMITTED IN ANY FORM OR BY ANY MEANS, ELECTRONIC, MECHANICAL, PHOTOCOPIING, RECORDING OR OTHERWISE, WITHOUT THE EXPRESS WRITTEN CONSENT OF CUBELLIS ASSOCIATES INC. ANY REVISIONS MADE TO THIS DOCUMENT WITHOUT THE WRITTEN PERMISSION OF CUBELLIS ASSOCIATES INC. SHALL RENDER IT INVALID AND UNUSABLE.

NO.	DATE	REVISIONS
B	07/07/03	ISSUED FOR PERMIT & PRICING
C	08/15/03	ISSUED FOR CONSTRUCTION



**MEDICAL MUTUAL  
INSURANCE COMPANY**  
1 CITY CENTER - PORTLAND, ME

OWNER

TITLE  
**REFLECTED  
CEILING PLAN  
8TH FLOOR**

SCALE  
1/8" = 1'-0"

**Cubellis Associates Inc.**  
Architecture Interiors Engineering  
428 Fore Street, 3rd Fl.  
Portland, ME 04101  
Tel: 207-874-2775  
Fax: 207-874-2775  
www.cubellis.com

DATE  
1/6/03

DRAWN BY  
JAT/CG

CHECKED BY  
MW/SP

**A408**

02278