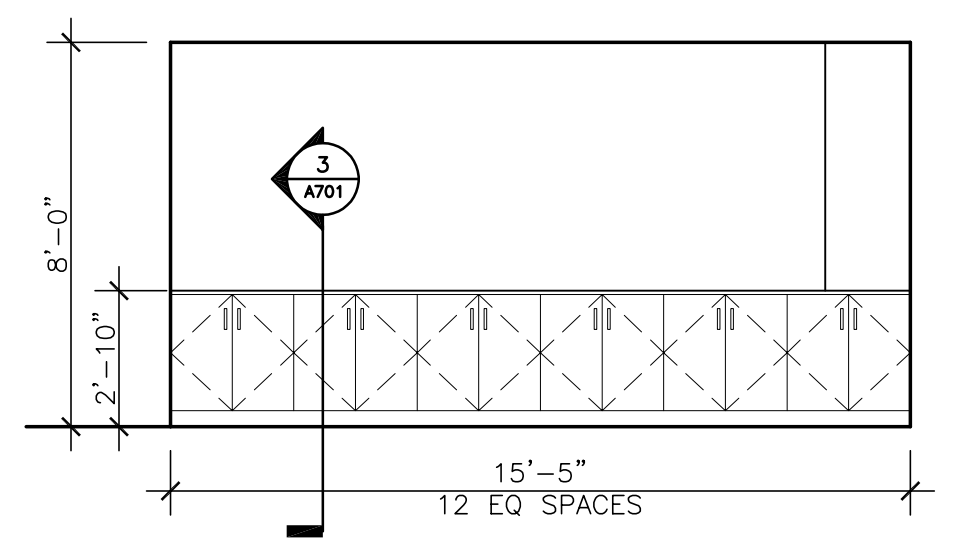
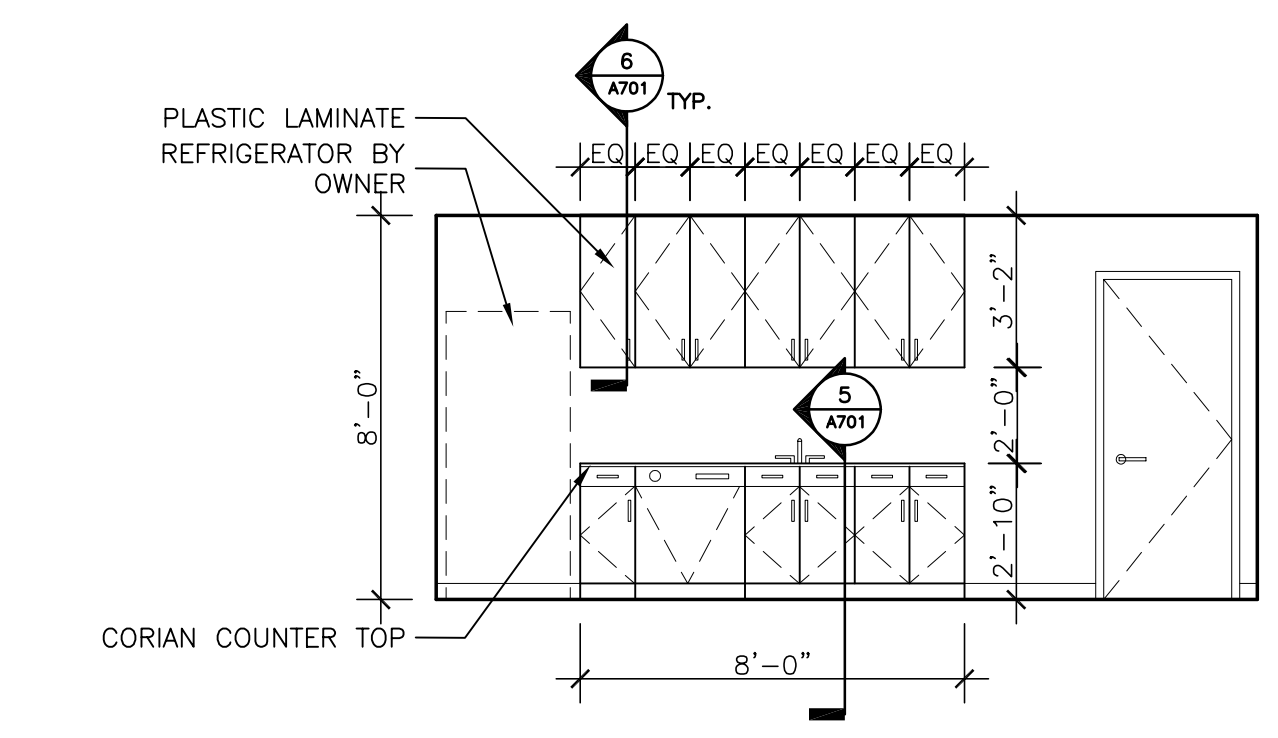


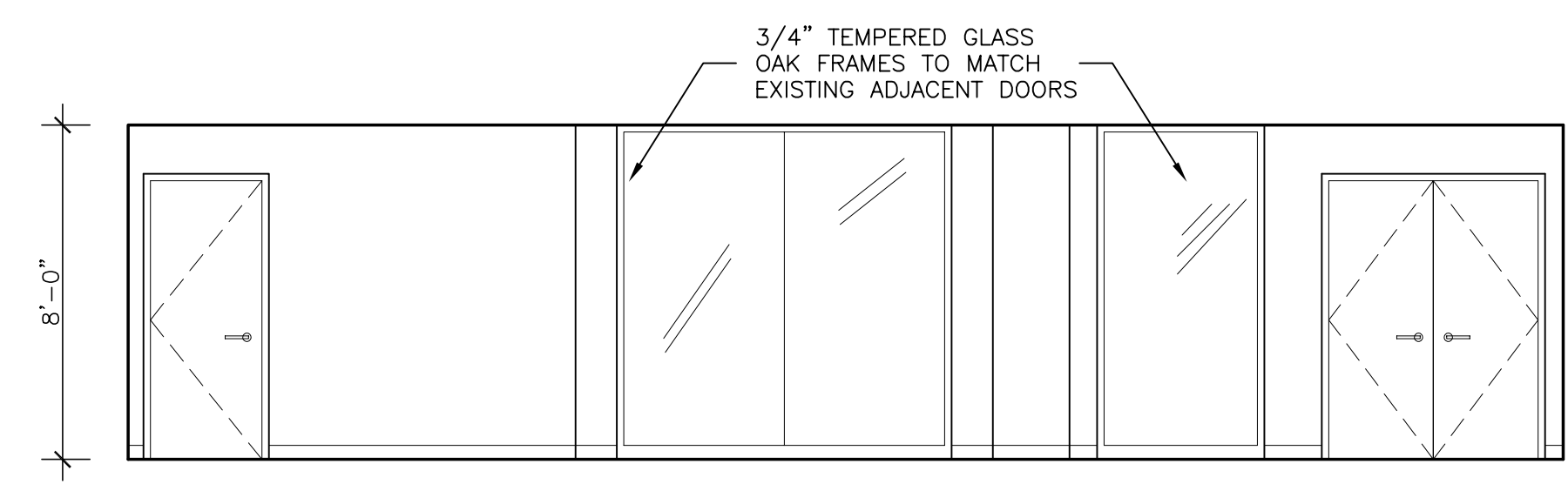
E:\Medical Mutual\02278\Construction Drawings\02278A202.dwg, Aug. 15, 2003 - 9:47am
 COPYRIGHT (C) BY CUBELLIS ASSOCIATES, INC. ALL RIGHTS RESERVED. NO PART OF THIS DOCUMENT MAY BE REPRODUCED OR TRANSMITTED IN ANY FORM OR BY ANY MEANS, ELECTRONIC, MECHANICAL, PHOTOCOPYING, RECORDING, OR BY ANY INFORMATION STORAGE AND RETRIEVAL SYSTEM, WITHOUT THE EXPRESS WRITTEN CONSENT OF CUBELLIS ASSOCIATES, INC. FOR ADDITIONAL TERMS, SEE PROJECT MANUAL, SECTION 01300, PART 1, GENERAL NOTES TO SPECIFICATIONS, OR CONTACT ARCHITECT AT: 400 STATE STREET, PORTLAND, ME 04101



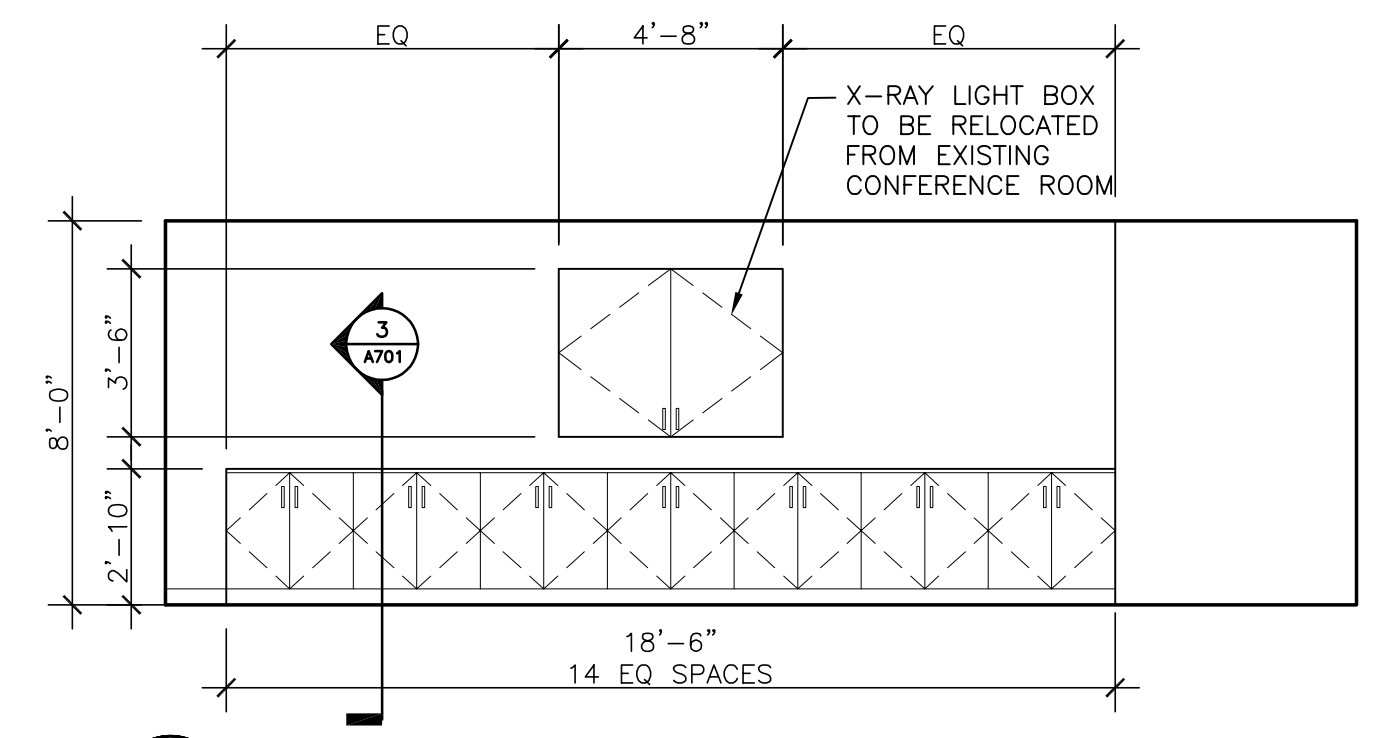
5 ELEVATION AT MKTG. COMMON 918
 1/4" = 1'-0"



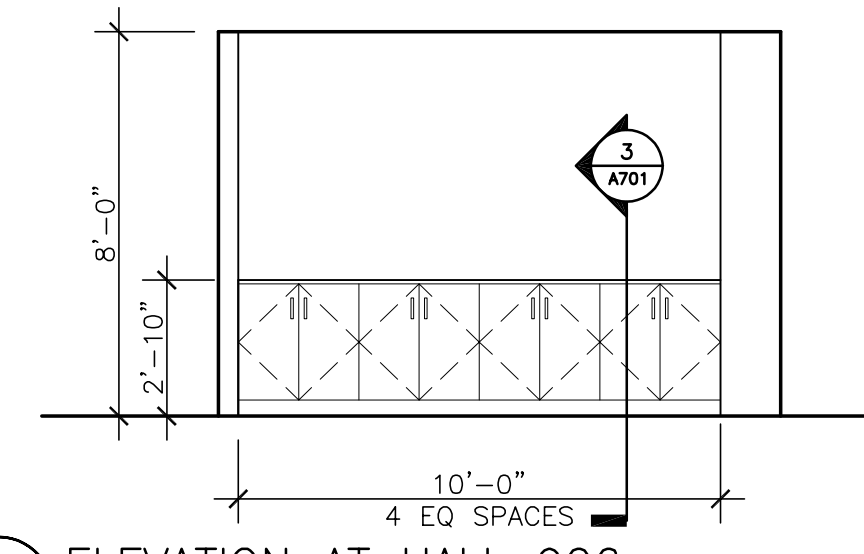
1 ELEVATION AT KITCHEN 903
 1/4" = 1'-0"



2 ELEVATION AT HALL 906
 1/4" = 1'-0"

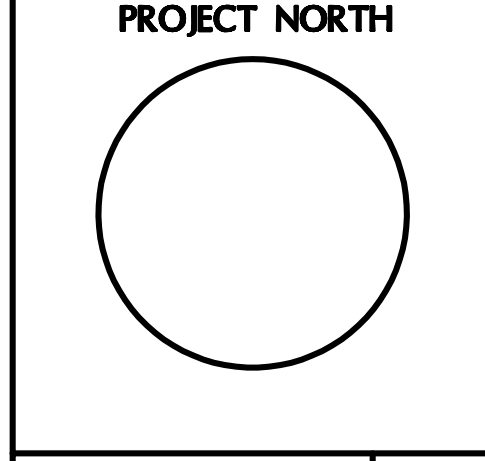


3 ELEVATION AT BOARDROOM 907
 1/4" = 1'-0"



4 ELEVATION AT HALL 906
 1/4" = 1'-0"

| NO | DATE | REVISIONS |
|----|----------|-----------------------------|
| B | 07/07/03 | ISSUED FOR PERMIT & PRICING |
| C | 08/15/03 | ISSUED FOR CONSTRUCTION |



**MEDICAL MUTUAL
 INSURANCE COMPANY**
 1 CITY CENTER - PORTLAND, ME

TITLE
 ELEVATIONS &
 SECTIONS
 9TH FLOOR

SCALE
 AS NOTED

OWNER

Cubellis Associates Inc.
 Architecture Interiors Engineering
 450 Pine Street, 24th Fl.
 Portland, ME 04101
 Tel: 207-874-2777
 Fax: 207-874-2775
 www.cubellis.com

DATE 1/6/03

DRAWN BY CM

CHECKED BY SP/GG

A202

02278