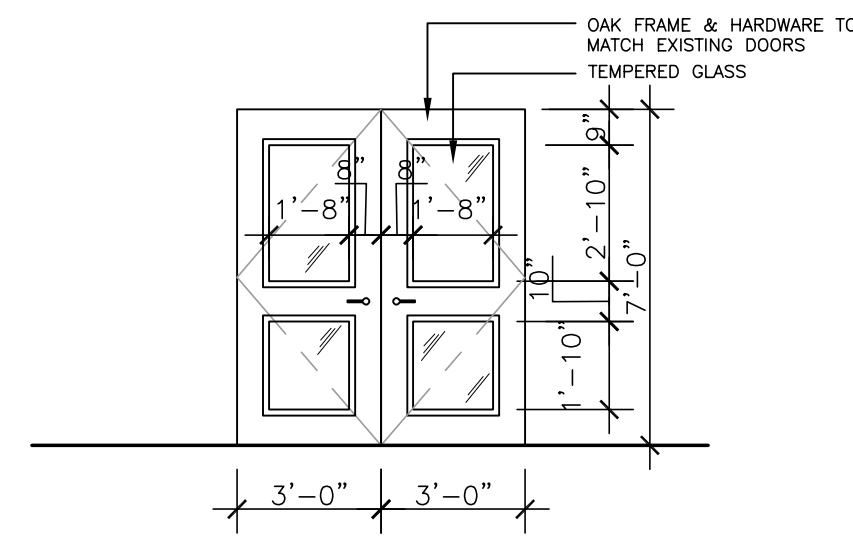
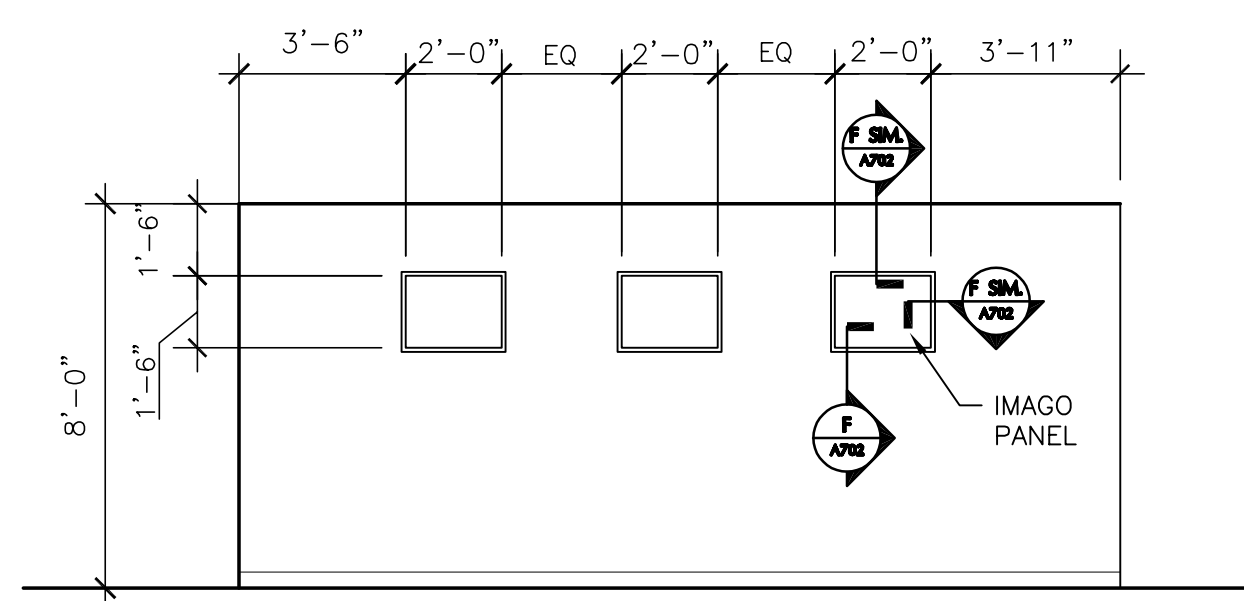


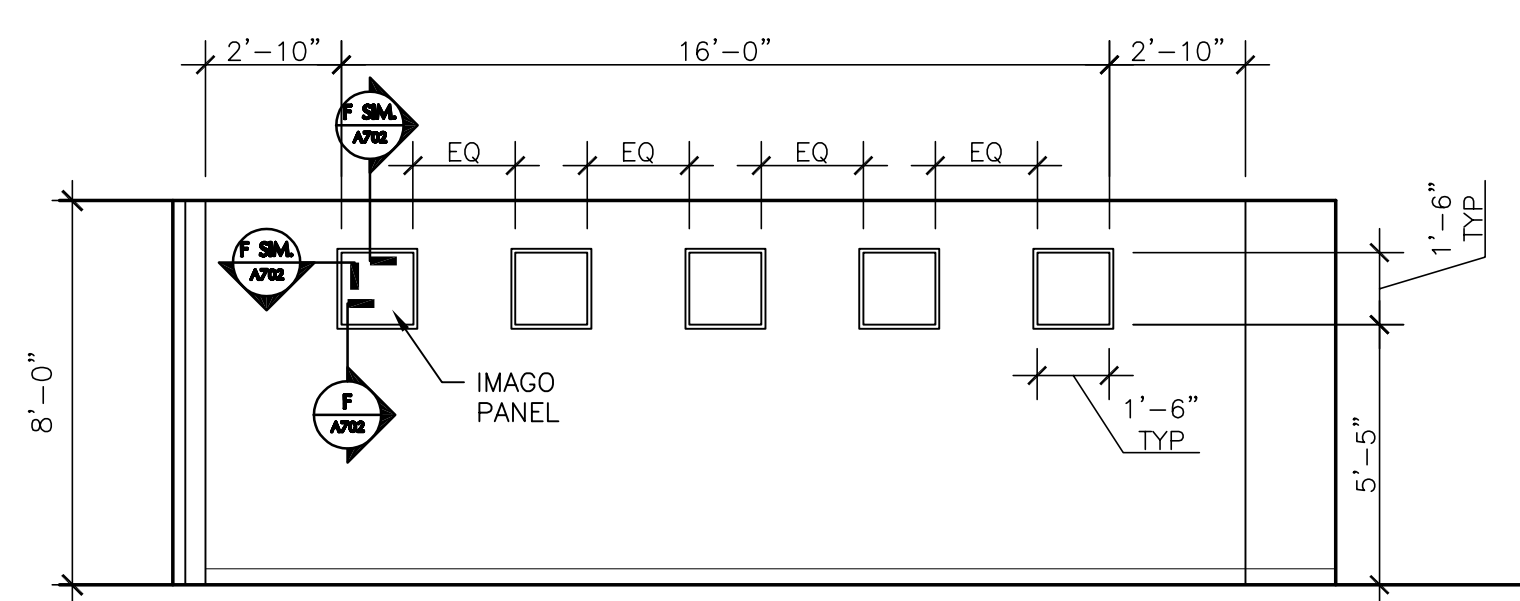
E:\Medical Mutual\02278\Construction Drawings\02278A201.dwg Aug. 15, 2003 - 9:47am  
 COPYRIGHT (C) BY CUBELLIS ASSOCIATES, INC. ALL RIGHTS RESERVED. NO PART OF THIS DOCUMENT MAY BE REPRODUCED OR TRANSMITTED IN ANY FORM OR BY ANY MEANS, ELECTRONIC, MECHANICAL, PHOTOCOPYING, RECORDING, OR BY ANY INFORMATION STORAGE AND RETRIEVAL SYSTEM, WITHOUT THE EXPRESS WRITTEN CONSENT OF CUBELLIS ASSOCIATES, INC. FOR ADDITIONAL INFORMATION, CONTACT THE ARCHITECT AT THE ADDRESS INDICATED OR BY E-MAIL AT: ARCHITECT@CUBELLIS.COM



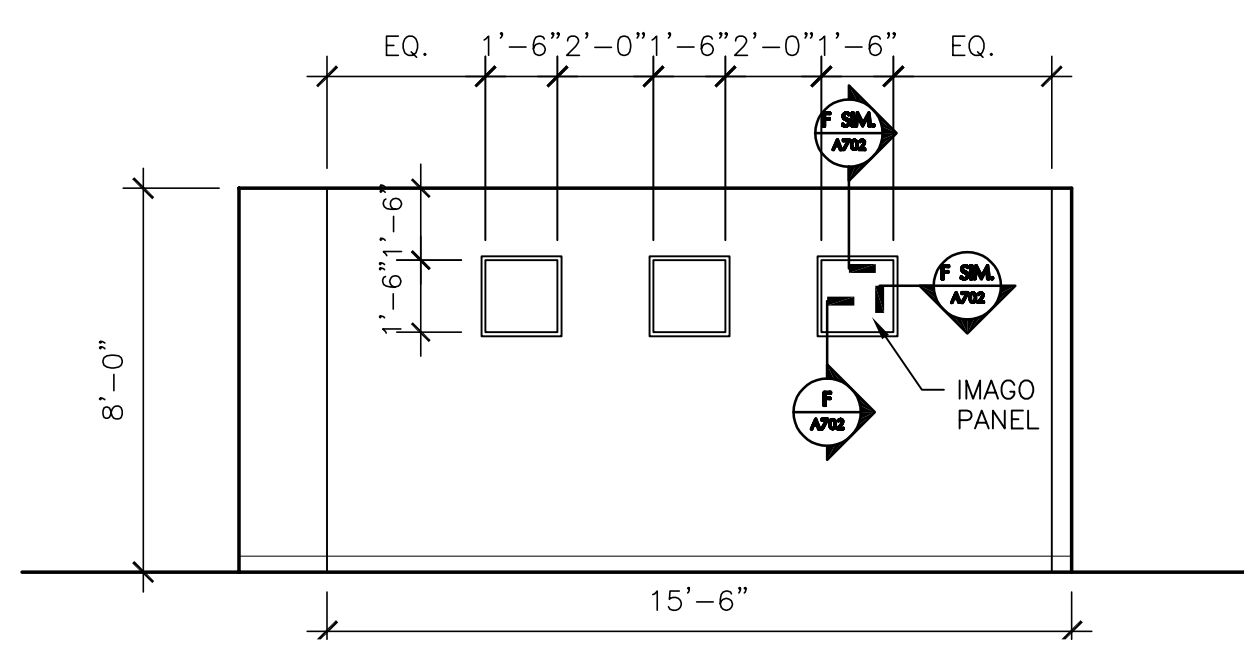
8 ELEVATION AT ENTRY DOOR 801  
 1/4" = 1'-0"



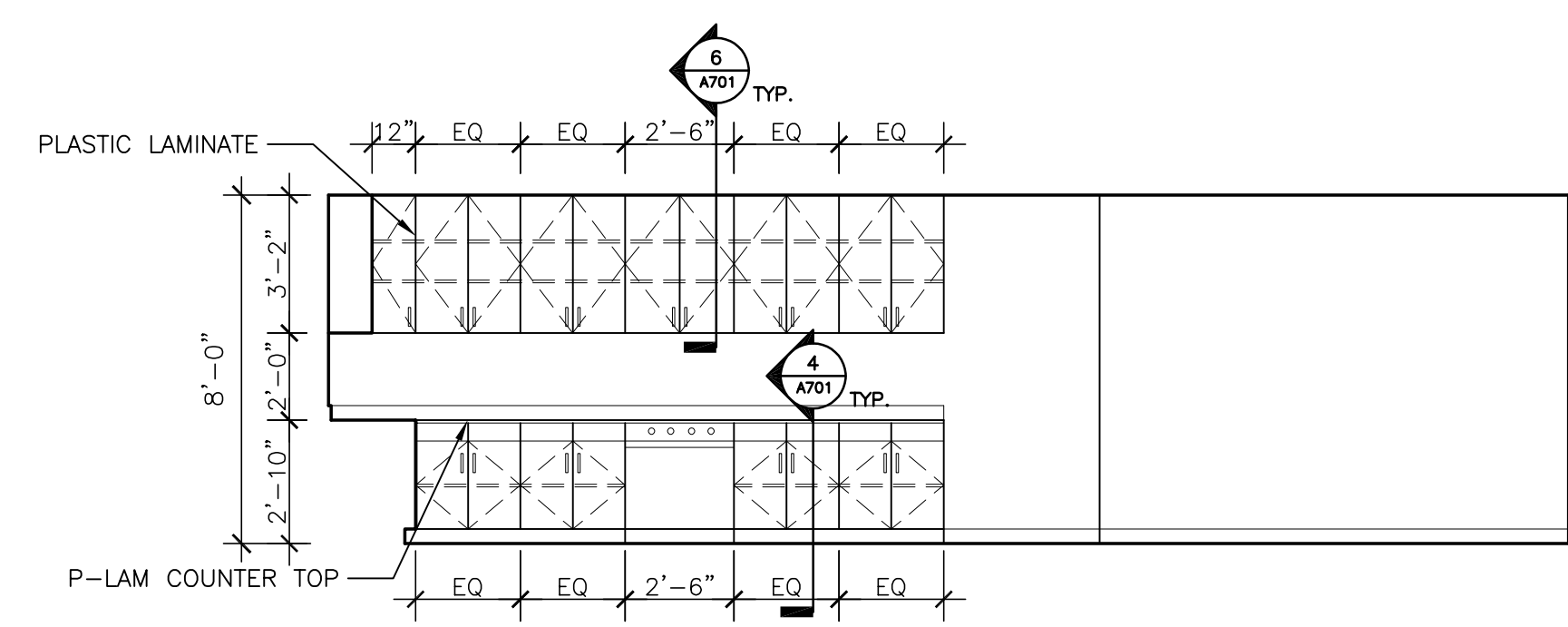
7 ELEVATION AT TRAINING ROOM 814  
 1/4" = 1'-0"



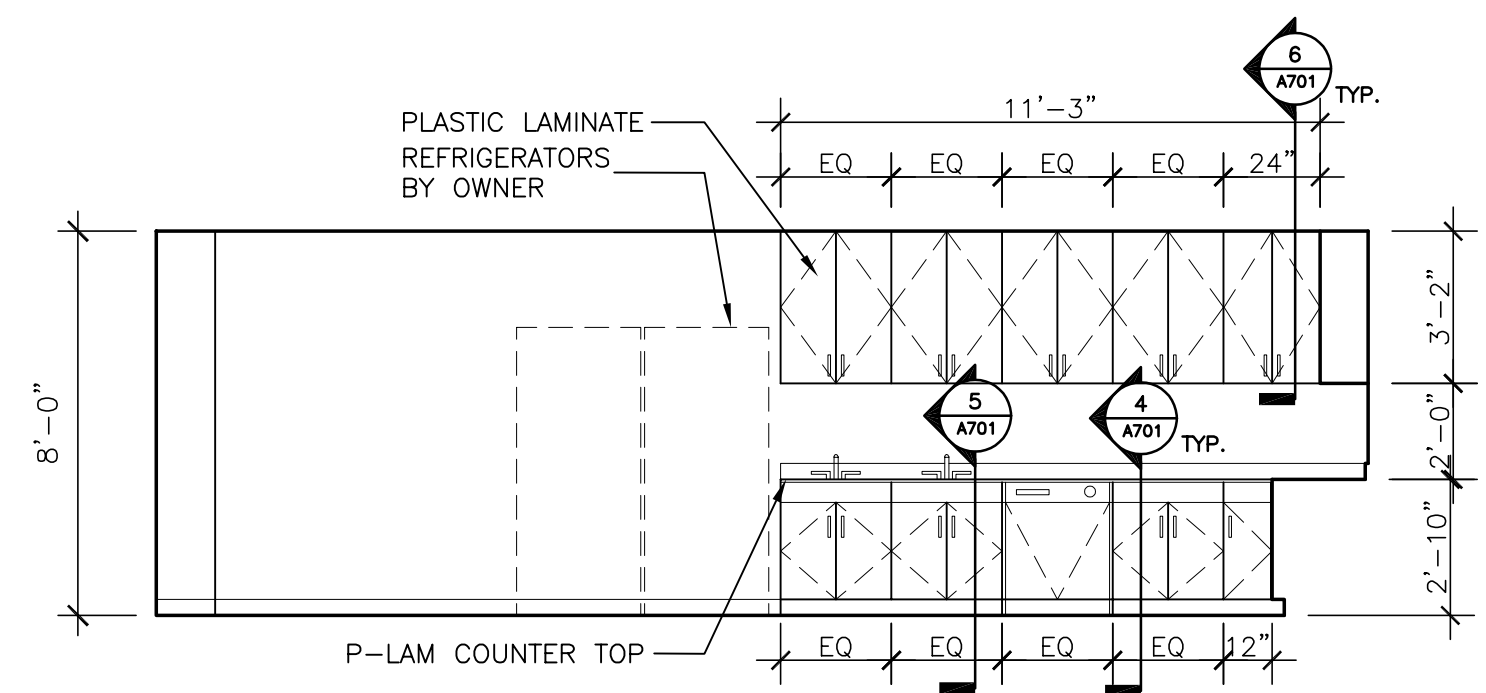
6 ELEVATION AT OPEN OFFICE 811  
 1/4" = 1'-0"



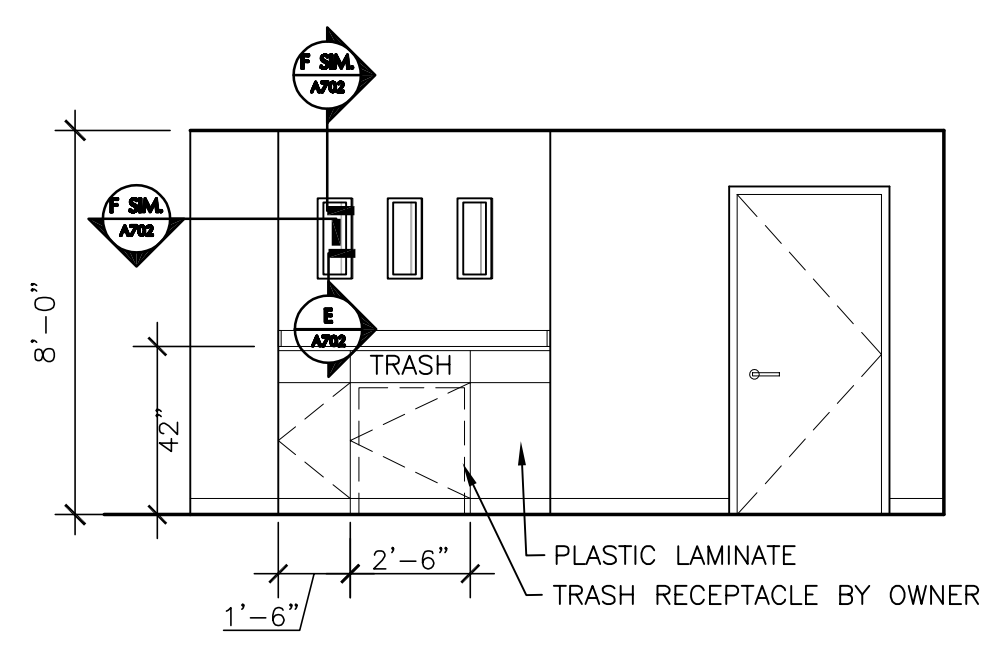
5 ELEVATION AT OPEN OFFICE 806  
 1/4" = 1'-0"



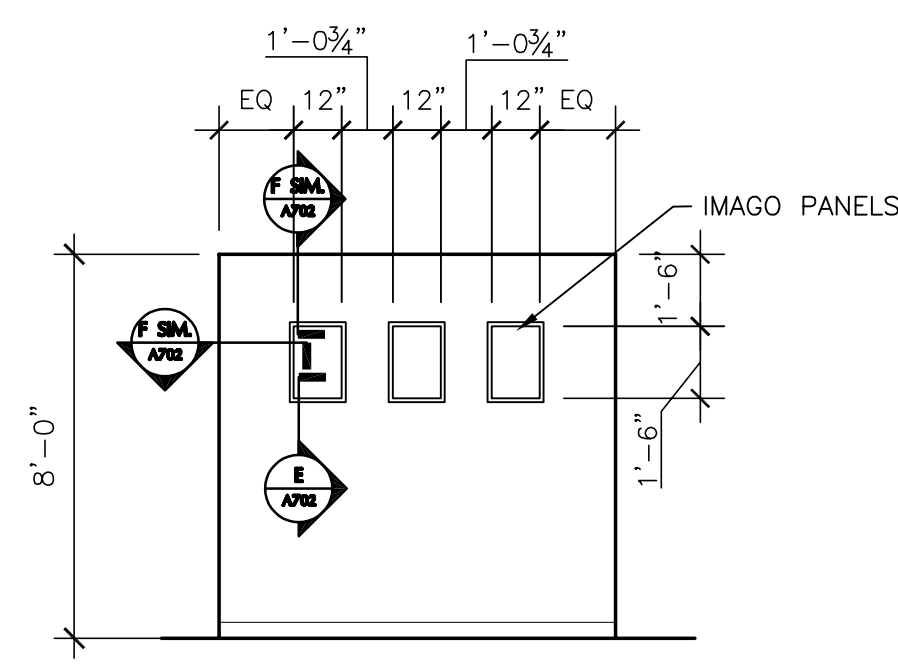
4 ELEVATION AT LUNCHROOM 810  
 1/4" = 1'-0"



3 ELEVATION AT LUNCHROOM 810  
 1/4" = 1'-0"

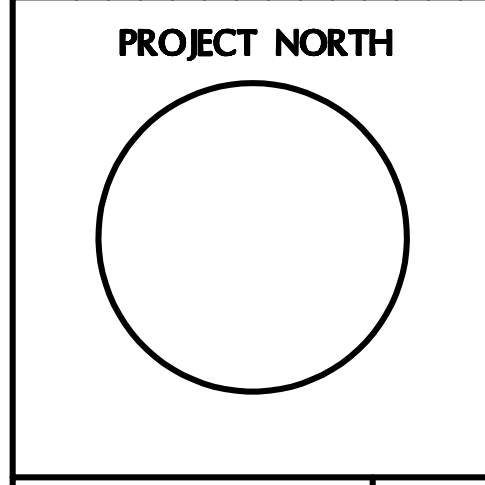


2 ELEVATION AT LUNCHROOM 810  
 1/4" = 1'-0"



1 ELEVATION AT LOBBY 802  
 1/4" = 1'-0"

NO	DATE	REVISIONS
B	07/07/03	ISSUED FOR PERMIT & PRICING
C	08/15/03	ISSUED FOR CONSTRUCTION



**MEDICAL MUTUAL**  
**INSURANCE COMPANY**  
 1 CITY CENTER - PORTLAND, ME

TITLE  
**ELEVATIONS & SECTIONS**  
**8TH FLOOR**

SCALE  
 AS NOTED

Cubellis Associates Inc.  
 Architecture Interiors Engineering  
 450 Park Street, 24th Fl.  
 Portland, ME 04101  
 Tel: 207-874-2777  
 Fax: 207-874-2775  
 www.cubellis.com

DATE  
 1/6/03

DRAWN BY  
 CM/GG

CHECKED BY  
 SP/GG

**A201**

**02278**