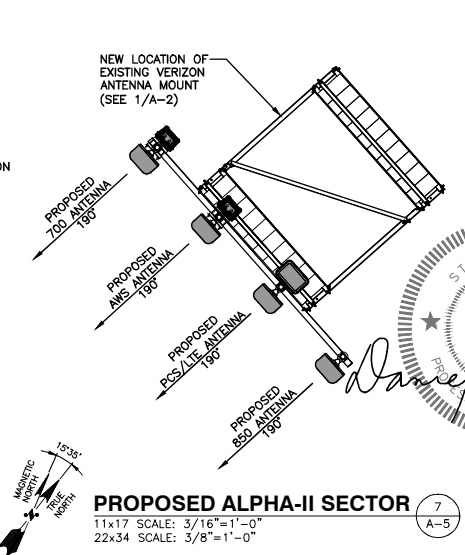
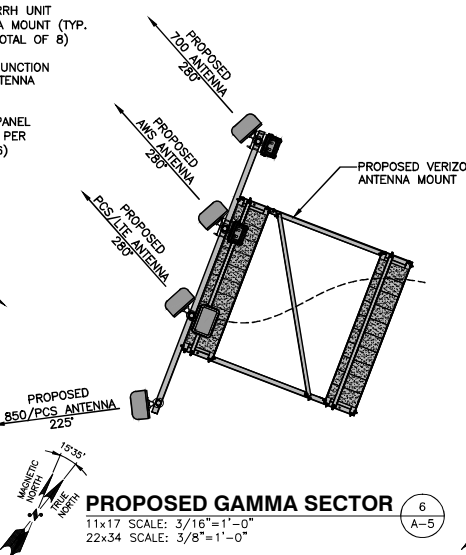
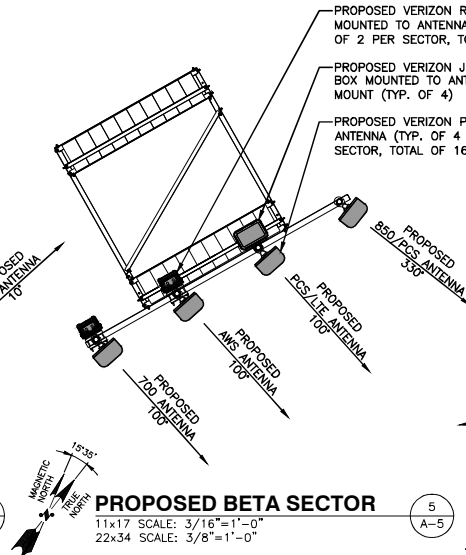
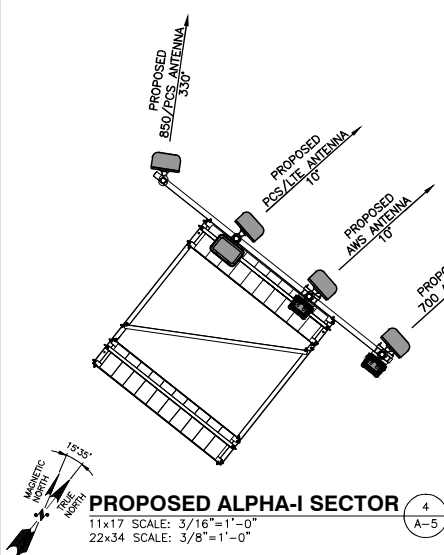


NOTE:
 AN ANALYSIS OF THE CAPACITY OF THE EXISTING STRUCTURE TO SUPPORT THE PROPOSED LOADING HAS BEEN COMPLETED BY HUDSON DESIGN GROUP, LLC. DATED MARCH 19, 2015.

NOTE: G.C. TO REFER TO LATEST RF ANTENNA DESIGN.



PROPOSED VERIZON RRH UNIT MOUNTED TO ANTENNA MOUNT (TYP. OF 2 PER SECTOR, TOTAL OF 8)
 PROPOSED VERIZON JUNCTION BOX MOUNTED TO ANTENNA MOUNT (TYP. OF 4)
 PROPOSED VERIZON PANEL ANTENNA (TYP. OF 4 PER SECTOR, TOTAL OF 16)

NEW LOCATION OF EXISTING VERIZON ANTENNA MOUNT (SEE 1/A-2)

STATE OF MAINE
 DANIEL P. HAMM
 PROFESSIONAL ENGINEER
 LICENSE NO. 11115
 DANIEL P. HAMM
 PORTLAND, ME 04101

FOR CONSTRUCTION

PREPARED FOR:
verizon wireless
 400 FIREBIRD PARKWAY
 SUITE 400
 PORTLAND, ME 04101
 (207) 334-3300 TEL

PREPARED BY:
Hudson Design Group
 100 COGWOOD STREET
 BUILDING 201 NORTH SHIFF 600
 PORTLAND, ME 04101
 (207) 762-5252

ANTENNA PLANS

DATE	DESCRIPTION	ISSUED FOR CONSTRUCTION	BY	CHK APP'D
03/19/15			NS	JX

MONMOUTH SQUARE
 MONMOUTH SQUARE
 PORTLAND, ME 04101

A-5