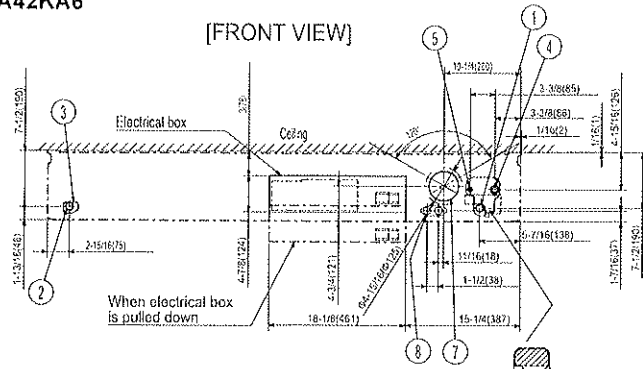


# DIMENSIONS: PCA-A42KA6 & PUY-A42NHA6 (-BS)

## PCA-A42KA6

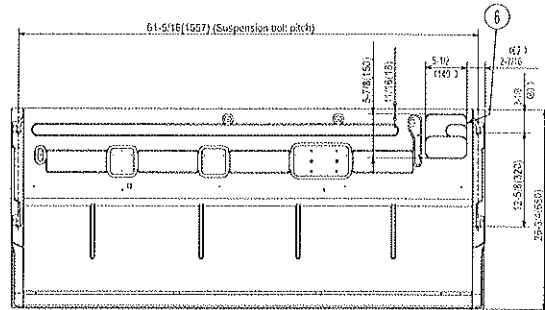


If the piping is installed in the back of the unit, remove the shaded portions from the component at right. Then, reinstall the component in its original position (the heat exchanger might be clogged because of dust).

### NOTES.

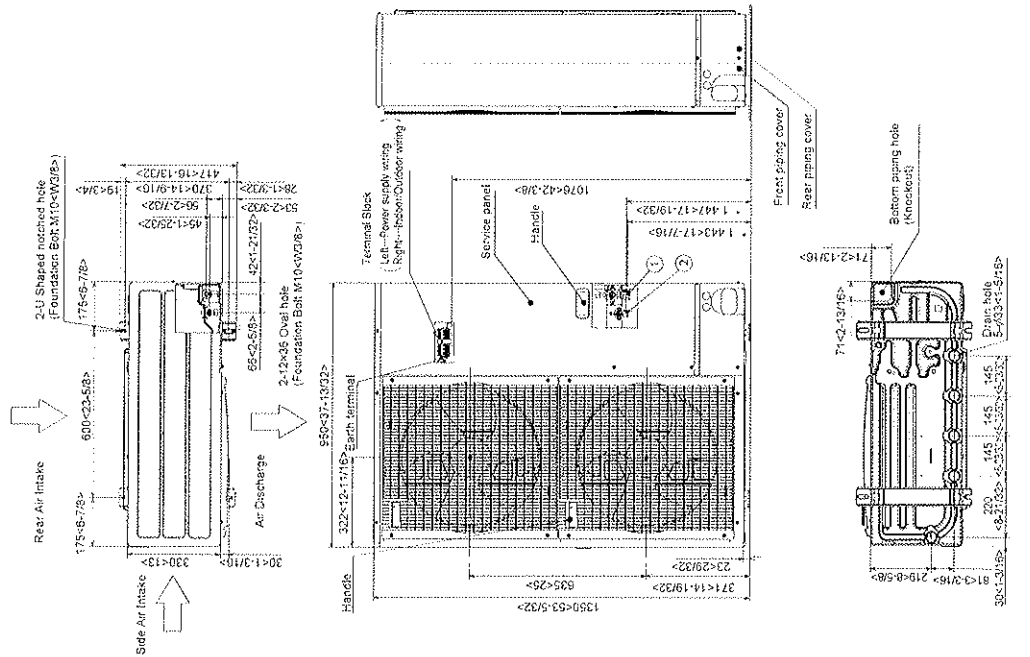
1. Use M10 or W3/8 screw for anchor bolt.
2. Please be sure when installing the drain lift up mechanism (option parts), refrigerant pipe will be only upward.

Unit: inch (mm)



- ① Drainage pipe connection (1(26mm) I.D.)
  - ② Drainage pipe connection (for the left arrangement)
  - ③ Knockout hole for left drain-piping arrangement
  - ④ Refrigerant-pipe connection (gas pipe side/flared connection)
  - ⑤ Refrigerant-pipe connection (liquid pipe side/flared connection)
  - ⑥ Knockout hole for upper drain pipe arrangement
  - ⑦ Knockout hole for ventilation air intake  $\Phi 3.15(10)(\Phi 100)$
  - ⑧ Knockout hole for wiring arrangement  $\Phi 7/8(\Phi 22)$
- Accessory... Drain socket (1(26mm) I.D.)

## PUY-A42NHA6 (-BS)



### NOTES:

#### SEACOAST PROTECTION

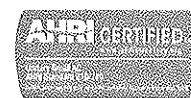
- External Outer Panel: Phosphor coating + Acrylic-Enamel coating
- Fan Motor Support: Epoxy resin coating (at edge face)
- Separator Assembly ; Valve Bed: Epoxy resin coating (at edge face)
- Screws (used outer side): Zinc nickel coating 5 $\mu$ m + Polyvinylidene chloride coating

"Blue Fin" treatment is an anti-corrosion treatment that is applied to the condenser coil to protect it against airborne contaminants..



COOLING & HEATING

1340 Satellite Boulevard, Suwanee, GA 30024  
Toll Free: 800-433-4822 www.mehvac.com



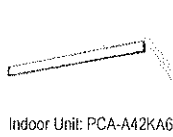
# P-SERIES

# PCA-A42KA6 & PUY-A42NHA6 (-BS) 42,000 BTU/H CEILING-SUSPENDED AIR-CONDITIONING SYSTEM

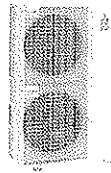


Job Name: \_\_\_\_\_

System Reference: \_\_\_\_\_ Date: \_\_\_\_\_



Indoor Unit: PCA-A42KA6



Outdoor Unit: PUY-A42NHA6 (-BS)

### UNIT OPTION:

- Standard Model.....PUY-A42NHA6
- Seacoast (BS) Model.....PUY-A42NHA6-BS

### ACCESSORIES:

- Condensate Pump (BlueDiamond X87-711/721; 115/230V)
  - Condensate Pump (Sauermann SI30-115/230; 115/230V)
  - Wind Baffle (One Piece)\* (WB-PA2)
  - Air Outlet Guide (One Piece)\* (PAC-SG59SG)
  - \*PUY(Z)-A42NHA6 requires two outlet guides or wind baffles for installation.
  - Wireless Wall-mounted Remote Controller Kit (MHK1)\*\*
  - Portable Central Controller (MCCH1)\*\*
  - Outdoor Air Sensor (MOS1)\*\*
  - Wired Wall-mounted Controller (PAR-31MAA)\*\*
  - Simple MA Remote Controller (PAC-YT53CRAU)\*\*
- \*\*See Submittal for information on each option.

### SPECIFICATIONS:

Rated Capacity*		
Cooling	Btu/h	42,000

\* Rating Conditions per AHRI Standard:  
Cooling | Indoor: 80° F (27° C) DB / 67° F (19° C) WB  
Cooling | Outdoor: 95° F (35° C) DB / 75° F (24° C) WB

Operating Range	
Cooling	0° F** to 115° F (-18° C to 46° C) DB

\*\* The minimum temperature will be 23° F (-5° C) DB if optional wind baffle accessory is not installed.

Capacity Range		
Cooling	Btu/h	18,000 - 42,000

Rated Total Input		
Cooling	W	4,110

Electrical Power Requirements	
	208 / 230V, 1-Phase, 60 Hz

Minimum Circuit Ampacity (MCA)		
Indoor	A	2
Outdoor		25

External Finish	
Indoor	Munsell No. 6.4Y 8.9/0.4
Outdoor	Munsell No. 3Y 7.8 / 1.1

External Dimensions		
Indoor (H x W x D)	In.(mm)	9-1/16 x 63 x 26-3/4 (230 x 1,600 x 680)
Outdoor (H x W x D)		53-1/8 x 37-3/8 x 13 + 1-3/16 (1,350 x 950 x 330 + 30)

Net Weight		
Indoor	Lbs.(kg)	84 (38)
Outdoor		247 (112)

Sound Pressure Level			
Indoor (Low-M1-M2-Hi)		dB(A)	39-41-43-45
Outdoor	Cooling		
			51

Airflow Rate (Low-M1-M2-Hi)			
Indoor (Cooling)	DRY	CFM	810-885-955-1,055
	WET		740-810-885-955
Outdoor	DRY		1,940

Indoor Unit		
Blower Motor (ECM)	F.L.A.	0.97
Blower Motor Output	W	160
SHF		0.69
Moisture Removal	pt./h	11.7

Outdoor Unit		
Compressor		DC INVERTER-driven Twin Rotary
Fan Motor (ECM)	F.L.A.	0.75
MOCP	A	40

Refrigerant Piping		
Liquid (High Pressure)	In.(mm)	5/8 (15.88)
Gas (Low Pressure)		3/8 (9.52)
Maximum Total Refrigerant Pipe Length	Ft. (m)	225 (68)
Maximum Vertical Separation	Ft. (m)	100 (30)

Refrigerant	
	R410A ; 6lbs., 10oz.

Connection Method	
	Flared

AHRI Efficiency Ratings	
EER	10.2
SEER	15.8

24,000