



**E3 Fire Alarm System
1 Monument Square
6th Floor Renovation
Portland, Maine**

[Click Here to View
Bill of Material/Index](#)

Prepared For:
Seabee Electric, Inc.
84 Pleasant Hill Rd.
Sacrborough, ME 04074
ATTN: Gene Rochow

Prepared By:
Tim Biron
R.B. ALLEN COMPANY, Inc.
131 Lafayette Road
North Hampton, NH 03862

Reviewed By:
Tom DuBois
R.B. ALLEN COMPANY, Inc.
131 Lafayette Road
North Hampton, NH 03862

**E3-Gamewll-FCI
FIRE ALARM SYSTEM RNOVATION
1 Monument Square - 6th Floor
Portland, Maine**

Click on a Description to View Data Sheet

<u>ITEM #</u>	<u>QTY.</u>	<u>CAT#</u>	<u>DESCRIPTION</u>	<u>DATA SHEET #</u>
1			<u>Initiating Device</u>	
	1	ADS-PL2F	Addressable Photoelectric Smoke Detector w/ Base	9020-0617
2			<u>Intiating Devices</u>	
	5	E50-24MCW-FR	Speaker/Strobe Unit (Selectable Candela & Wattage Tap)	Wheelock
	3	STR	Strobe Unit (Selectable Candela)	Wheelock
3			<u>Supporting Documentation</u>	

Click on a Document to View Content

Fire Alarm System Riser Diagram
System Floor Plan



by Honeywell

[Click Here to Return to Bill of Material/Index](#)

Velociti® Series ASD-PL2F and ASD-PTL2F

Description

The Gamewell-FCI Velociti® Series, analog addressable plug-in smoke sensors with integral communication provide features that surpass conventional sensors. Sensitivity can be programmed in the control panel software, and is continuously monitored and reported to the panel. Point ID capability allows each sensor's address to be set, providing exact locations for selective maintenance when the chamber contamination reaches an unacceptable level. The ASD-PL2F photoelectric sensor's unique optical sensing chamber is engineered to sense smoke produced by a wide range of combustion sources. Dual electronic thermistors add 135°F (57°C) fixed-temperature thermal sensing on the ASD-PTL2F model.

The Velociti® Series use a communication protocol that substantially increases the speed of communication between the sensors and certain Gamewell-FCI analog addressable fire alarm controls. These devices operate in a grouped fashion. If one of the devices in the group has a status change, the panel's microprocessor stops the group poll and concentrates on the single device. The net effect is a response speed up to five times greater than earlier designs.

Ordering Information

Model	Description
ASD-PL2F	Analog, addressable photoelectric smoke sensor
ASD-PTL2F	Analog, addressable photoelectric smoke sensor with thermal sensing

Analog, Addressable Photoelectric Smoke Sensor



ASD-PL2F



ASD-PTL2F

Features

- Sleek, low-profile design
- Visual rotary, decimal switch addressing (01-159)
- Built-in functional test switch activated by an external magnet
- Bicolor LEDs flash green whenever the sensor is addressed, and light steady red on alarm*
- Optional relay, isolator, or sounder bases
- Low standby current
- Analog addressable communication
- Stable communication technique with noise immunity
- Optional remote, single-gang LED Indicator (RA400Z)
- Suitable for installation in ducts
- Compatible with Gamewell-FCI analog addressable panels

Note: *Only the red LED is operative in panels that do not operate in Velociti® mode.

Velociti® is a registered trademark of Honeywell International Inc.
UL® is a registered trademark of Underwriters Laboratories Inc.

An ISO 9001-2000 Company

SIGNALING



LISTED S1913



APPROVED 3023594



Approved 219-02-E Vol.VI



07272-0694:263

GAMEWELL-FCI

12 Clintonville Road, Northford, CT 06472-1653 USA • Tel: (203) 484-7161 • Fax: (203) 484-7118

Specifications are for information only, are not intended for installation purposes, and are subject to change without notice. No responsibility is assumed by Gamewell-FCI for their use.

©2008 by Honeywell International Inc. All rights reserved.

www.gamewell-fci.com

9020-0617 Rev. E1 page 1 of 2

Installation

ASD-PL2F plug-in sensors use a separate base to simplify installation, service, and maintenance. A special tool allows maintenance personnel to plug-in and remove sensors without using a ladder.

Mount the base on a box which is at least 1.5" (3.8 cm) deep. Suitable mounting base boxes include:

- 4.0" (10.2 cm) square box
- 3.5" (8.9 cm) or 4.0" (10.2 cm) octagonal box
- Single-gang box (except relay or isolator bases)
- With B501BH or B501BHT base, use a 4.0" (10.2 cm) square box
- With B224RB or B224BI base, use a 3.5" (8.9 cm) octagonal box, or a 4.0" (10.2 cm) octagonal or square box

NOTE: Because of the inherent supervision provided by the SLC, end-of-line resistors are not required. Wiring "T-taps" or branches are permitted for Style 4 (Class "B") wiring.

Sensor Spacing

Gamewell-FCI recommends spacing sensors in compliance with NFPA 72. In low airflow applications with smooth ceilings, space sensors 30 feet (9.1 m). For specific information regarding sensor spacing, placement and special applications, refer to NFPA 72.

Specifications

Size: 2.1" (5.1 cm) high x 4.1" (10.4 cm) diameter installed in B501 base, 6.1" (15.5 cm) diameter installed in ADB-FL base.

Shipping Weight: 5.2 oz. (147 g)

Operating

Temperature: ASD-PL2F:
32° F to 120° F (0° C to 49° C)
ASD-PTL2F:
32° F to 100° F (0° C to 38° C)

UL®-Listed

Velocity Range: 0-4000 ft./min. (1,219.2 m/min.), suitable for installation in ducts.

Relative

Humidity: 10-93% (non-condensing)

Thermal Ratings: Fixed-temperature setpoint
135° F (57° C)

Electrical Specifications

Voltage Range: 15 – 32 volts DC peak

Standby Current: (max. avg.): .0003 A @ 24 VDC
(one communication every 5 seconds with LED enabled)

Maximum Alarm

Current: .0065 A @ 24 VDC (LED) lit).

Bases and Options

ADB-FL 6.1" (15.5 cm) diameter

B501 4.1" (10.4 cm) diameter

B501BH or B501BHT Sounder base assembly (B501BHT produces a temporal pattern). Includes B501 base

B224RB

Relay Base Screw terminals:
Up to 14 AWG (2.0 mm²)
Relay type: Form-C
Rating:
2.0A @ 30 VDC resistive;
0.3 A @ 110 VDC inductive;
1.0 A @ 30 VDC inductive.
Dimensions:
6.2" x 1.2" (15.7 x 3.0 cm)
Maximum: 25 devices between isolator bases.

RA400Z

BCK-200 Remote alarm indicator, LED.
Black detector covers (box of 10)

[Click Here to Return to Bill of Material/Index](#)

GAMEWELL-FCI

[Click Here to Return to Bill of Material/Index](#)

Series E50 Speaker and Speaker Strobes



SERIES E50
Speaker Strobe



SERIES E50
Speaker

Description

The Wheelock Series E50 Speakers and Speaker Strobes feature high efficiency sound output, with dual voltage (25/70 VRMS) capability and field selectable taps from 1/8 to 2 watts. They are designed to provide a sleek, aesthetic appearance for emergency voice/alarm communications systems. All Series E50 models mount to standard 4" x 2-1/8" electrical boxes (with no extension ring required) and incorporate a speaker mounting plate for faster installation. The grille cover snaps on so no mounting screws are visible. Attractive surface boxes are also available for surface installations.

The Series E50 Speaker Strobe models use Wheelock low current draw Series RSS strobes for wall mounted applications. Strobe options include patented MCW multi-candela strobes with field selectable candela settings of 15/30/75/110 cd or high intensity MCWH strobes with field selectable 135/185 candela. Models with 1575 candela (75 cd on axis) are also offered.

Series E50 Speakers and Speaker Strobes provide high audio output with clear audibility and are designed to meet the critical needs of the life safety industry for effective emergency voice communications, tone signaling and visible signaling to alert the hearing impaired.

The strobe portion of all Series E Speaker Strobes may be synchronized when used in conjunction with the Wheelock SM, DSM Sync Modules or the Wheelock's PS-24-8MC Power Supply with Patented Sync Protocol. Wheelock synchronized strobes offer an easy way to comply with ADA and NFPA regulations concerning photosensitive epilepsy.

Series E50 Speaker Strobes are UL Listed for indoor use under Standard 1971 (Signaling Devices for the Hearing-Impaired) and Standard 1480 (Speaker Appliances). All inputs employ IN/OUT wiring terminals for fast installation using #12 to #18 AWG wiring and are compatible with FACP line supervision.

Color options for the Series E50 Speakers and Speaker Strobes are red or off-white.

Features

- Approvals include: UL Standard 1971, UL Standard 1480, New York City (MEA), California State Fire Marshal (CSFM), Factory Mutual (FM) and Chicago (BFP). See approvals by model in Specifications and Ordering Information
- ADA/NFPA/ANSI compliant
- Complies with OSHA 29 Part 1910.165
- Wall mount speaker strobe models with field selectable candela settings of 15/30/75/110cd or 135/185cd (Multi-Candela models), or 1575cd (Single Candela model)
- Field selectable taps for 25 or 70 VRMS operation from 1/8 watt up to 2 watts
- High efficiency design for maximum output at minimum wattage across a frequency range of 400 to 4000 HZ
- 24 VDC strobes produce 1 flash per second with wide UL "Regulated Voltage" of 16 to 33 volts using filtered DC or unfiltered VRMS input voltage
- Synchronize with Wheelock SM, DSM or Wheelock PS-12/24-8CP and PS-12/24-8MP Power Supply with built-in sync protocol
- Mount to 4" square x 2-1/8" deep backbox with *no extension ring required*
- Snap on grille cover with no visible mounting screws
- Fast installation with IN/OUT screw terminals using #12 to #18 AWG wires



NOTE: All CAUTIONS and WARNINGS are identified by the symbol ▲. All warnings are printed in bold capital letters.

▲ WARNING: PLEASE READ THESE SPECIFICATIONS AND ASSOCIATED INSTALLATION INSTRUCTIONS CAREFULLY BEFORE USING, SPECIFYING OR APPLYING THIS PRODUCT. VISIT WWW.COOPERWHEELOCK.COM OR CONTACT COOPER WHEELOCK FOR THE CURRENT INSTALLATION INSTRUCTIONS. FAILURE TO COMPLY WITH ANY OF THESE INSTRUCTIONS, CAUTIONS OR WARNINGS COULD RESULT IN IMPROPER APPLICATION, INSTALLATION AND/OR OPERATION OF THESE PRODUCTS IN AN EMERGENCY SITUATION, WHICH COULD RESULT IN PROPERTY DAMAGE, AND SERIOUS INJURY OR DEATH TO YOU AND/OR OTHERS.

General Notes:

- Strobes are designed to flash at 1 flash per second minimum over their "Regulated Voltage Range". Note that NFPA-72 specifies a flash rate of 1 to 2 flashes per second and ADA Guidelines specify a flash rate of 1 to 3 flashes per second.
- All candela ratings represent minimum effective Strobe intensity based on UL Standard 1971.
- Series NS Strobe products are listed under UL Standard 1971 for indoor use with a temperature range of 32°F to 120°F (0°C to 49°C) and maximum humidity of 93% (± 2%).
- Series NH horns are listed under UL Standard 464 for audible signal appliances (Indoor use only).
- "Regulated Voltage Range" is the newest terminology used by UL to identify the voltage range. Prior to this change UL used the terminology "Listed Voltage Range".

Table 1: Average RMS Current

E50 Speaker Strobes	E50 Strobe Current - Wall Mount						
	241575W	24MCW				24MCWH	
	1575cd	15cd	30cd	75cd	110cd	135cd	185cd
24 vdc	0.060	0.041	0.063	0.109	0.140	0.195	0.270
UL max*	0.090	0.060	0.092	0.165	0.220	0.300	0.420

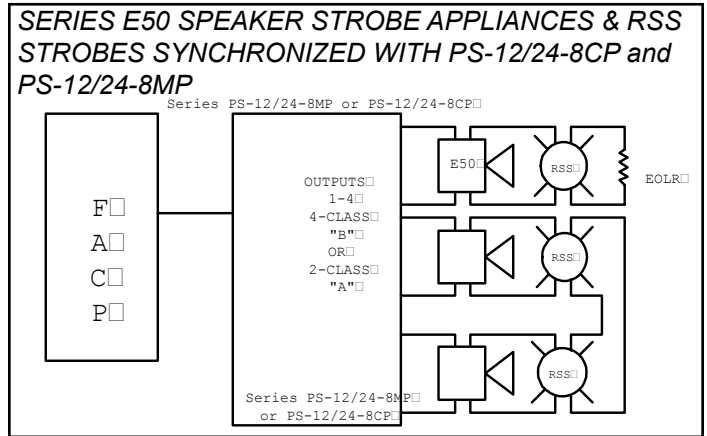
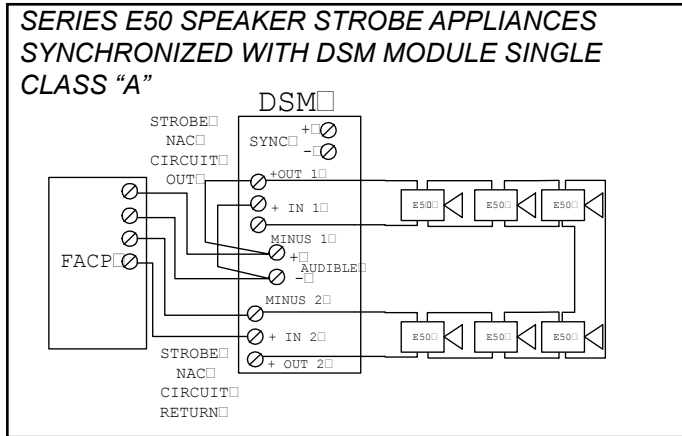
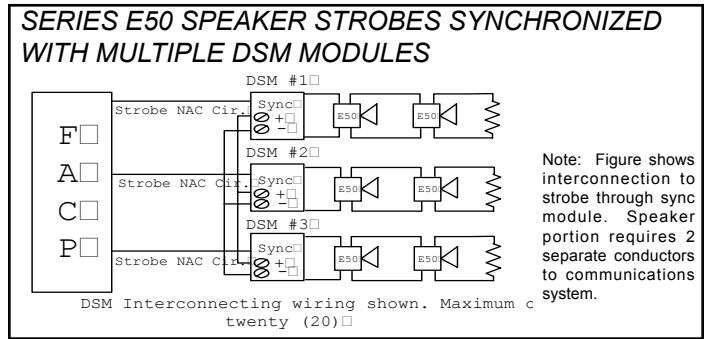
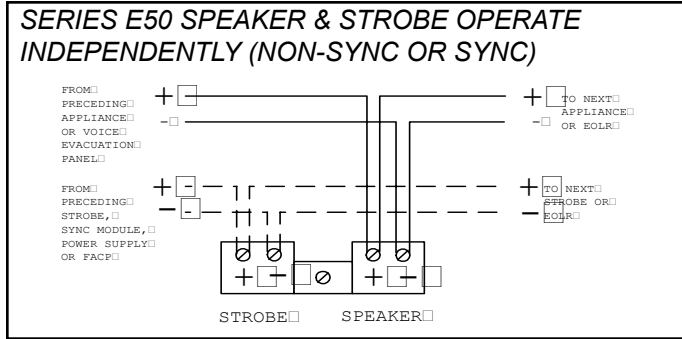
* RMS current ratings are per UL average RMS method. UL max current rating is the maximum RMS current within the listed voltage range (16-33v for 24v units). For strobes the UL max current is usually at the minimum listed voltage (16v for 24v units). For unfiltered FWR ratings, see installation instructions.

Table 2: E50 UL Reverberant dBA @ 10 Feet**

watts	1/8	1/4	1/2	1	2
E50 Speaker	77	79.5	82.5	85	88
E50 Speaker Strobe	77	79.5	82.5	85	88

**dBA ratings are based on UL testing under UL Standard 1480

Wiring Diagrams#



Specifications and Ordering Information

Model	Order Code	Wall Mount	Ceiling Mount	Strobe Candela	Grill Color	Flush Mount Bacbox	Surface Mount Backbox	Mounting Options	Agency Approvals				
									UL	MEA	CSFM	FM	BFP
E50-R	0222	X	X	-	Red	4' x 4" x 2-1/8"	E50SB-R	E,O,P,Q,R,U,Y,AA	X	*	X	X	*
E50-W	0223	X	X	-	White	4' x 4" x 2-1/8"	E50SB-W	E,O,P,Q,R,U,Y,AA	X	*	X	X	*
E50-241575W-FR	0224	X	-	15 (75 on Axis)	Red	4' x 4" x 2-1/8"	E50SSB-R	E,Q,U,BB	X	*	X	X	*
E50-241575W-FW	0225	X	-	15 (75 on Axis)	White	4' x 4" x 2-1/8"	E50-SSB-W	E,Q,U,BB	X	*	X	X	*
E50-24MCW-FR	0226	X	-	15/30/75/110	Red	4' x 4" x 2-1/8"	E50SSB-R	E,Q,U,BB	X	*	X	X	*
E50-24MCW-FW	0227	X	-	15/30/75/110	White	4' x 4" x 2-1/8"	E50-SSB-W	E,Q,U,BB	X	*	X	X	*
E50-24MCW-MW	5219	X	-	15/30/75/110	White	4' x 4" x 2-1/8"	E50-SSB-W	E,Q,U,BB	X	*	X	X	*
E50-24MCWH-FR	0228	X	-	135/185	Red	4' x 4" x 2-1/8"	E50SSB-R	E,Q,U,BB	X	*	X	X	*
E50-24MCWH-FW	0229	X	-	135/185	White	4' x 4" x 2-1/8"	E50-SSB-W	E,Q,U,BB	X	*	X	X	*

*PENDING

NOTE: Due to continuous development of our products, specifications and offerings are subject to change without notice in accordance with Wheelock Inc. standard terms and conditions.

Architects and Engineers Specifications

The speaker appliances shall be Wheelock Series E50 Speakers and the speaker strobe appliances shall be Wheelock Series E50 Speaker Strobes or approved equals. The speakers shall be UL Listed under Standard 1480 for Fire Protective Service and speakers equipped with strobes shall be listed under UL Standard 1971 for Emergency Devices for the Hearing-Impaired. In addition, the strobes shall be certified to meet the requirements of FCC Part 15, Class B.

All speakers shall be designed for a field selectable input of either 25 or 70 VRMS, with selectable power taps from 1/8 watt to 2 watts. All models shall have listed sound output of up to 89 dBA at 10 feet and a listed frequency response of 400 to 4000 Hz. The speaker shall incorporate a sealed back construction. All inputs shall employ terminals that accept #12 to #18 AWG wire sizes. The strobe portion of the appliance shall produce a flash rate of one (1) flash per second over the Regulated Voltage Range and shall be of low current design. Where Multi-Candela Speaker Strobes are specified, the strobe intensity shall have field selectable settings and shall be rated per UL Standard 1971 at 15/30/75/110cd or 135/185cd for wall mounting. The selector switch for selecting the candela shall be tamper resistant. The 1575 candela strobe shall be specified when 15 candela UL Standard 1971 Listing with 75 candela on-axis is required.

When synchronization is required, the strobe portion of the appliance shall be compatible with the Wheelock's SM, DSM sync modules or Wheelock PS-24-8MC Power Supply with built-in Patented Sync Protocol. The strobes shall not drift out of synchronization at any time during operation. If the sync module or Power Supply fails to operate, (i.e., contacts remain closed), the strobe shall revert to a non-synchronized flash rate.

The speaker and speaker strobe appliances shall be designed for indoor flush mounting to 4" x 2-1/8" electrical boxes without need for an extension ring or surface mounting to Wheelock's E50SB or E50SSB surface boxes. The speaker and speaker strobe shall incorporate a speaker mounting plate with a snap-on grille cover. The finish of the Series E50 speakers and speakers strobes shall be white or red.



WE ENCOURAGE AND SUPPORT NICET CERTIFICATION
3 YEAR WARRANTY

S0510 E50 02/08

[Click Here to Return to
Bill of Material/Index](#)

NJ Location
273 Branchport Ave.
Long Branch, NJ 07740
P: 800-631-2148
F: 732-222-8707
www.coopernotification.com

FL Location
7565 Commerce Ct.
Sarasota, FL 34243
P: 941-487-2300
F: 941-487-2389

VA Location
P: 877-459-7726
F: 703-294-6560



Strobe, Horn Strobe, and Horn Notification Appliances



Description:

The Wheelock® Exceder™ Series of notification appliances feature a sleek modern design that will please building owners with reduced total cost of ownership. Installers will benefit from its comprehensive feature list, including the most candela options in one appliance, low current draw, no tools needed for setting changes, voltage test points, 12/24 VDC operation, universal mounting base and multiple mounting options for both new and retrofit construction.

The Wheelock® Exceder™ Series incorporates high reliability and high efficiency optics to minimize current draw allowing for a greater number of appliances on the notification appliance circuit. All strobe models feature an industry first of 8 candela settings on a single appliance. Models with an audible feature 3 sound settings (90, 95, 99 dB). All switches to change settings, can be set without the use of a tool and are located behind the appliance to prevent tampering. Wall models feature voltage test points to take readings with a voltage meter for troubleshooting and AHJ inspection.

The Wheelock® Exceder™ Series of wall and ceiling notification appliances feature a Universal Mounting Base (UMB) designed to simplify the installation and testing of horns, strobes, and combination horn strobes. The separate universal mounting base can be pre-wired to allow full testing of circuit wiring before the appliance is installed and the surface is finished. It comes complete with a Contact Cover for protection against dirt, dust, paint and damage to the contacts. The Contact Cover also acts as a shunting device to allow pre-wire testing for common wiring issues. The Contact Cover is polarized to prevent it from being installed incorrectly and prevents the appliance from being installed while it is on the UMB. When the Contact Cover is removed the circuit will show an open until the appliance is installed. The UMB allows for consistent installation and easy replacement of appliances if required. Wall models provide an optional locking screw for extra secure installation, while the ceiling models provide a captivated screw to prevent the screw from falling during installation.

[Click Her to Return to Bill of Material/Index](#)

- Save up to **48%** in current draw*
- Up to **9** models now in **1** appliance
- Save up to **14%** cost of installation**


- Sleek Modern Aesthetics
- Finger Slide Switches
- Voltage Test Points
- Multiple Voltages
- 3 Audible Settings
90, 95, 99 dB
- 8 Candela Settings ***
Wall - 15/1575/30/75/95/110/135/185
Ceiling - 15/30/60/75/95/115/150/177
- Universal Mounting Base ***
Ceiling and Wall
Mounts to 5 Backbox Types
- Environmentally Friendly
Low Current Draw

Compatibility and Requirements

- Synchronize using the Wheelock® Sync Modules or panels with built-in Wheelock® Patented Sync Protocol
- Compatible with UL "Regulated Voltage" using filtered VDC or unfiltered VRMS input voltage
- Strobes produce 1 flash per second over the "Regulated Voltage" range

* Compared to competitive models
** Compared to previous models

*** Patented

NOTE: All CAUTIONS and WARNINGS are identified by the symbol . All warnings are printed in bold capital letters.

⚠ WARNING: PLEASE READ THESE SPECIFICATIONS AND ASSOCIATED INSTALLATION INSTRUCTIONS CAREFULLY BEFORE USING, SPECIFYING OR APPLYING THIS PRODUCT. VISIT WWW.COOPERNOTIFICATION.COM OR CONTACT COOPER NOTIFICATION FOR THE CURRENT INSTALLATION INSTRUCTIONS. FAILURE TO COMPLY WITH ANY OF THESE INSTRUCTIONS, CAUTIONS OR WARNINGS COULD RESULT IN IMPROPER APPLICATION, INSTALLATION AND/OR OPERATION OF THESE PRODUCTS IN AN EMERGENCY SITUATION, WHICH COULD RESULT IN PROPERTY DAMAGE, AND SERIOUS INJURY OR DEATH TO YOU AND/OR OTHERS.

General Notes:

General Notes:

- Strobes are designed to flash at 1 flash per second minimum over their "Regulated Voltage Range".
- All candela ratings represent minimum effective strobe intensity based on UL Standard 1971.
- Series Exceder Strobe products are Listed under UL Standards 1971 and 464 for indoor use with a temperature range of 32°F to 120°F (0°C to 49°C) and maximum humidity of 93% (± 2%) UL 464 (85% UL 1971).
- Series Exceder horns are under UL Standard 464 for audible signal appliances (Indoor use only).

Low Current Draw = Fewer Power Supplies

Strobe Ratings per UL Standard 1971

		UL Max Current*													
		24 VDC / 24 FWR												12 VDC	
Model	Regulated Voltage Range VDC	15	15/75	30	60	75	95	110	115	135	150	177	185	15	15/75
ST	8.0-33.0	0.057	0.070	0.085		0.135	0.163	0.182		0.205			0.253	0.110	0.140
STC	8.0-33.0	0.061		0.085	0.103	0.135	0.163		0.182		0.205	0.253		0.110	

Horn Strobe Ratings per UL 1971 & Anechoic at 24 VDC

		UL Max Current* at Anechoic 99 dBA													
		24 VDC												12 VDC	
Model	Regulated Voltage Range VDC	15	15/75	30	60	75	95	110	115	135	150	177	185	15	15/75
HS	8.0-33.0	0.082	0.095	0.102		0.148	0.176	0.197		0.242			0.282	0.125	0.159
HSC	8.0-33.0	0.082		0.102	0.141	0.148	0.176		0.197		0.242	0.282		0.125	

		UL Max Current* at Anechoic 95 dBA													
		24 VDC												12 VDC	
Model	Regulated Voltage Range VDC	15	15/75	30	60	75	95	110	115	135	150	177	185	15	15/75
HS	8.0-33.0	0.073	0.083	0.087		0.139	0.163	0.186		0.230			0.272	0.122	0.153
HSC	8.0-33.0	0.073		0.087	0.128	0.139	0.163		0.186		0.230	0.272		0.122	

		UL Max Current* at Anechoic 90 dBA													
		24 VDC												12 VDC	
Model	Regulated Voltage Range VDC	15	15/75	30	60	75	95	110	115	135	150	177	185	15	15/75
HS	8.0-33.0	0.065	0.075	0.084		0.136	0.157	0.184		0.226			0.267	0.120	0.148
HSC	8.0-33.0	0.065		0.084	0.120	0.136	0.157		0.184		0.226	0.267		0.120	

Horn Ratings per UL Anechoic

Model	Regulated Voltage Range VDC	99 dB	95 dB	90 dB
HN	16-33.0	0.064	0.044	0.022
HNC	16-33.0	0.084	0.044	0.022
HN	8.0-17.5	0.047	0.026	0.017
HNC	8.0-17.5	0.047	0.026	0.017



* UL max current rating is the maximum RMS current within the listed voltage range (16-33 VDC for 24 VDC units). For strobes the UL max current is usually at the minimum listed voltage (16 VDC for 24 VDC units). For audibles the max current is usually at the maximum listed voltage (33 VDC for 24 VDC units). For unfiltered ratings, see installation instructions.

Specification & Ordering Information

Model	Strobe Candela	Sync w/ DSM or Wheelock Power Supplies	12/24 VDC*	Mounting Options
Horn Strobes				
HSR	15/1575/30/75/95/110/135/185	X	X	UMB**
HSW	15/1575/30/75/95/110/135/185	X	X	UMB**
HSRC	15/30/60/75/95/115/150/177	X	X	UMB**
HSWC	15/30/60/75/95/115/150/177	X	X	UMB**
Strobes				
STR	15/1575/30/75/95/110/135/185	X	X	UMB**
STW	15/1575/30/75/95/110/135/185	X	X	UMB**
STRC	15/30/60/75/95/115/150/177	X	X	UMB**
STWC	15/30/60/75/95/115/150/177	X	X	UMB**
Horn				
HNR		X	X	UMB**
HNW		X	X	UMB**
HNRC		X	X	UMB**
HNWC		X	X	UMB**

Easy to remember model codes

8 candelas on 1 device

1 gang, 2 gang, 4" sq, 3.5" octal & 4" octal boxes

*12 VDC models feature 15 & 15/75 settings

**UMB = Universal Mounting Base

Model Legend

- HN = Horn
- ST = Strobe
- HS = Horn Strobe
- C = Ceiling Mount
- W = White
- R = Red
- A = Agent Lettering (Strobes only)
- AL = Alert Lettering (Strobes only)
- N = No Lettering (Strobes only)

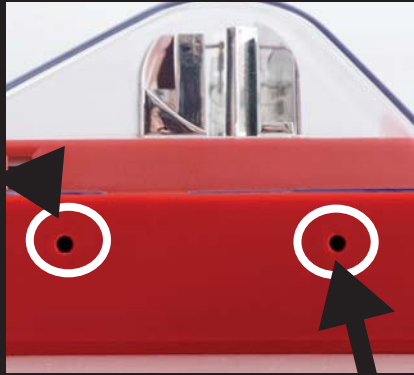
Example 1: STRC = Strobe, Red, Ceiling Mount
 Example 2: HSR = Horn Strobe, Red, Wall Mount
 Example 3: HSW = Horn Strobe, White, Wall Mount
 Example 4: STW-AL = Strobe, White, Wall Mount, Alert Lettering



Example: HSR



Example: HSWC



Voltage test points for quick troubleshooting and easy spot checking (wall models only)



8 candela settings



*UMB



Contact Cover

Common base for wall and ceiling with 5 mounting options

NOTE: Due to continuous development of our products, specifications and offerings are subject to change without notice in accordance with Cooper Wheelock Inc., dba Cooper Notification standard terms and conditions.

Architects and Engineers Specifications

The notification appliances shall be Wheelock® Exceder™ Series HS Audible Strobe appliances, Series ST Visual Strobe appliances and Series HN Audible appliances or approved equals. The Series HS and ST Strobes shall be listed for UL Standard 1971 (Emergency Devices for the Hearing-Impaired) for Indoor Fire Protection Service. The Series HS and HN Audibles shall be UL Listed under Standard 464 (Fire Protective Signaling). All Series shall meet the requirements of FCC Part 15 Class B. All inputs shall be compatible with standard reverse polarity supervision of circuit wiring by a Fire Alarm Control Panel (FACP) with the ability to operate from 8 to 33 VDC. Indoor wall models shall incorporate voltage test points for easy voltage inspection.

The Series HS Audible Strobe and ST Strobe appliances shall produce a flash rate of one (1) flash per second over the Regulated Voltage Range and shall incorporate a Xenon flashtube enclosed in a rugged Lexan® lens. The Series shall be of low current design. Where Multi-Candela appliances are specified, the strobe intensity shall have 8 field selectable settings at 15, 15/75, 30, 75, 95, 110, 135, 185 candela for wall mount and 15, 30, 60, 75, 95, 115, 150, 177 candela for ceiling mount. The selector switch for selecting the candela shall be tamper resistant. The 15/75 candela strobe shall be specified when 15 candela UL Standard 1971 Listing with 75 candela on-axis is required (e.g. ADA compliance). Appliances with candela settings shall show the candela selection in a visible location at all times when installed.

The audible shall have a minimum of three (3) field selectable settings for dBA levels and shall have a choice of continuous or temporal (Code 3) audible outputs.

The Series HS Audible Strobe, ST Strobe and Series HN Audible shall incorporate a patented Universal Mounting Base that shall allow mounting to a single-gang, double-gang, 4-inch square, 3.5-inch octal, 4-inch octal or 100mm European type back boxes. Two wire appliance wiring shall be capable of directly connecting to the mounting base. Continuity checking of the entire NAC circuit prior to attaching any notification appliances shall be allowed. Product shall come with Contact Cover to protect contact springs. Removal of an appliance shall result in a supervision fault condition by the Fire Alarm Control Panel (FACP). The mounting base shall be the same base among all horn, strobe, horn strobe, wall and ceiling models. All notification appliances shall be backwards compatible.

The Series HS and ST wall models shall have a low profile measuring 5.24" H x 4.58" W x 2.19" D. Series HN wall shall measure 5.24" H x 4.58" W x 1.6" D. The Series HSC and STC shall be round and have a low profile with a diameter of 6.68" x 2.63" D. Series HNC ceiling shall have a diameter of 6.68" x 1.50" D.

When synchronization is required, the appliance shall be compatible with Wheelock®'s DSM Sync Modules, Wheelock® Power Supplies or other manufacturer's panels with built-in Wheelock® Patented Sync Protocol. The strobes shall not drift out of synchronization at any time during operation. If the sync protocol fails to operate, the strobe shall revert to a non-synchronized flash-rate and still maintain (1) flash per second over its Regulated Voltage Range. The appliance shall also be designed so that the audible signal may be silenced while maintaining strobe activation when used with Wheelock® synchronization protocol.

Wall Appliances – UL Standard 1971, UL Standard 464, California State Fire Marshal (CSFM), ULC, FM

Ceiling Appliances – UL Standard 1971, UL Standard 464, California State Fire Marshal (CSFM), ULC, FM



WE ENCOURAGE AND SUPPORT NICET CERTIFICATION
3 YEAR WARRANTY

Exceder - Spec Sheet 6/11

[Click Her to Return to
Bill of Material/Index](#)

NJ Location
273 Branchport Ave.
Long Branch, NJ 07740
P: 800-631-2148
F: 732-222-8707
www.coopernotification.com

Cooper Notification is

Wheelock®   



**COOPER**Notification

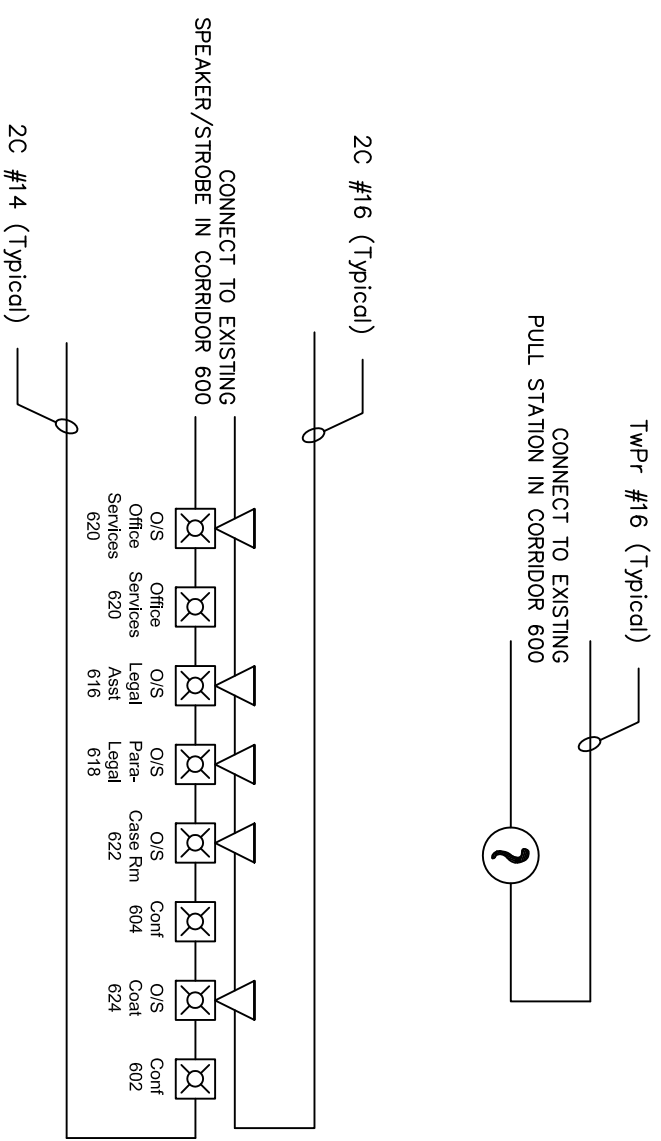
**Click Here to Return to
Bill of Material/Index**

LEGEND:

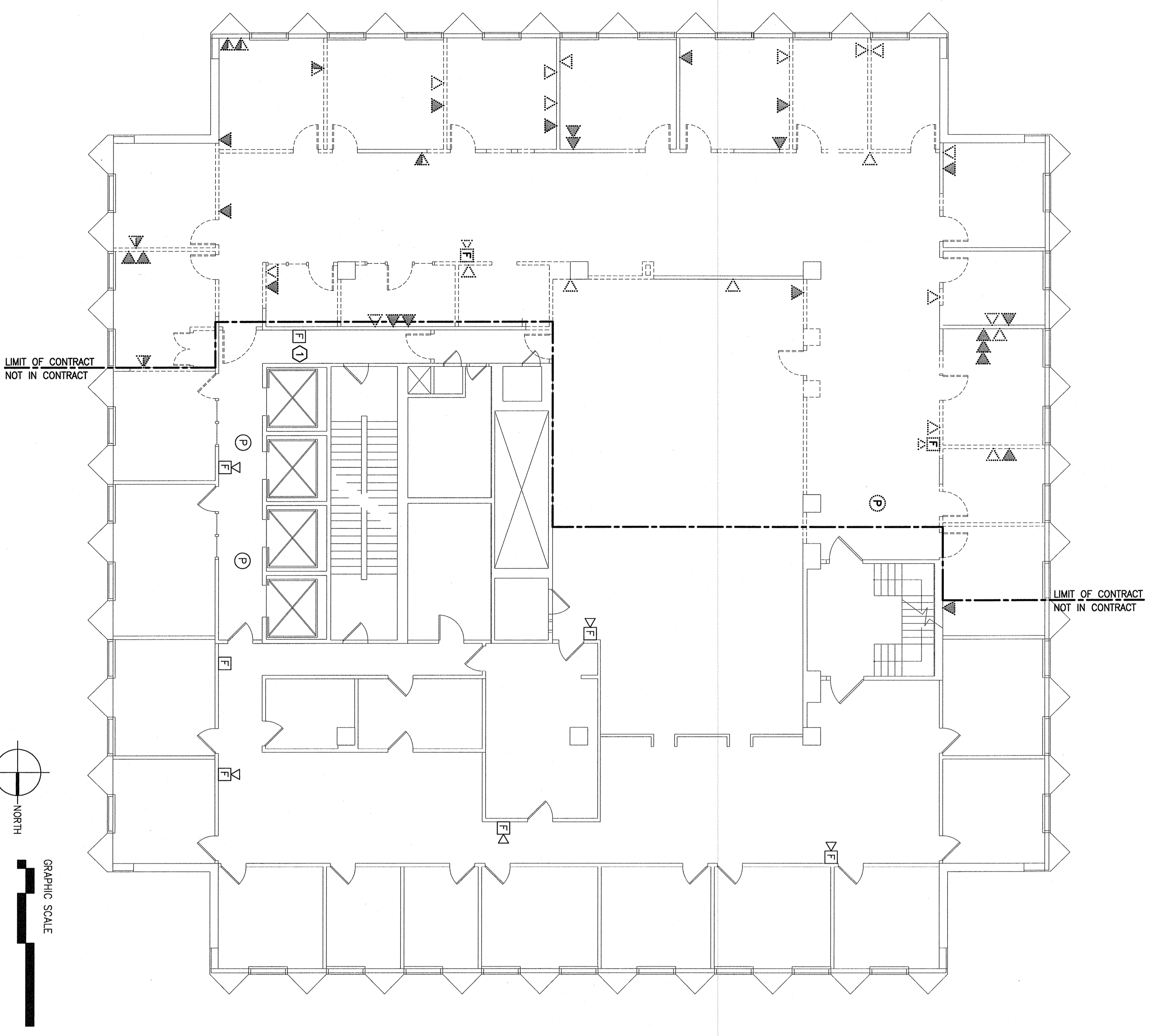
RISER DIAG SYM	CONTRACT DWG SYM	NFPA SYMBOL *	DESCRIPTION	CATALOG #
?	P	?	SMOKE DETECTOR	ADS-PL2F
X	F	X	STROBE UNIT	STR
X	F	X	SPEAKER STROBE	E50-24MCW-FR

GENERAL NOTES:

1. ALL WIRING IN ACCORDANCE WITH NATIONAL ELECTRICAL CODE, APPROPRIATE STATE AND LOCAL CODES, AND MANUFACTURER'S REQUIREMENTS & RECOMMENDATIONS.
2. LOCATION OF REAR STAIRWELL MANUAL STATIONS SHALL BE REVIEWED FOR PROPER LOCATION AND CODE COMPLIANCE.

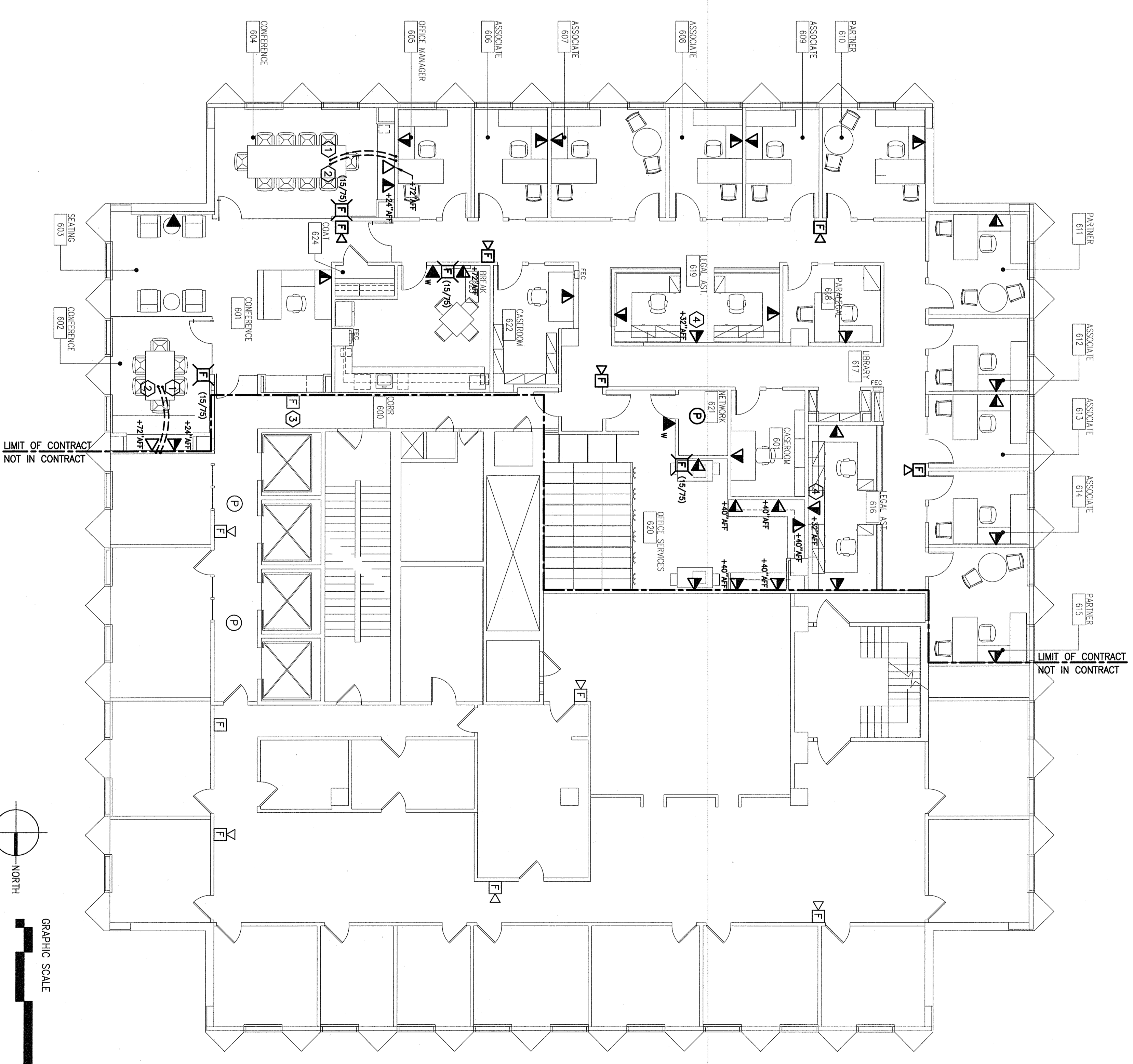


	 <p style="font-size: small;">P.O. BOX 770 131 LAFAYETTE RD NO. WASHINGTON NH 03262 1-603-254-7264</p>	<p>DWG NAME: 1 Monument Square Portland, ME 6th Floor Renovation Fire Alarm Riser Diagram</p> <p>DWG No: 1MS_6_Rsr</p>	
REV. DESCRIPTION	DATE DRWN: RW'D:	10/12 LG/DH TD	0 Original Issue



1 SYSTEMS DEMOLITION PLAN

1/8" = 1'-0"



2 SYSTEMS RENOVATION PLAN

1/8" = 1'-0"

KEYED NOTE – DEMOLITION PLAN:

- ① REMOVE PULL STATION AND SAW FOR NEW WORK

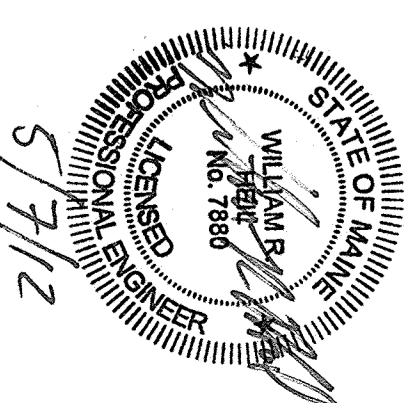
KEYED NOTES – RENOVATION PLAN:

- ① PROVIDE 1-1/2" CONDUIT BELOW FLOOR AS REQUIRED FOR CONNECTION TO TEL/DATA CONFERENCE TABLE.
- ② PROVIDE 1-1/2" CONDUIT BELOW FLOOR AS REQUIRED FOR A/V CABLE CONNECTION TO CONFERENCE TABLE.
- ③ REINSTALL EXISTING FIRE ALARM DEVICE.
- ④ MOUNT TEL-DATA DEVICE BOX HORIZONTALLY.

NOTE:
1. SEE SHEET E-001 FOR LEGEND AND GENERAL NOTES.

Click Here to Return to Bill of Material/Index

<p>This drawing is the property of Associated Space Design, Inc. and is not to be reproduced or copied in whole or in part. It is to be used only for the project and is to be returned upon request. Spaces as shown are subject to change without notice. Associated Space Design, Inc. 2011</p>	
<p>PROJECT NO. 10644.00 DRAWN BY: CDS CHECKED BY: WRH</p>	<p>DATE: 05/09/2012 REVISIONS: NO. DATE DESCRIPTION 0 05/09/12 FOR LAYOUT AND REVISIONS 1 05/09/12 FOR LAYOUT AND REVISIONS</p>
<p>PROJECT TITLE: SYSTEMS PLANS</p>	
<p>PROJECT ADDRESS: ONE MONUMENT SQUARE, PORTLAND, MAINE</p>	



FISHER & PHILLIPS, LLP.
PORTLAND, MAINE
ONE MONUMENT SQUARE
6TH FLOOR
PROJECT ADDRESS
PORTLAND, MAINE

SMRT
ARCHITECTURE
ENGINEERING
PLANNING
INTERIOR DESIGN
COMMISSIONING
144 Fore Street/P.O. Box 618
Portland, Maine 04104
tel. (207) 772-3846
fax. (207) 772-1070
www.smrtinc.com

INTERIORS ARCHITECTURE GRAPHICS
ASD
Atlanta Tampa San Francisco Jacksonville 55 Ivan Allen Jr. Blvd., Suite 100
Washington, DC Birmingham South Florida T 404.888.3318 F 404.888.2255

EY1.06