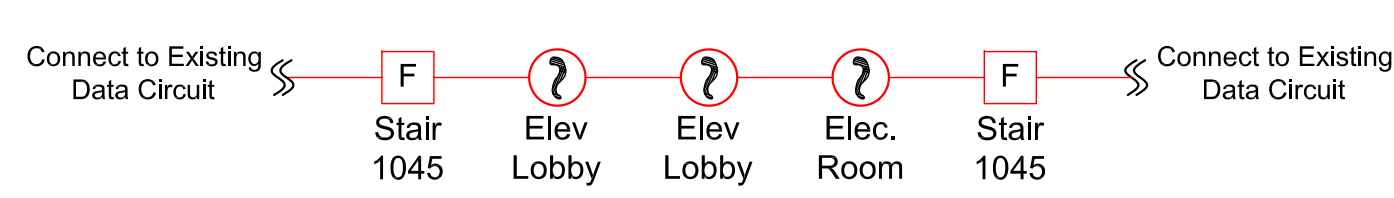
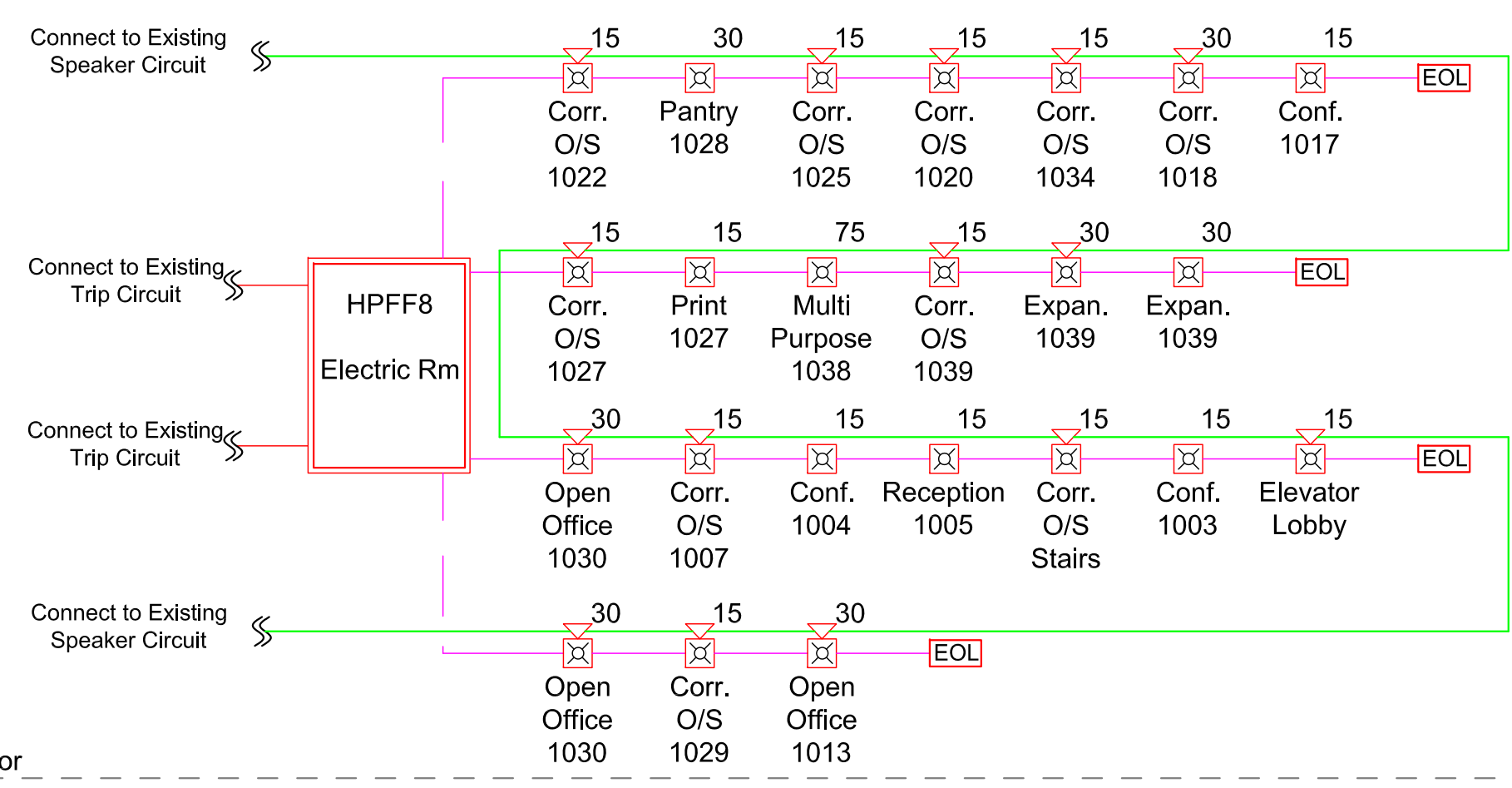


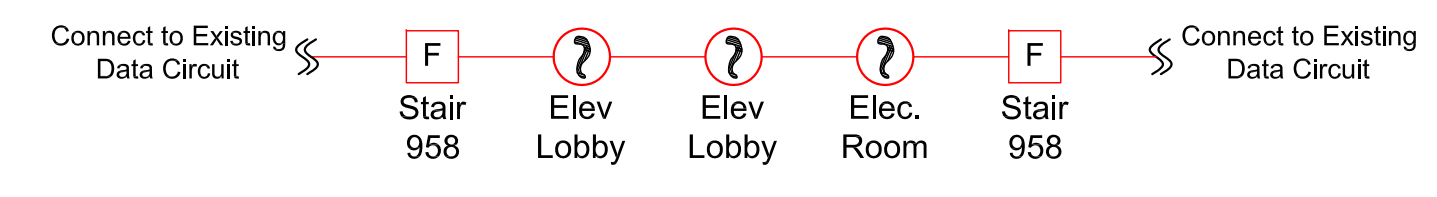
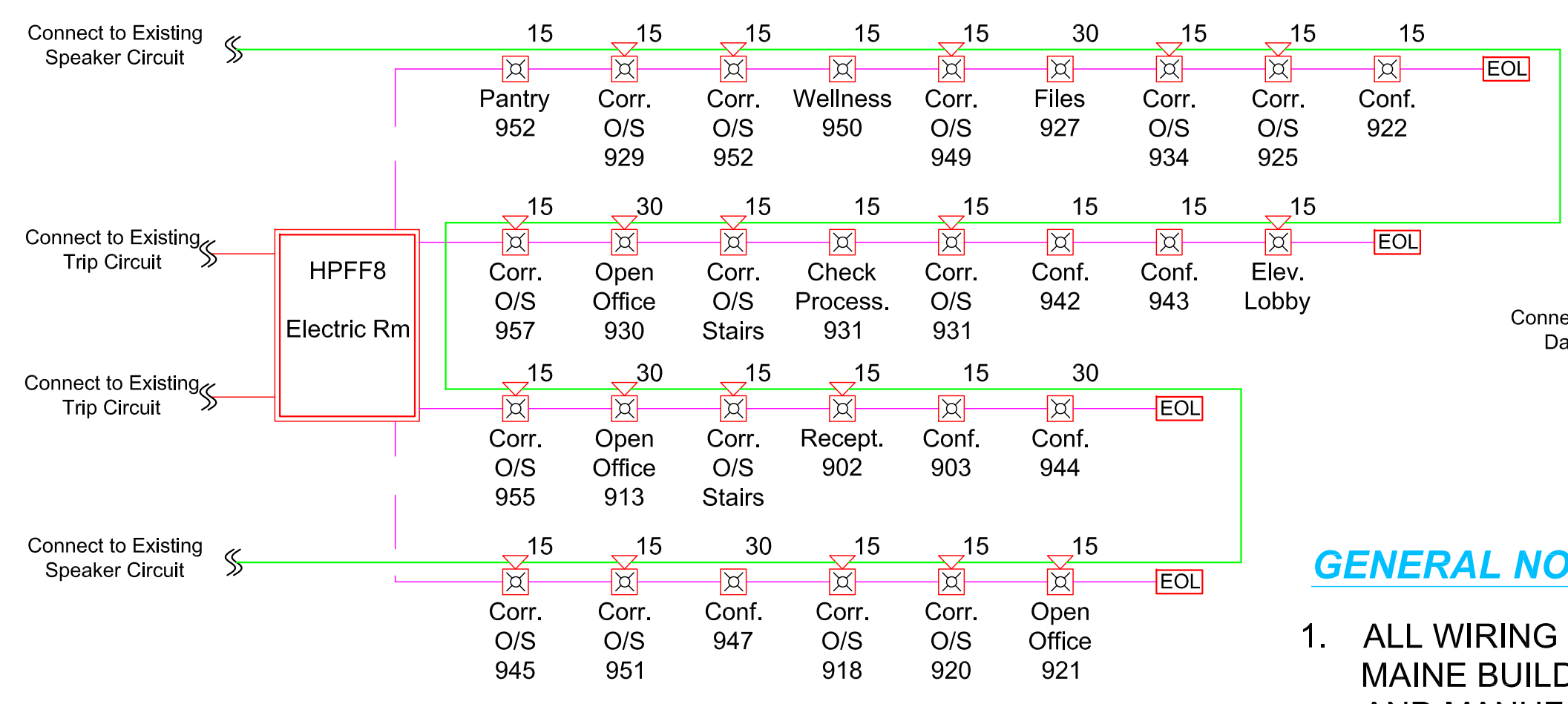


| REV. | DATE | DESCRIPTION | DRWN: | IRW/D: |
|------|------|----------------|-------|--------|
| 0 | 6/15 | Original Issue | | |



10th Floor

9th Floor



GENERAL NOTES:

1. ALL WIRING IN ACCORDANCE WITH NATIONAL ELECTRIC CODE, STATE OF MAINE BUILDING CODE (IBC), LOCAL AUTHORITY HAVING JURISDICTION, AND MANUFACTURER'S REQUIREMENTS AND RECOMMENDATIONS.
2. DEVICE CANDELA RATING SHALL BE SET AS LISTED ON PLAN/RISER.

WIRING NOTES:

1. ALL ADDRESSABLE DEVICES MUST BE INSTALLED IN A HEATED LOCATION.
2. Addressable devices on floors are existing and shall remain in existing locations.
3. Strobe circuits consist of a minimum: 2c #14 from Booster Panel to 1st device, 2c #14 through remaining devices on circuit and end at End of Line Resistor.
4. Speaker circuits consist of a minimum: (1) Twisted Non-shielded #14 pair from FACP/FATC to 1st device, (1) Twisted non-shielded #16 pair through remaining devices on circuit and end at End of Line Resistor.

LEGEND:

| RISER DIAG SYM | CONTRACT DWG SYM | NFPA SYMBOL* | DESCRIPTION | CATALOG # |
|----------------|------------------|--------------|----------------|--------------|
| ? | P | ? | SMOKE DETECTOR | ASD-PL2F |
| F | F | F | PULL STATION | MS-7AF |
| ⊗ | F | ⊗ | SPEAKER/STROBE | E50-24MCW-FR |
| ⊗ | F | ⊗ | STROBE UNIT | STR |