

NOTE:

1. SEE SHEET PL001 FOR LEGEND AND ABBREVIATIONS.

PLUMBING FIXTURE CONNECTION SCHEDULE					
FIXTURE	CW	HW	WASTE	VENT	NOTES
SINK	1/2"	1/2"	1-1/2"	1-1/2"	①

NOTES: ① PROVIDE A SHOCK ABSORBER WITH SHUT-OFF VALVE AT TOP OF CW AND HW DROPS-ACCESSIBLE.

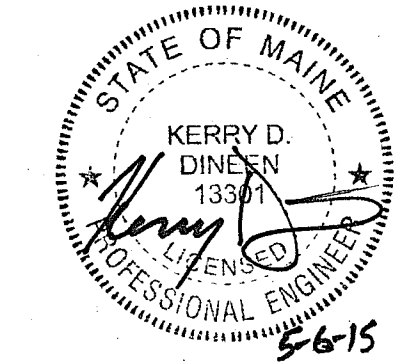
PLUMBING SPECIALTIES SCHEDULE				
TAG	APPLICATION	TYPICAL UNIT MFG & MODEL NO.	DESCRIPTION	NOTES
WB-A	ICE MAKER BOX	GUY GRAY #BM875	18 GAUGE STAINLESS STEEL, RECESSED BOX.	

NOTES: ①

PLUMBING FIXTURE SCHEDULE						
TAG	DESCRIPTION	FIXTURE	FAUCET/DRAIN	TRIM	SUPPORT	NOTES
SK-A	KITCHEN SINK	JUST #US-ADA-1824-A 18 GAUGE SS, UNDERMOUNT SINGLE BOWL	ELKAY FAUCET AND SIDESPRAY #LK7922SSS, JUST #J-35 BASKET DRAIN	MCGUIRE #LFH171LK LOOSE KEY ANGLE STOPS, ESCUTCHEONS AND RISERS-CHROME PLATED.	-	①
SK-B	WELLNESS SINK	JUST #US-ADA-1824-A 18 GAUGE SS, UNDERMOUNT SINGLE BOWL	ELKAY FAUCET #LK792121SSS JUST #J-35-FS GRID DRAIN	MCGUIRE #LFH171LK LOOSE KEY ANGLE STOPS, ESCUTCHEONS AND RISERS-CHROME PLATED.	-	①②

NOTES: ① PROVIDE TRUEBRO #LAV GUARD 2 UNDERSINK PIPING COVERS.
 ② PROVIDE FOLLETT #00130229 FILTER KIT ON COLD WATER LINE PRIOR TO SINK CONNECTION.

SMRT ARCHITECTURE 144 Fore Street/P.O. Box 618
 ENGINEERING Portland, Maine 04104
 PLANNING tel. (207) 772-3848
 INTERIOR DESIGN fax. (207) 772-1070
 COMMISSIONING www.smrtinc.com
 SMRT PROJECT #15035



REVISIONS

BANK OF AMERICA - 9TH & 10TH FLOORS

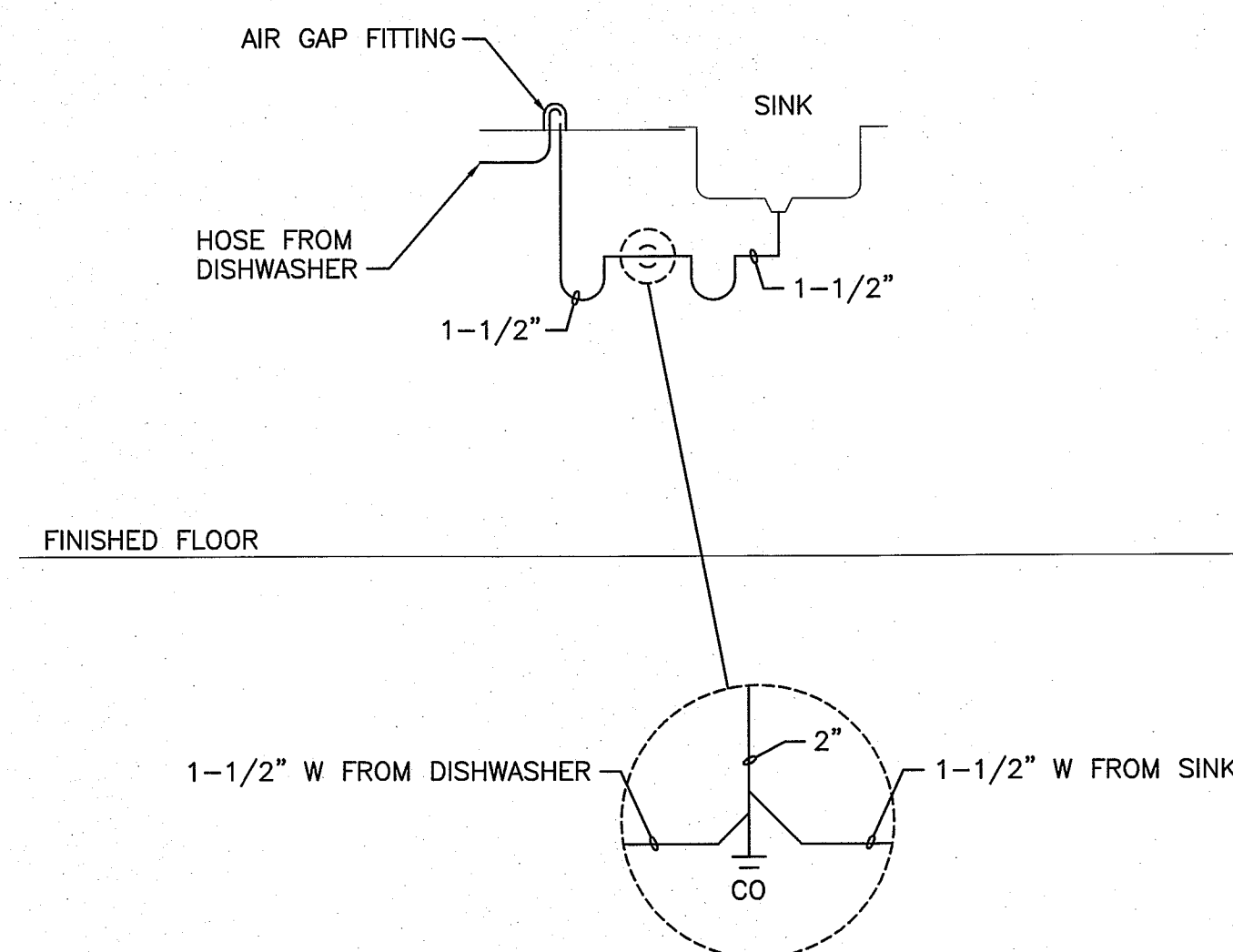
BANK OF AMERICA
 1 MONUMENT SQUARE
 Portland, ME

TITLE
 PLUMBING DETAILS
 AND SCHEDULES

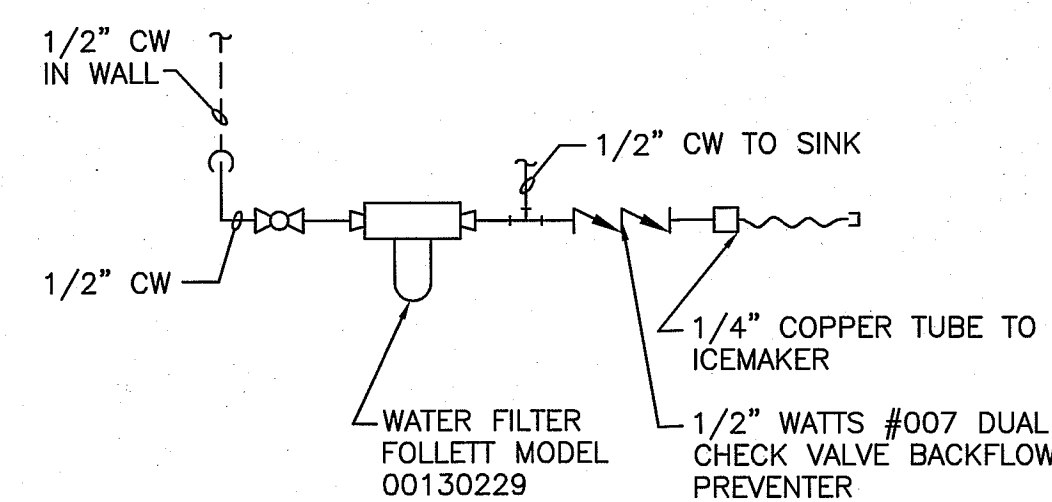
DATE **JOB NO.**
 May 11, 2015 15051.00

DRAWING NO. **PL501**

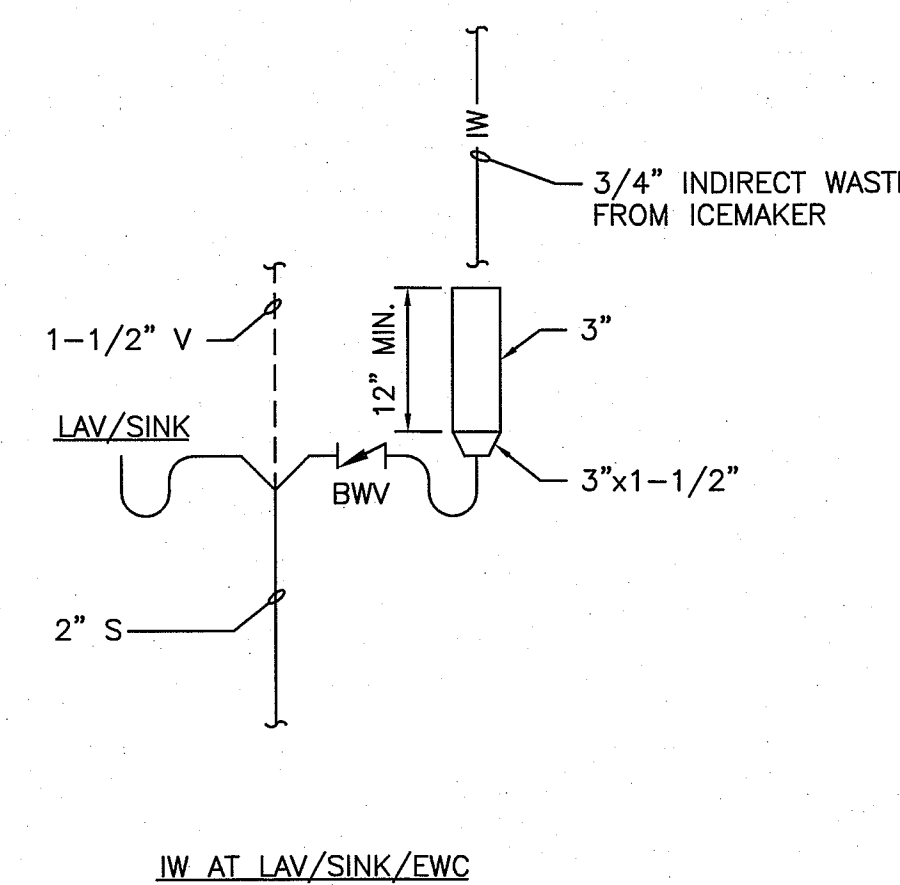
ISSUED FOR CONSTRUCTION



1 DISHWASHER CONNECTION DETAIL
 NOT TO SCALE



2 UNDERCOUNTER FILTER DETAIL
 NOT TO SCALE



3 INDIRECT WASTE CONNECTION DETAIL
 NOT TO SCALE