

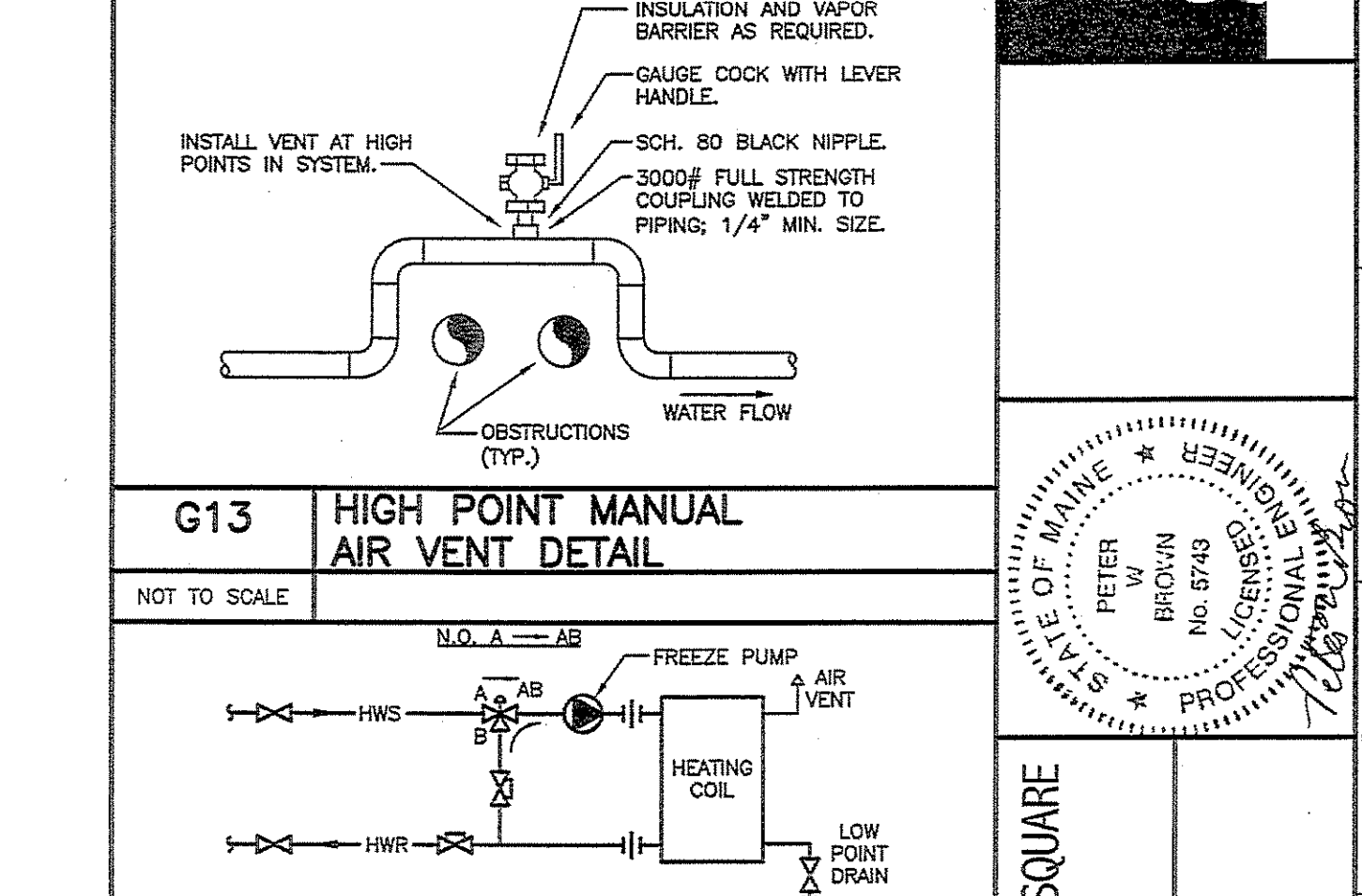
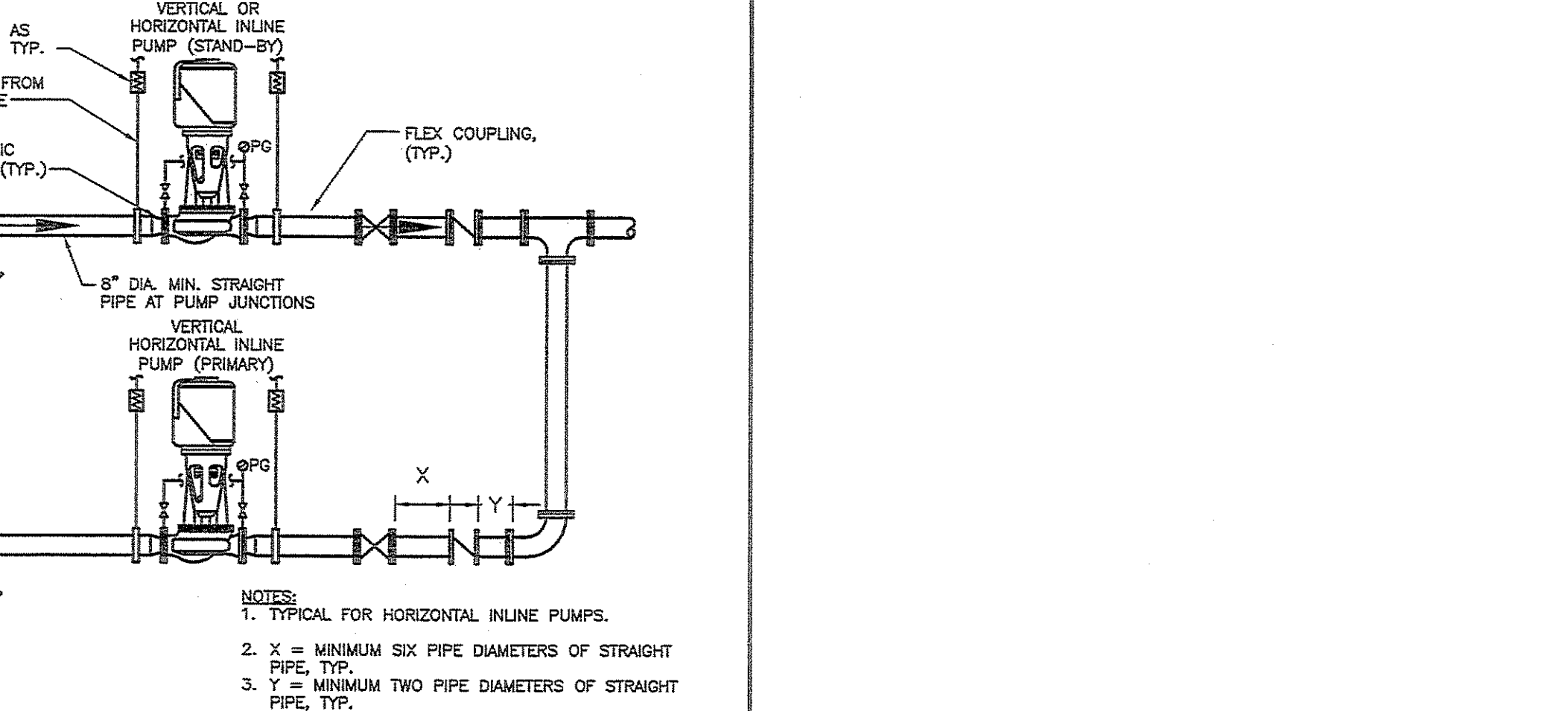
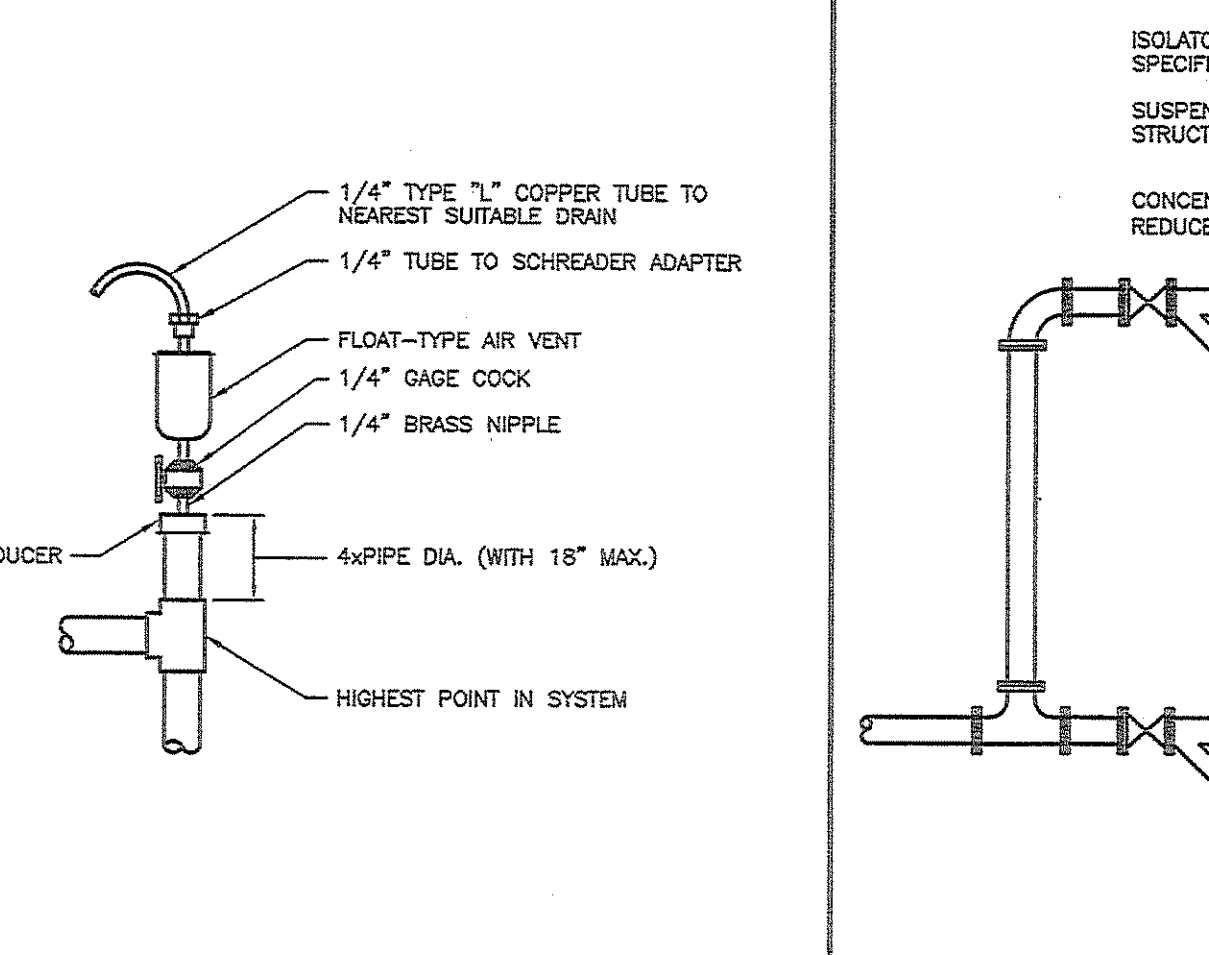
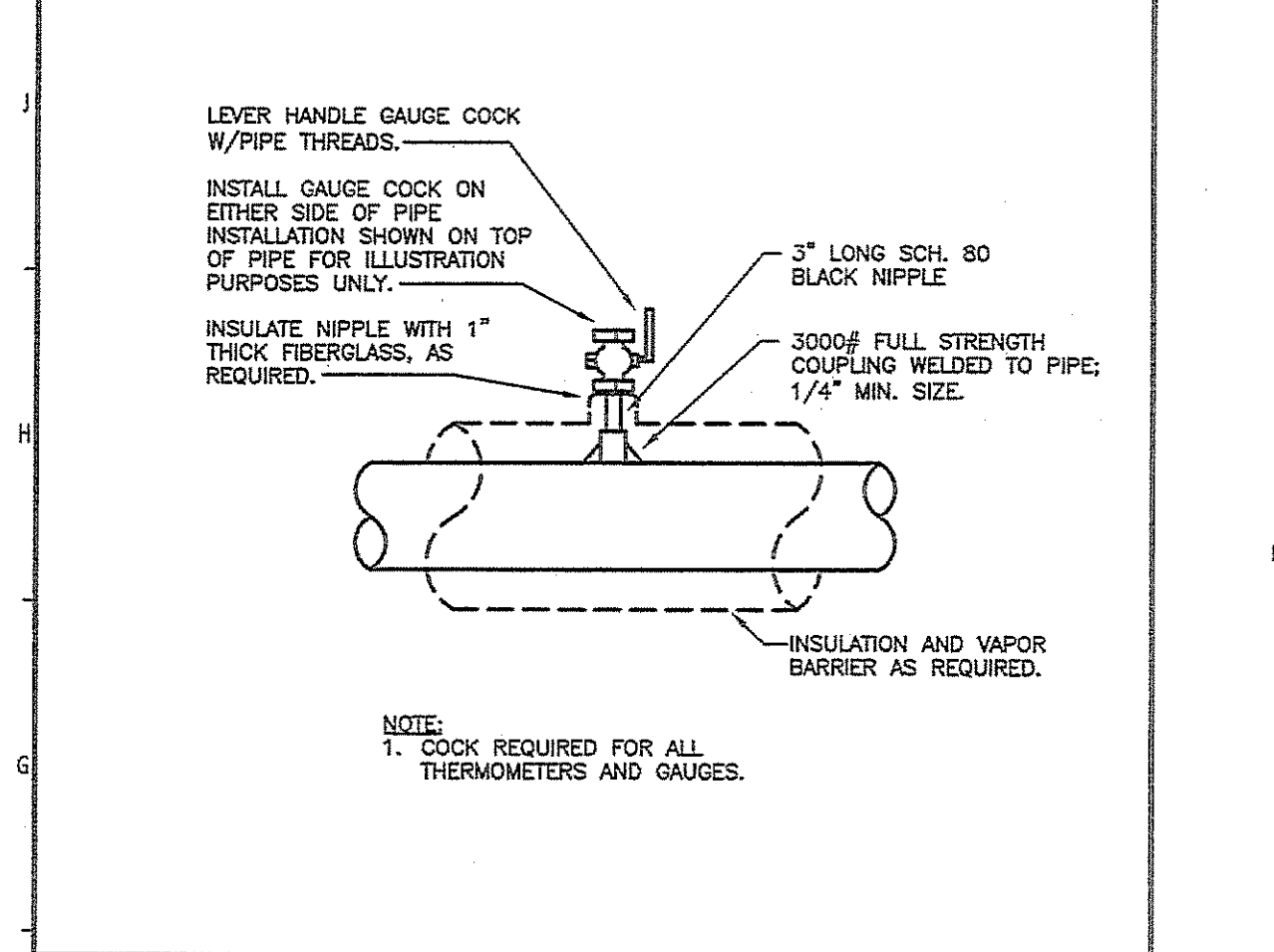
**NOTE:**  
1. SEE SHEET M-001 FOR LEGEND AND ABBREVIATIONS.

**J1 THERMOMETER & THERMOWELL INSTALLATION**  
NOT TO SCALE

**J4 CONDENSATE PUMP & RECEIVER DETAIL**  
NOT TO SCALE

**J13 RECTANGULAR DUCT MAIN AND BRANCH TAKE OFFS DETAIL**  
NOT TO SCALE

**J13 RECTANGULAR DUCT MAIN AND BRANCH TAKE OFFS DETAIL**  
NOT TO SCALE

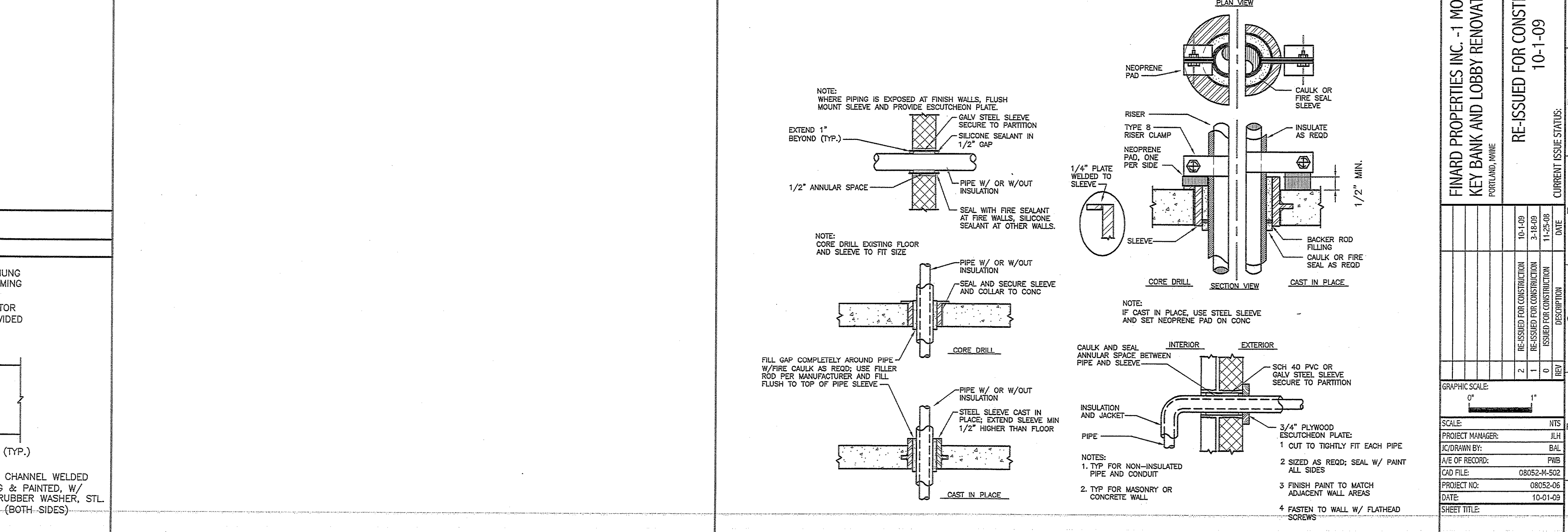
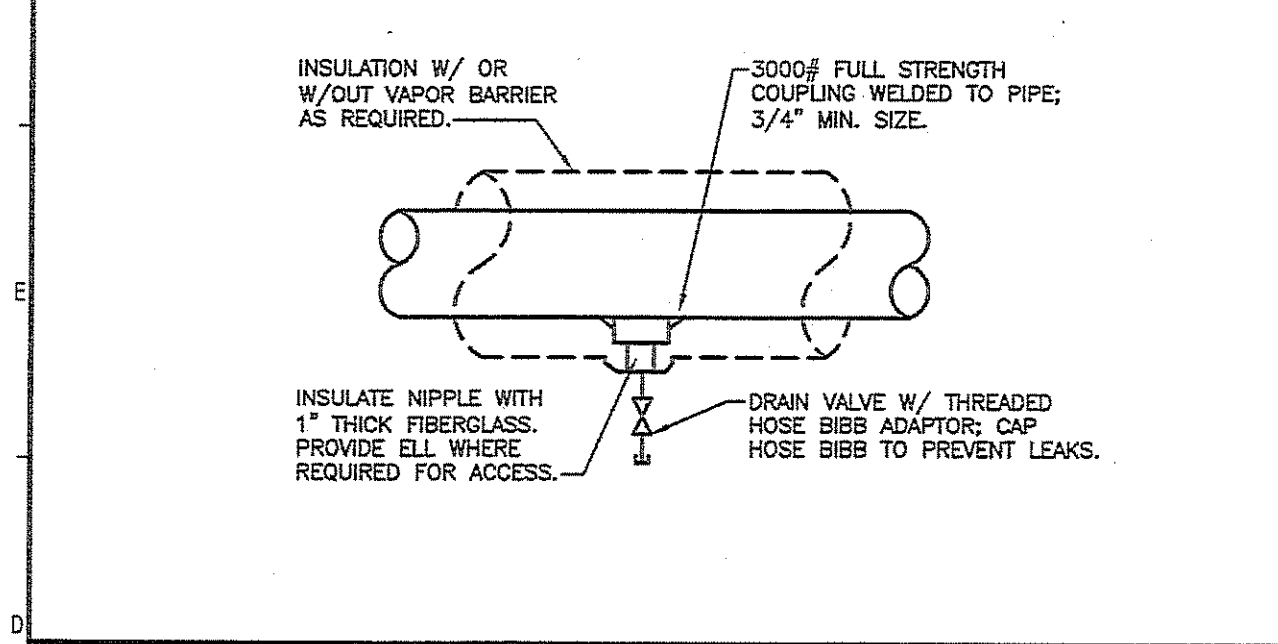


**F1 GAUGE COCK INSTALLATION DETAIL**  
NOT TO SCALE

**F4 AUTOMATIC AIR VENT ASSEMBLY**  
NOT TO SCALE

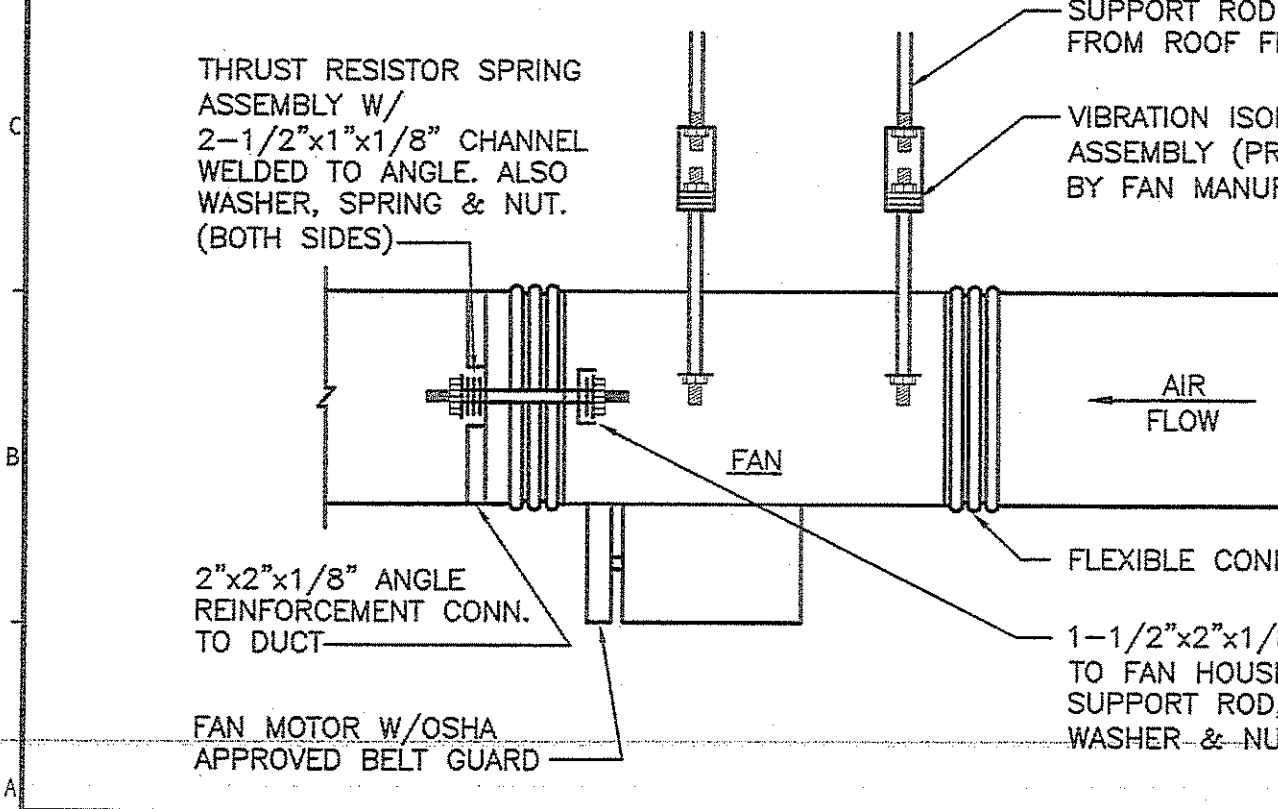
**F6 IN-LINE PUMP PIPING DETAIL**  
NOT TO SCALE

**F13 TYPICAL 3-WAY W/ FREEZE PUMP**  
NOT TO SCALE



**D1 DRAIN VALVE INSTALLATION DETAIL**  
NOT TO SCALE

**A10 PIPE PENETRATION DETAILS**  
NOT TO SCALE



**A10 PIPE PENETRATION DETAILS**  
NOT TO SCALE

**A1 INLINE FAN WITH THRUST RESISTOR, CEILING MOUNT**  
NOT TO SCALE

**A10 PIPE PENETRATION DETAILS**  
NOT TO SCALE

144 Free Street P.O. Box 618  
Portland, Maine 04104  
Tel. (207) 772-3946  
Fax. (207) 772-1070  
www.smri.com

ARCHITECTURE  
ENGINEERING  
PLANNING  
INTERIOR DESIGN  
COMMISSIONING

**SMRI**

FINARD PROPERTIES INC. - 1 MONUMENT SQUARE  
KEY BANK AND LOBBY RENOVATION  
PORTLAND, MAINE

RE-ISSUED FOR CONSTRUCTION  
10-1-09

CURRENT ISSUE STATUS:

REV	DESCRIPTION	DATE
2	RE-ISSUED FOR CONSTRUCTION	10-1-09
1	RE-ISSUED FOR CONSTRUCTION	3-18-09
0	ISSUED FOR CONSTRUCTION	11-25-08
0	REV	

GRAPHIC SCALE:  
0" 1"

SCALE: INTS

PROJECT MANAGER: JLT  
I/C/DRAWN BY: BAL  
A/E OF RECORD: PWB  
CAD FILE: 08052-M-502  
PROJECT NO: 08052-06  
DATE: 10-01-09  
SHEET TITLE:

DETAILS

SHEET No. M-502