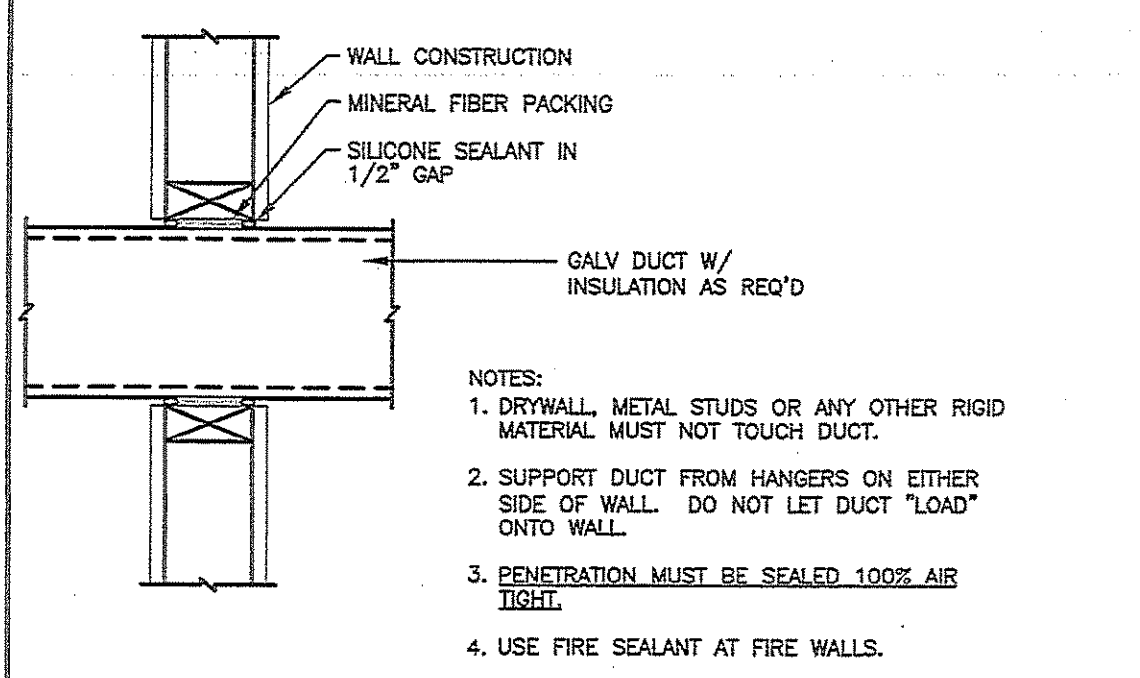
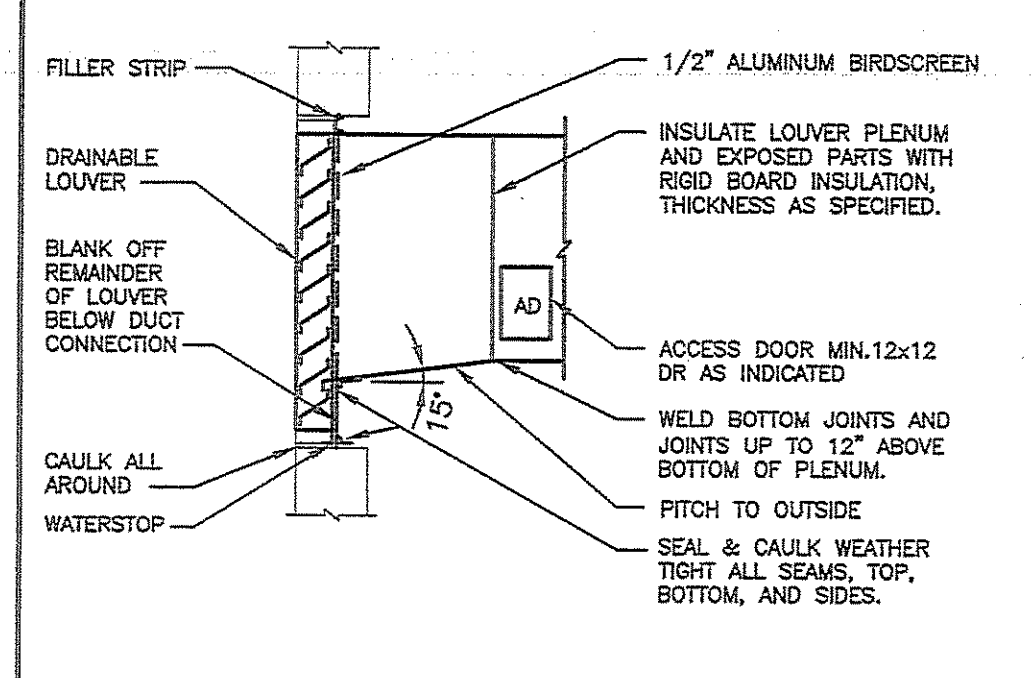
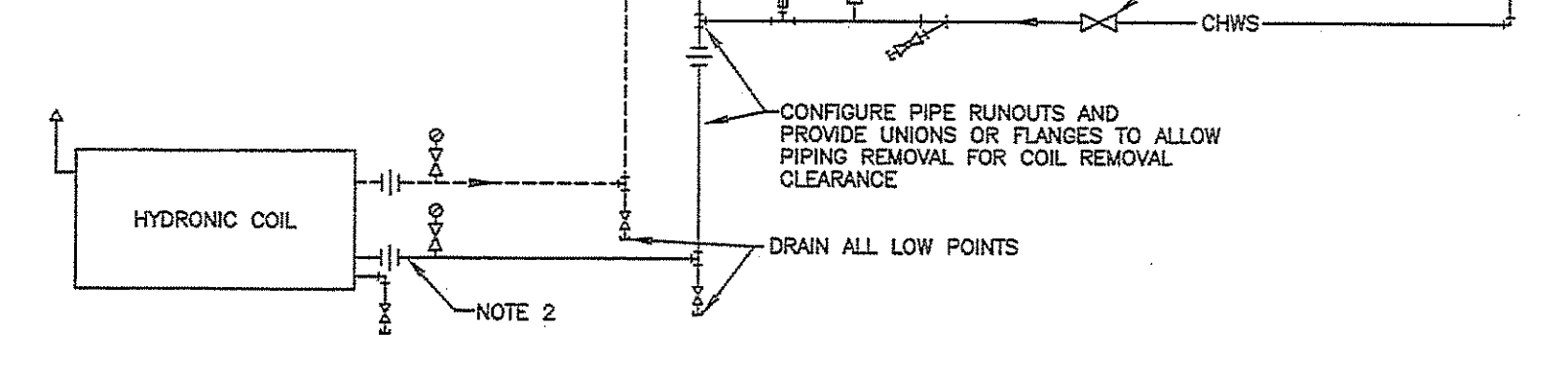


- NOTES:**
1. SHUTOFF VALVES: BALL VALVE FOR 2" AND SMALLER, BUTTERFLY VALVES FOR 2-1/2" AND LARGER.
 2. CONNECT THE WATER SUPPLY TO THE AIR LEAVING SIDE AND THE WATER RETURN TO THE AIR ENTERING SIDE.
 3. PROVIDE DIELECTRIC NIPPLES OR FLANGES WHERE DISSIMILAR METALS OCCUR.
 4. MINIMUM 5 PIPE DIA. OF STRAIGHT PIPE AT INLET AND OUTLET OF CIRCUIT SETTERS.



NOTE:
1. SEE SHEET M-001 FOR LEGEND AND ABBREVIATIONS.

144 Fore Street/P.O. Box 618
Portland, Maine 04104
Tel: (207) 775-3846
Fax: (207) 775-1070
www.smrtinc.com

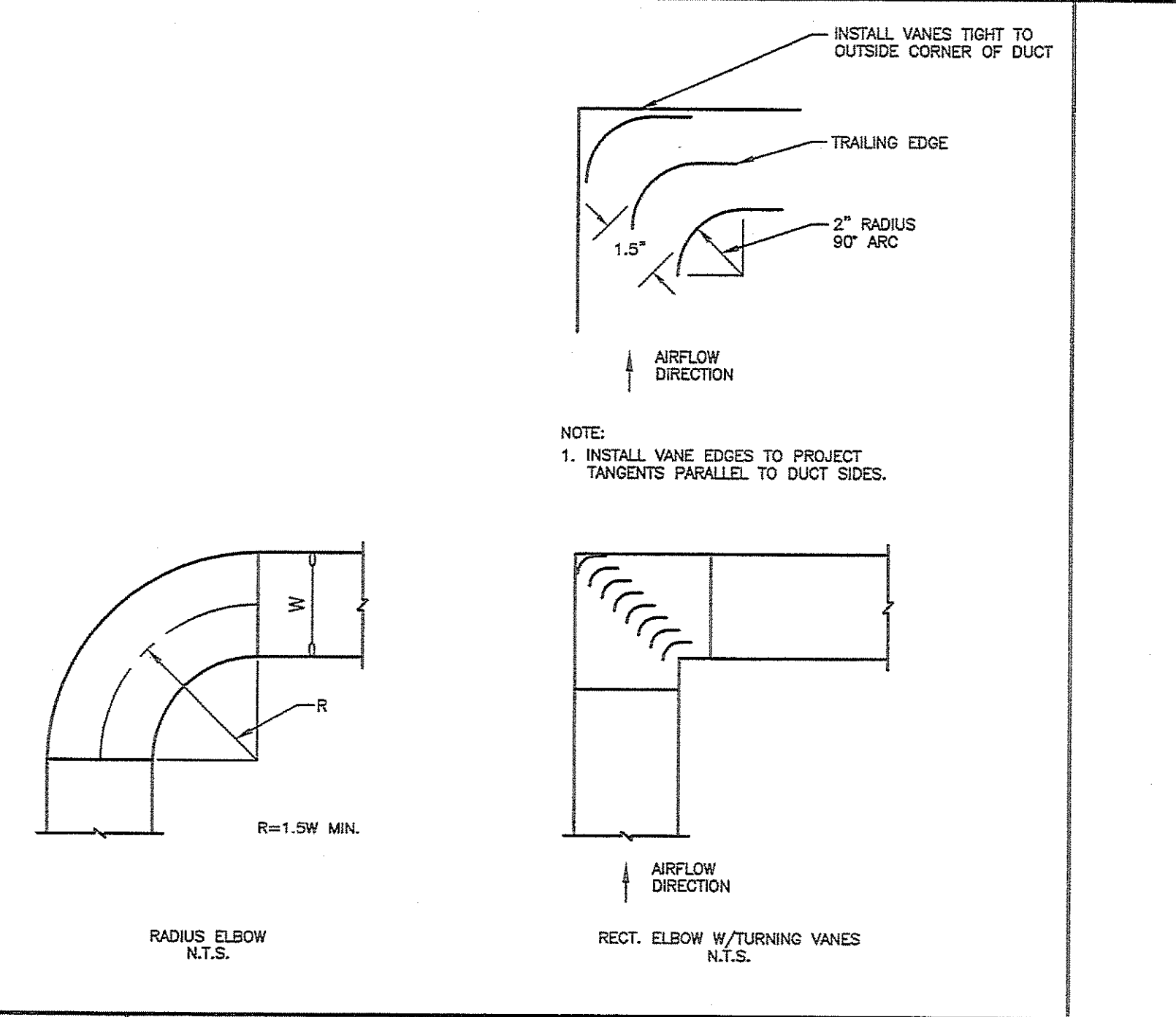
ARCHITECTURE
ENGINEERING
PLANNING
INTERIOR DESIGN
COMMISSIONING



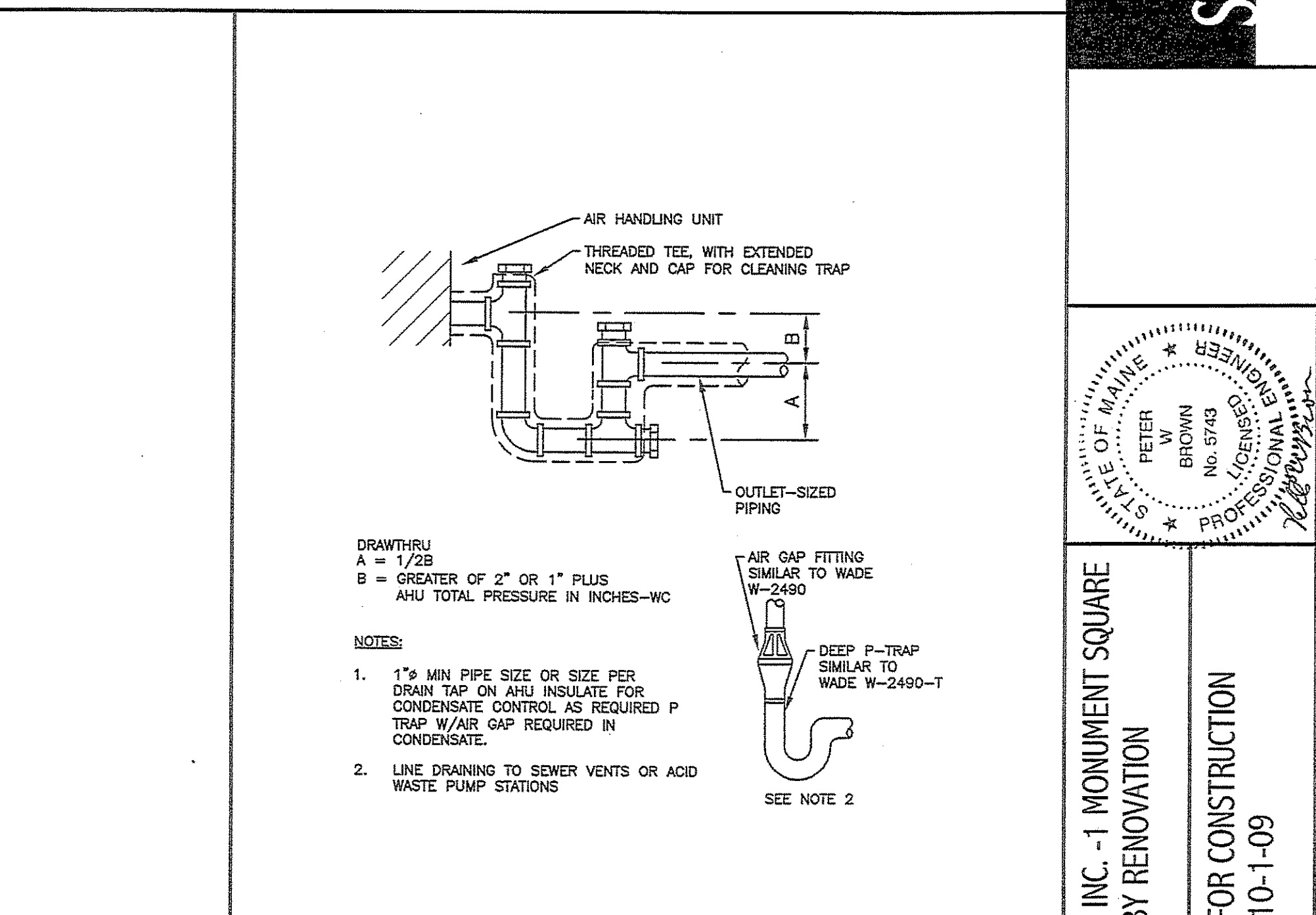
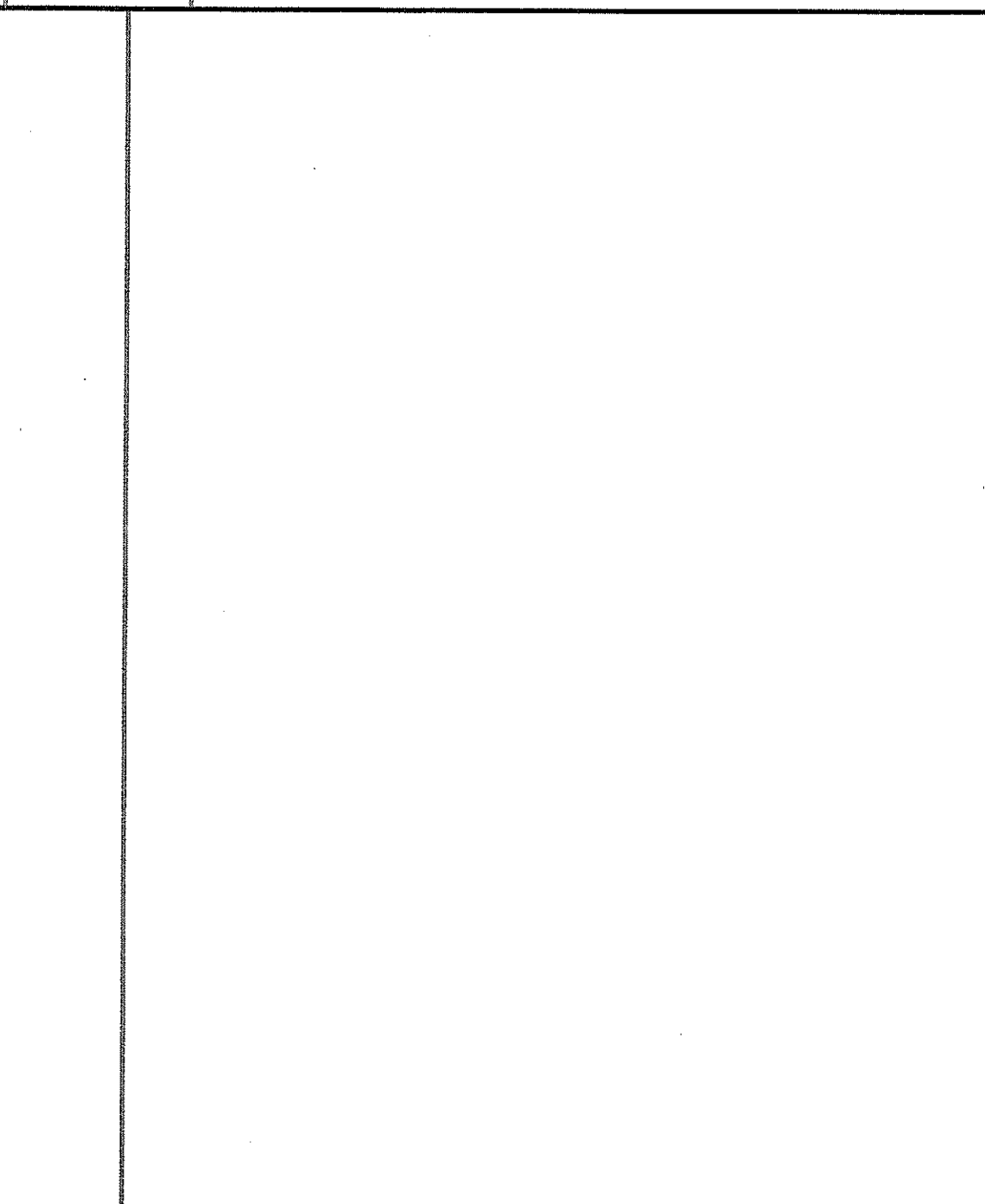
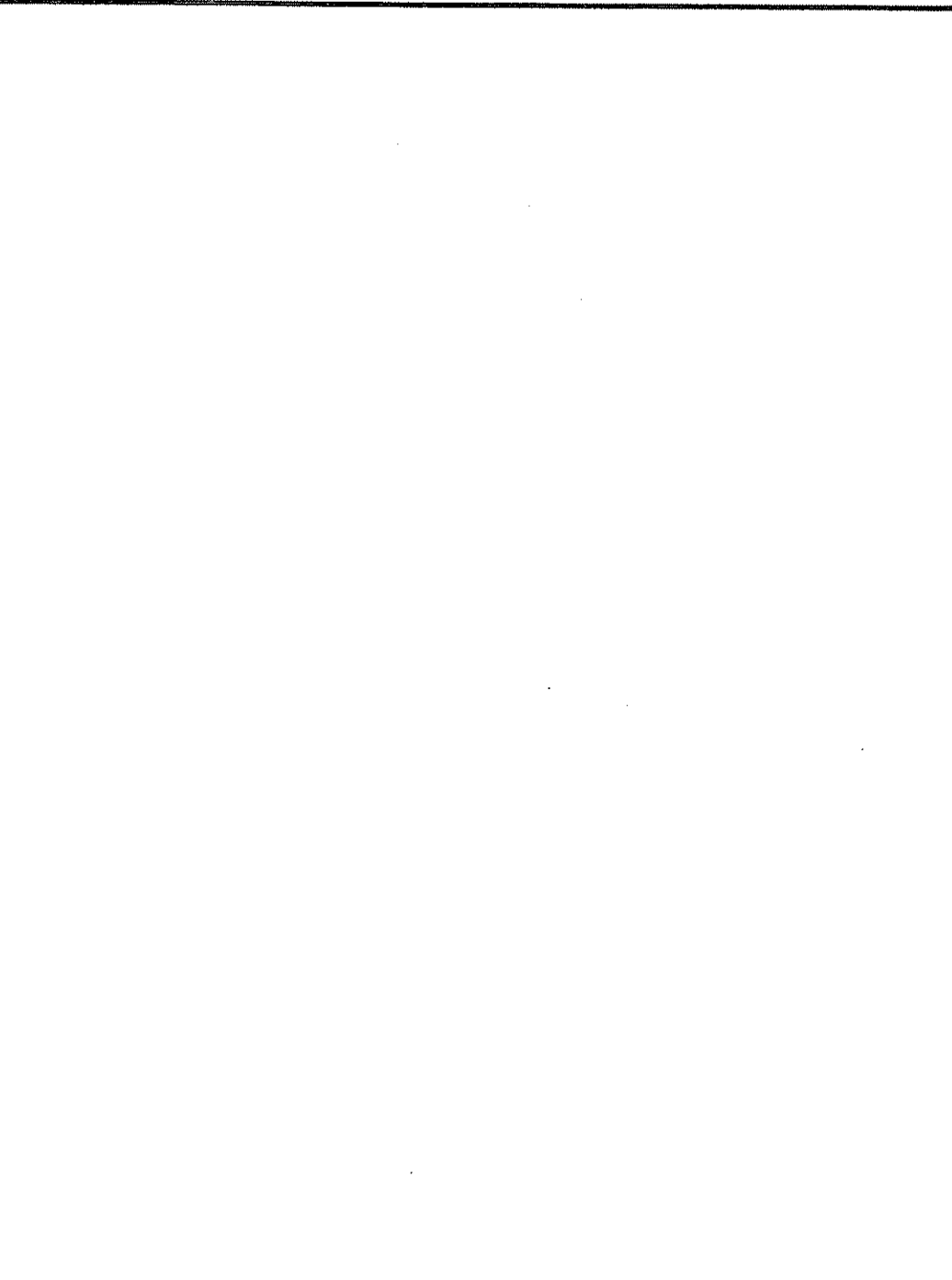
J1 CHILLED WATER PIPING DETAIL
NOT TO SCALE

J5 LOUVER CONNECTION
NOT TO SCALE

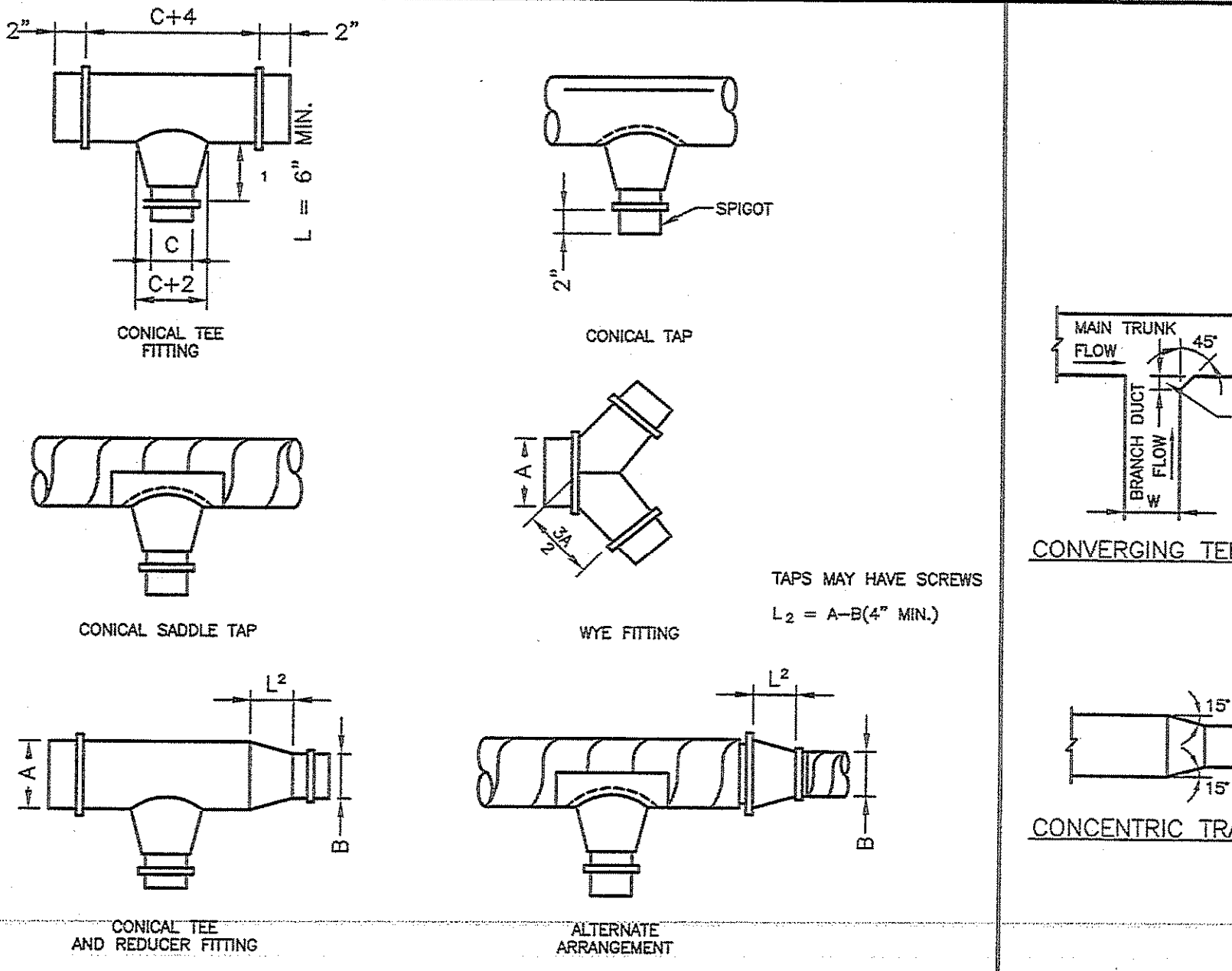
J8 METAL DUCT WALL PENETRATION
NOT TO SCALE



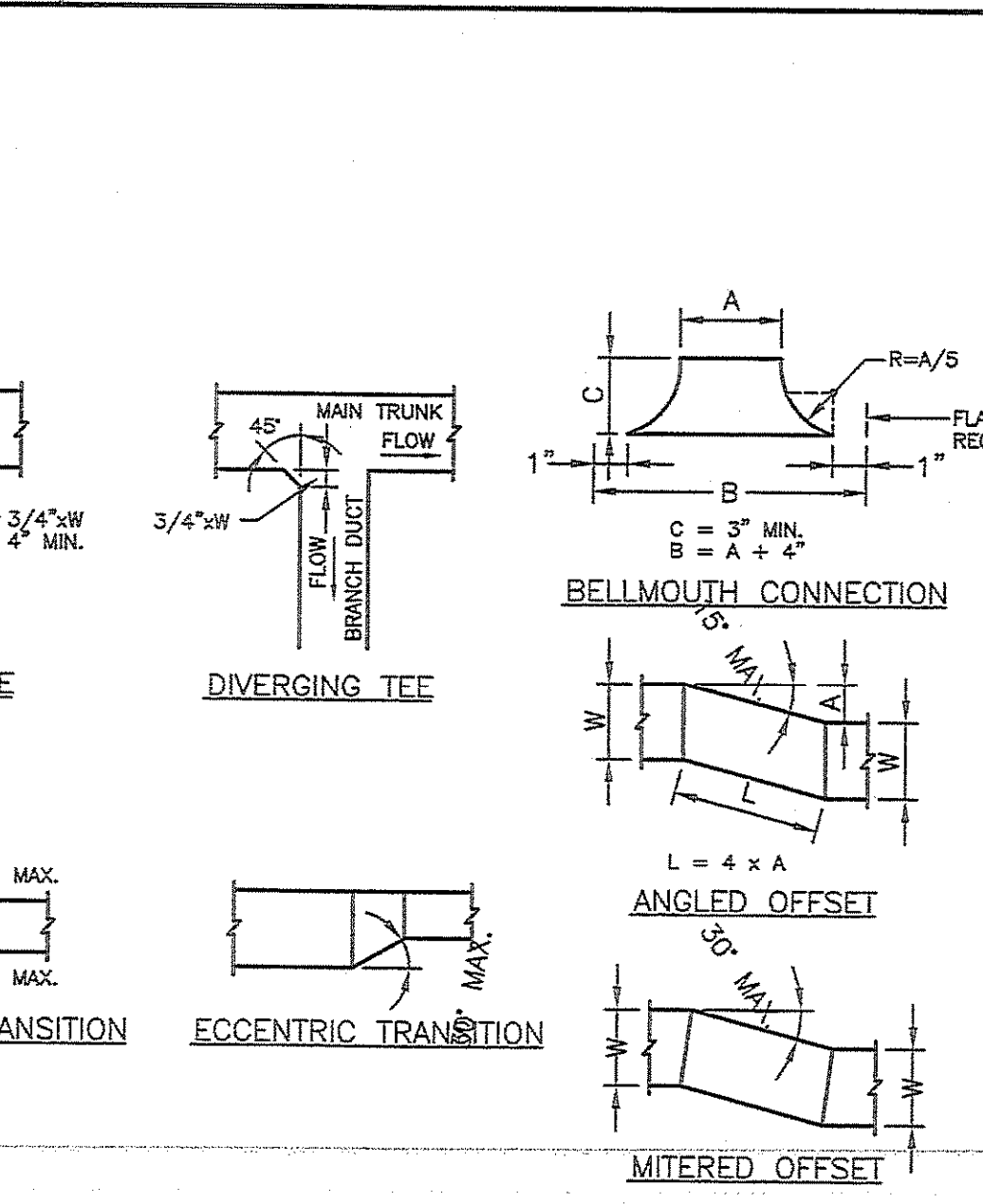
E1 LOW PRESSURE DUCT ELBOWS - TYPICAL
NOT TO SCALE



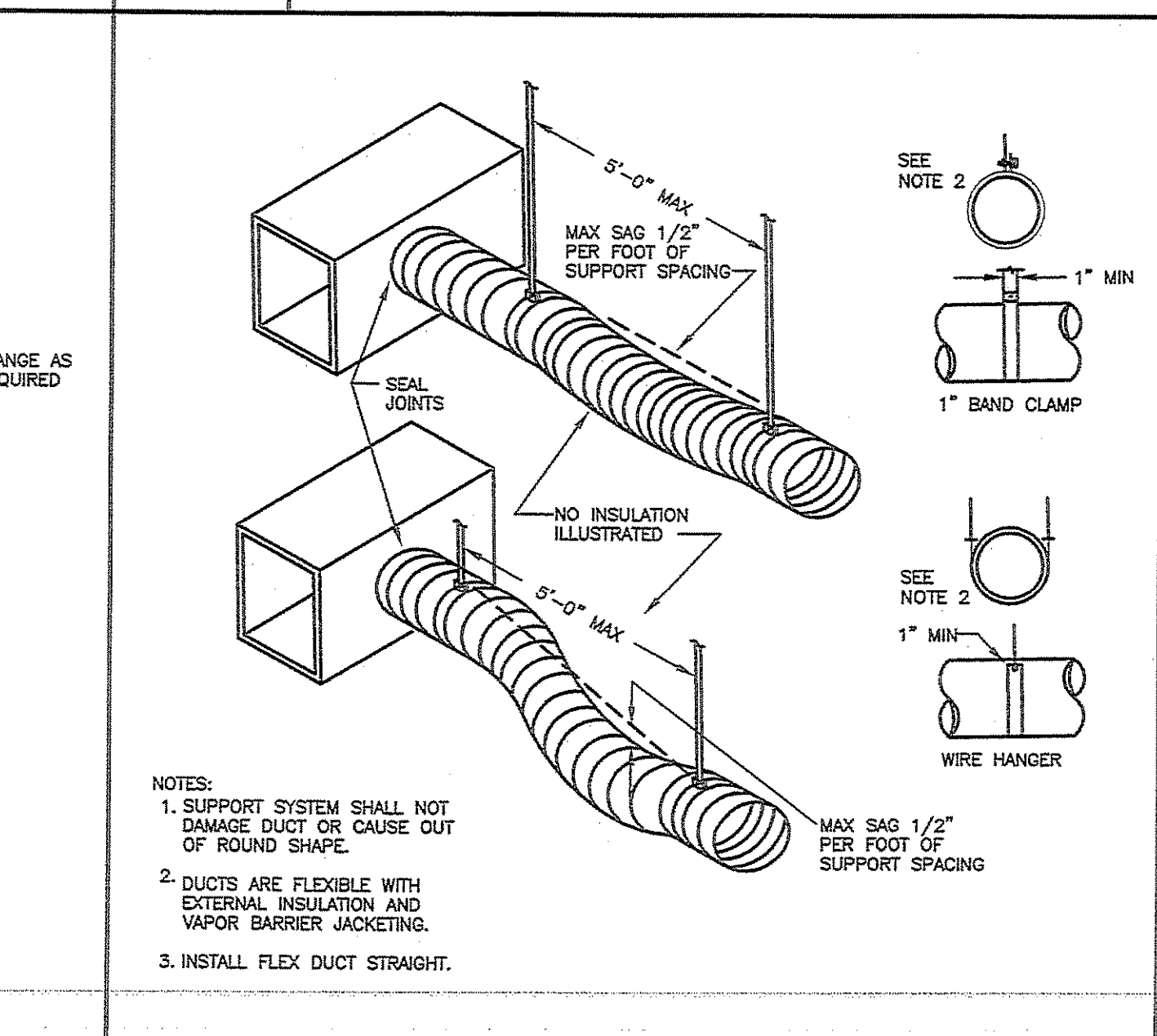
E12 CONDENSATE DRAIN TRAP
NOT TO SCALE



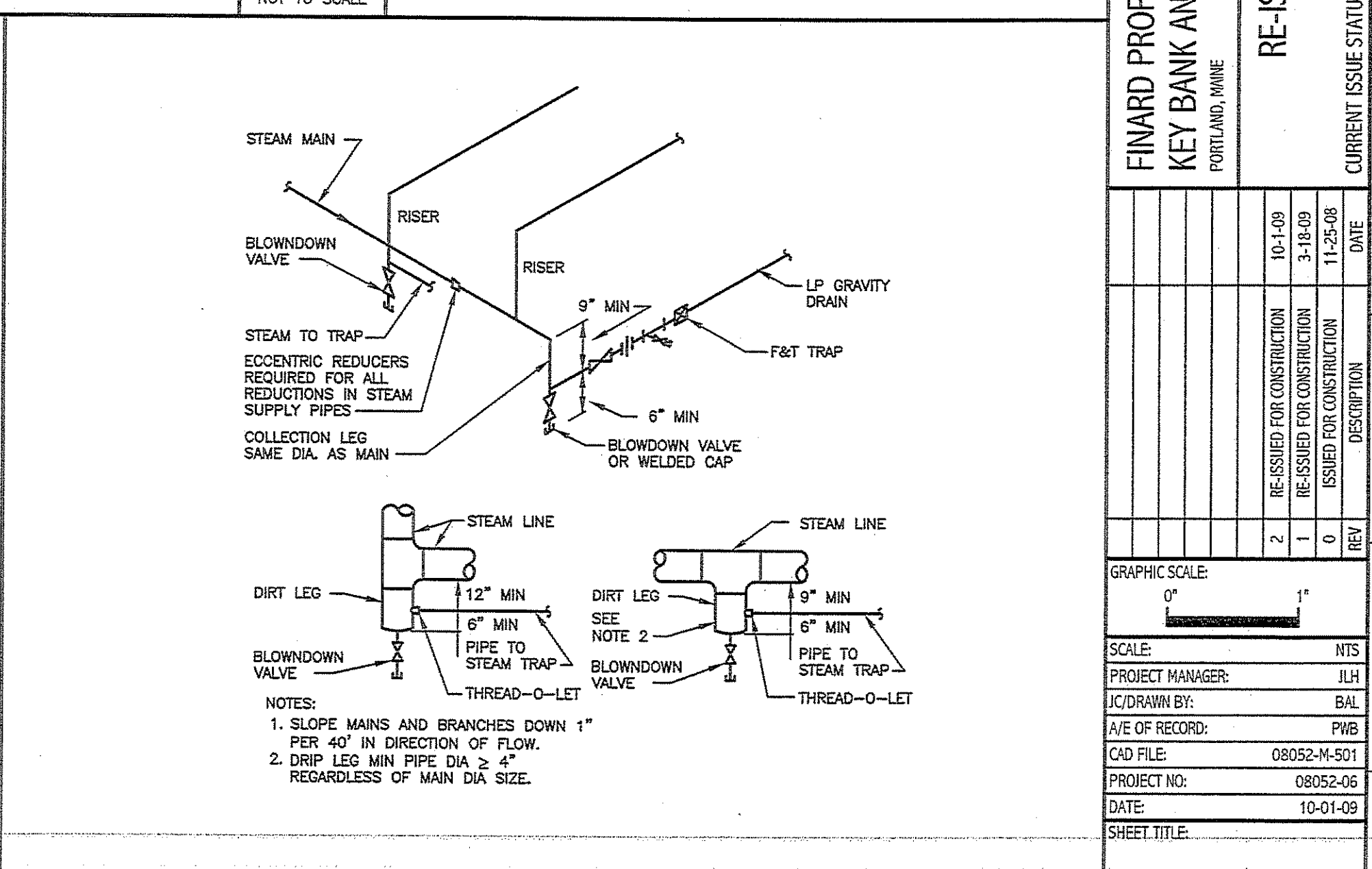
A1 CONICAL TEES
NOT TO SCALE



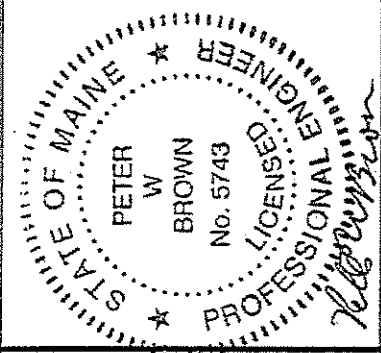
A4 DUCT TRANSITIONS
NOT TO SCALE



A8 STRAIGHT SECTION FLEXIBLE DUCT SUPPORT REQUIREMENTS
NOT TO SCALE



A11 TYPICAL STEAM LINE AND DRIP ARRANGEMENT
NOT TO SCALE



FINARD PROPERTIES INC. - 1 MONUMENT SQUARE
KEY BANK AND LOBBY RENOVATION
RE-ISSUED FOR CONSTRUCTION
10-1-09
CURRENT ISSUE STATUS:

REV	DESCRIPTION	DATE
2	RE-ISSUED FOR CONSTRUCTION	10-1-09
1	RE-ISSUED FOR CONSTRUCTION	3-18-09
0	ISSUED FOR CONSTRUCTION	11-25-08

GRAPHIC SCALE: 0" = 1"
SCALE: NTS
PROJECT MANAGER: ILH
JOB DRAWN BY: BAL
DATE OF RECORD: PWB
CAD FILE: 08052-M-501
PROJECT NO: 08052-06
DATE: 10-01-09
SHEET TITLE: DETAILS
SHEET No. M-501