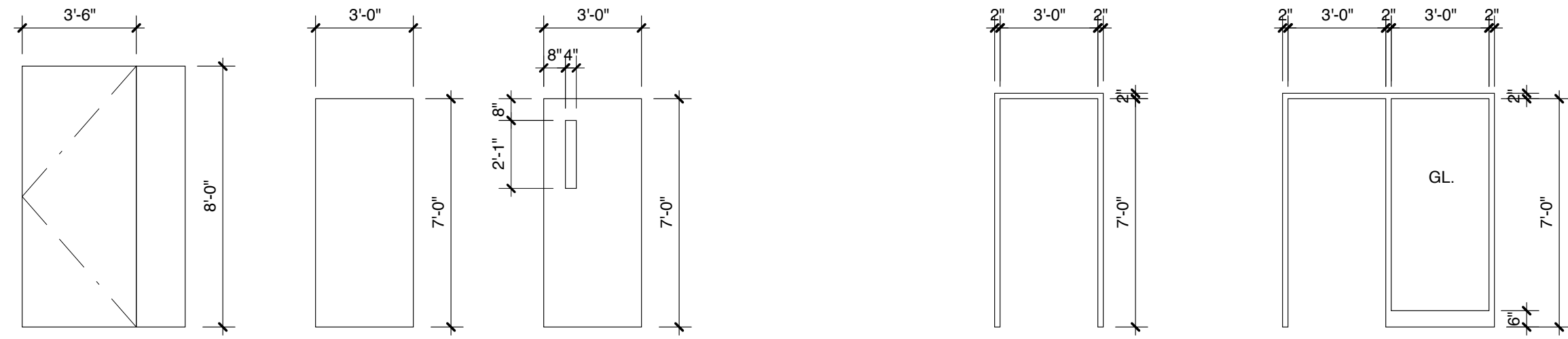


DOOR SCHEDULE												
NO.	DOOR TYPE	MAT.	FIN.	WIDTH	HEIGHT	THICK.	FRAME TYPE	MAT.	FIN.	HWDR.	FIRE RATING	NOTES
501	1	GL	FF	3'-6"	8'-0"	--	--	--	--	HW-1		1
502	4	--	--	3'-0"	--	--	--	--	--	HW-2		2
503	4	--	--	3'-0"	--	--	--	--	--	HW-2		2
504	2	WD-SC	NAT	3'-0"	7'-0"	1 3/4"	A	HM	PT	HW-3		2
505	4	--	--	3'-0"	--	--	--	--	--	HW-2		2
506	4	--	--	3'-0"	--	--	--	--	--	HW-2		2
507	4	--	--	3'-0"	--	--	--	--	--	HW-2		2
508	4	--	--	3'-0"	--	--	--	--	--	HW-2		2
509	2	WD-SC	NAT	3'-0"	7'-0"	1 3/4"	A	HM	PT	HW-3		2
510	3	WD-SC	NAT	3'-0"	7'-0"	1 3/4"	A	HM	PT	HW-4		2
511	4	--	--	3'-0"	--	--	--	--	--	HW-2		2
512	4	--	--	3'-0"	--	--	--	--	--	HW-2		2
513	2	WD-SC	NAT	3'-0"	7'-0"	1 3/4"	A	HM	PT	HW-5		2
514	2	WD-SC	NAT	3'-0"	7'-0"	1 3/4"	A	HM	PT	HW-4		2
515	4	--	--	3'-0"	--	--	--	--	--	HW-2		2
516	4	--	--	3'-0"	--	--	--	--	--	HW-2		2
517	NOT USED	--	--	--	--	--	--	--	--	--		
518	2	WD-SC	NAT	3'-0"	7'-0"	1 3/4"	B	HM	PT	HW-3		3
519	2	WD-SC	NAT	3'-0"	7'-0"	1 3/4"	B	HM	PT	HW-3		3

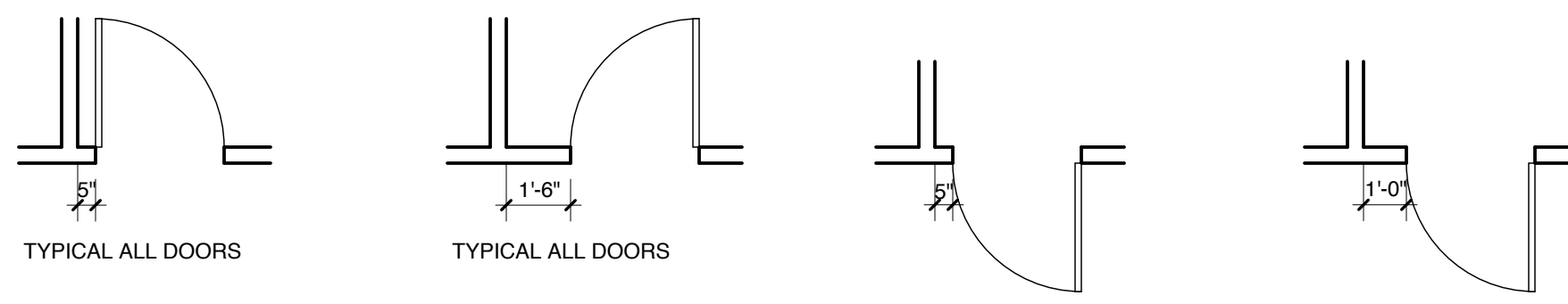
MATERIAL/FINISH ABBREVIATIONS
 FF FACTORY FINISH
 GL GLASS
 HM HOLLOW METAL
 NAT NATURAL CLEAR FINISH
 PT PAINT
 SC SOLID CORE
 WD WOOD

NOTES
 1. BUILDING STANDARD FRAMELESS GLASS DOOR WITH SIDELIGHT.
 2. DOOR PROVIDED BY TENANT IN PARTITION SYSTEM.
 3. WELDED HM FRAME.

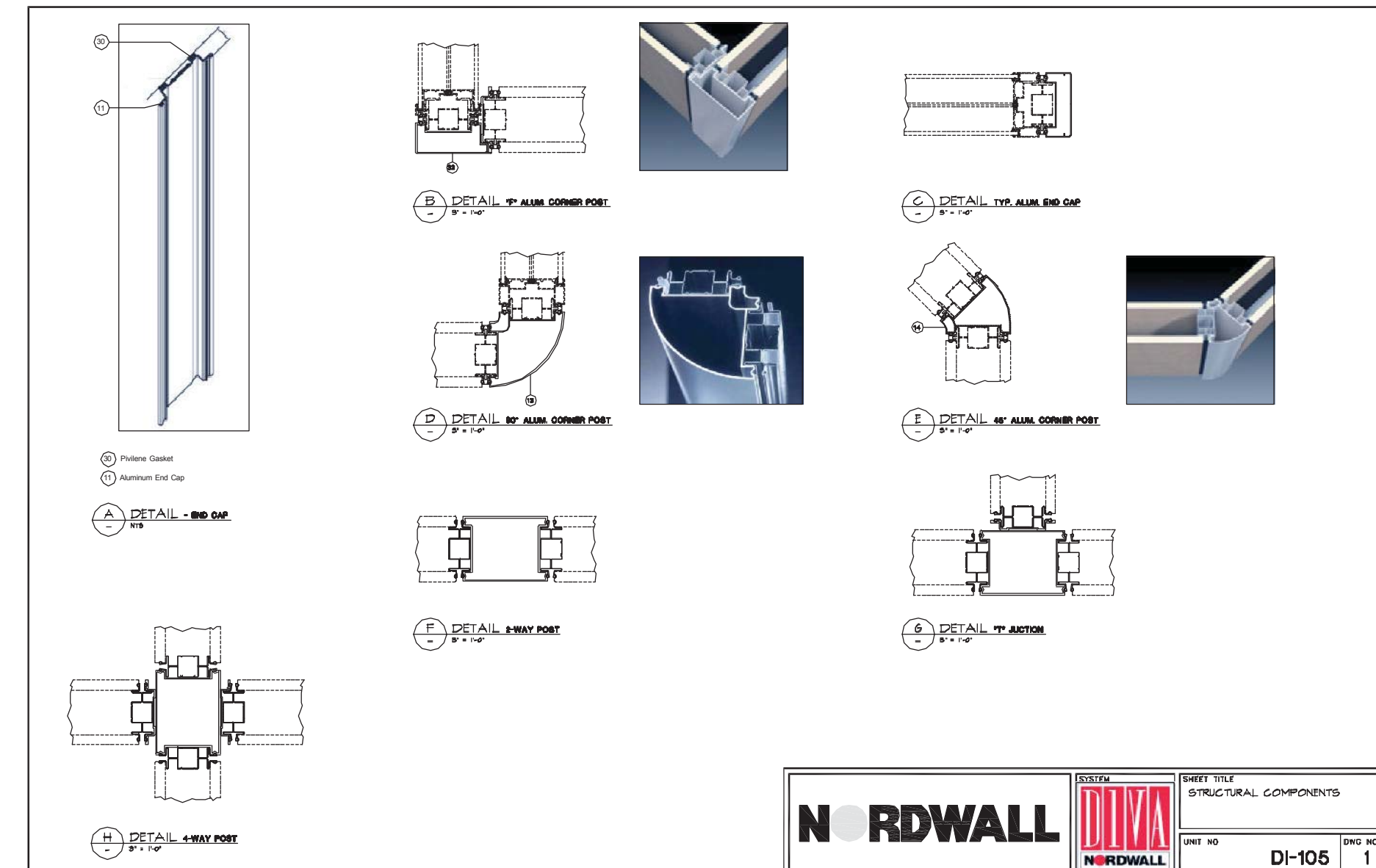
HARDWARE
 HW-1 BUILDING STANDARD HARDWARE INCLUDING HINGES, PUSH-PULL, CLOSER, MAGNETIC LOCK, CARD READER, AND PROXIMITY SENSOR.
 HW-2 HARDWARE BY TENANT
 HW-3 HINGES
 HW-4 PASSAGE SET
 HW-5 STOP
 HINGES
 LOCKSET
 CLOSER
 STOP
 HINGES
 PRIVACY SET
 STOP



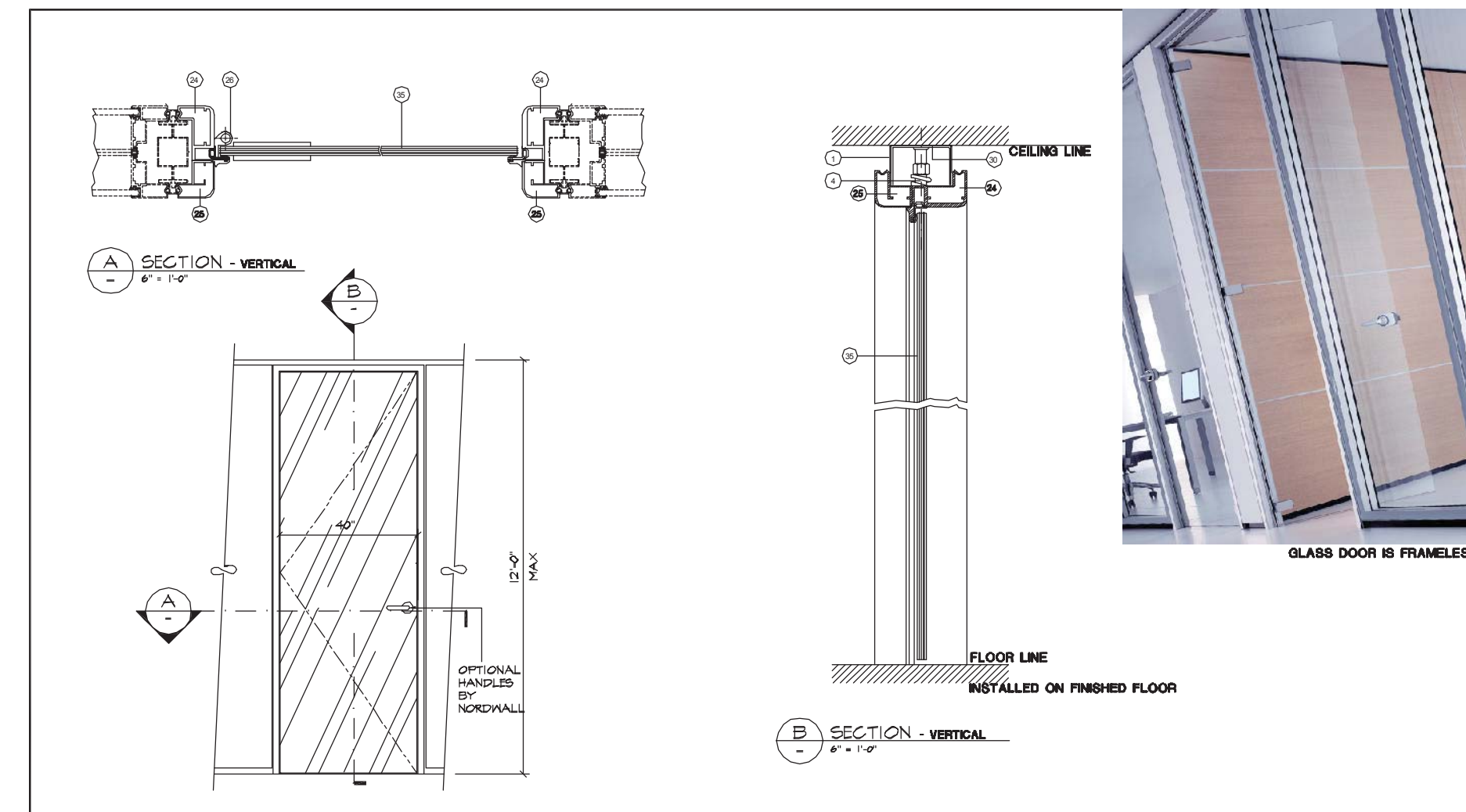
DOOR TYPE 1 SCALE: 1/4" = 1'-0"
 BUILDING STANDARD FRAMELESS GLASS DOOR & SIDELIGHT (VERIFY DIMENSIONS)
DOOR TYPE 2 SCALE: 1/4" = 1'-0"
DOOR TYPE 3 SCALE: 1/4" = 1'-0"
DOOR TYPE 4 NOT SHOWN. SEE TENANT PARTITION SKETCHES.
FRAME TYPE A SCALE: 1/4" = 1'-0"
FRAME TYPE B SCALE: 1/4" = 1'-0"



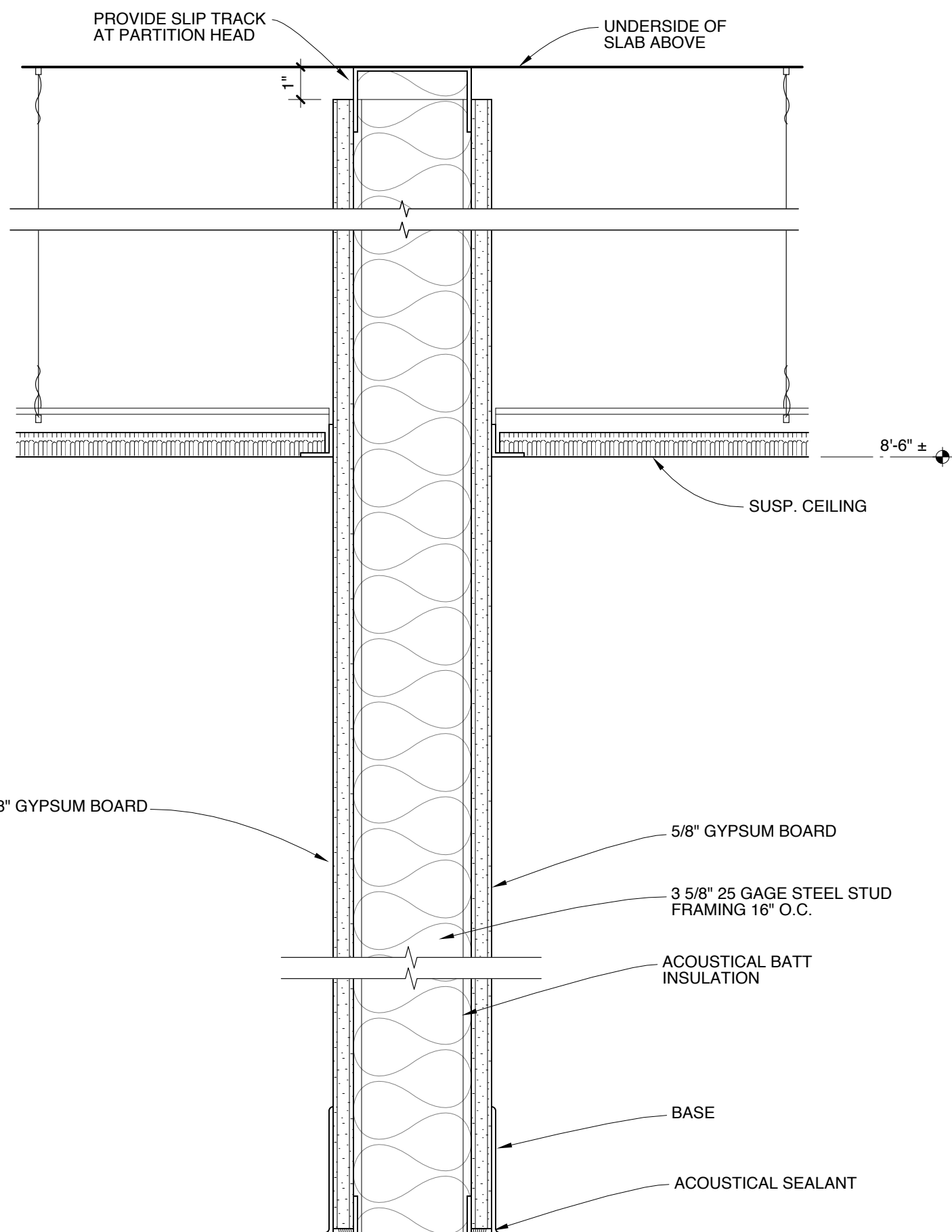
5 TYPICAL DOOR JAMB CLEARANCES SCALE: 1/4" = 1'-0"
 TYPICAL ALL DOORS
 TYPICAL ALL DOORS
 TYPICAL AT DOORS WITHOUT A CLOSER OR WITHOUT A LATCH
 AT DOORS WITH A CLOSER AND A LATCH



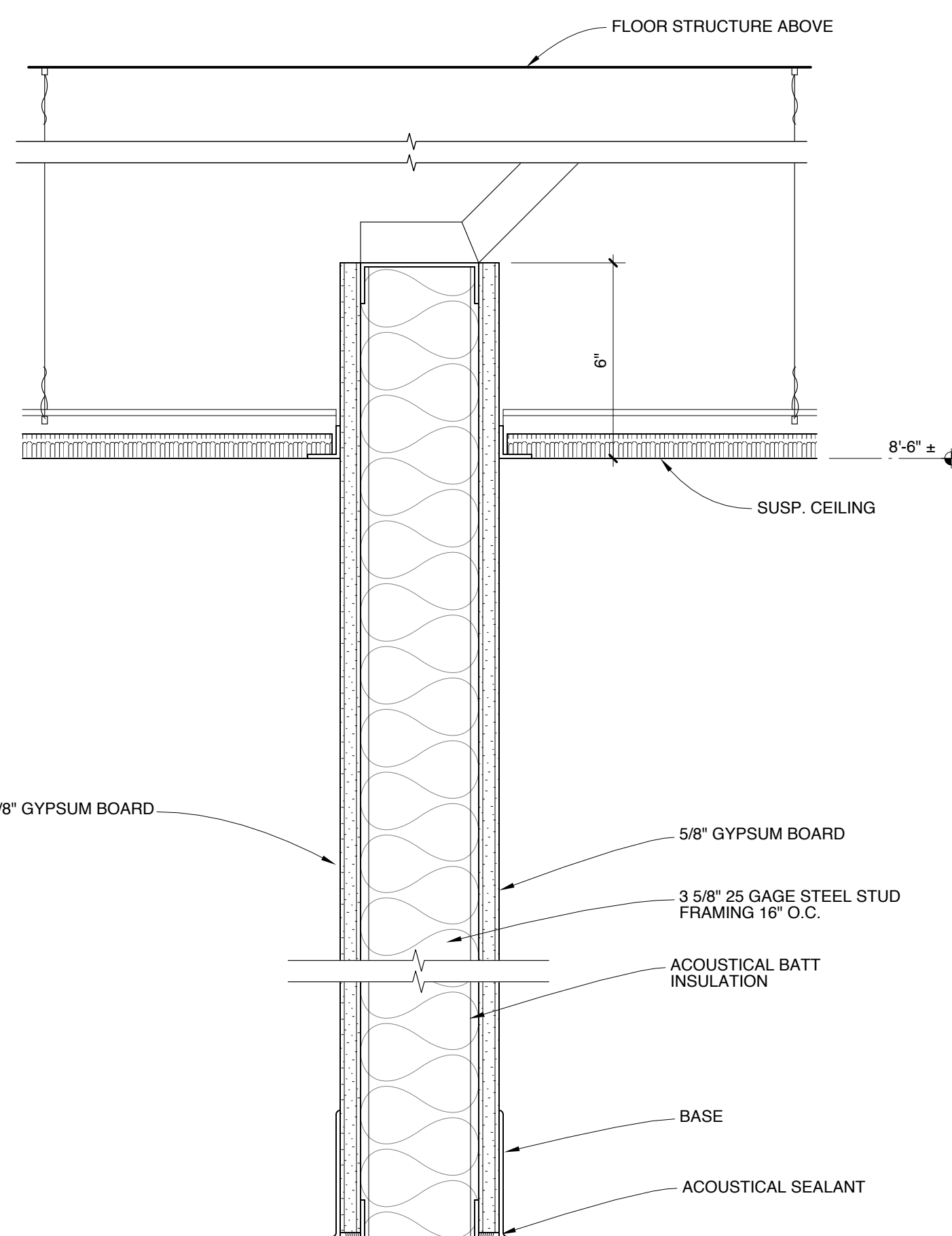
NORDWALL PART NO. DI-105 1



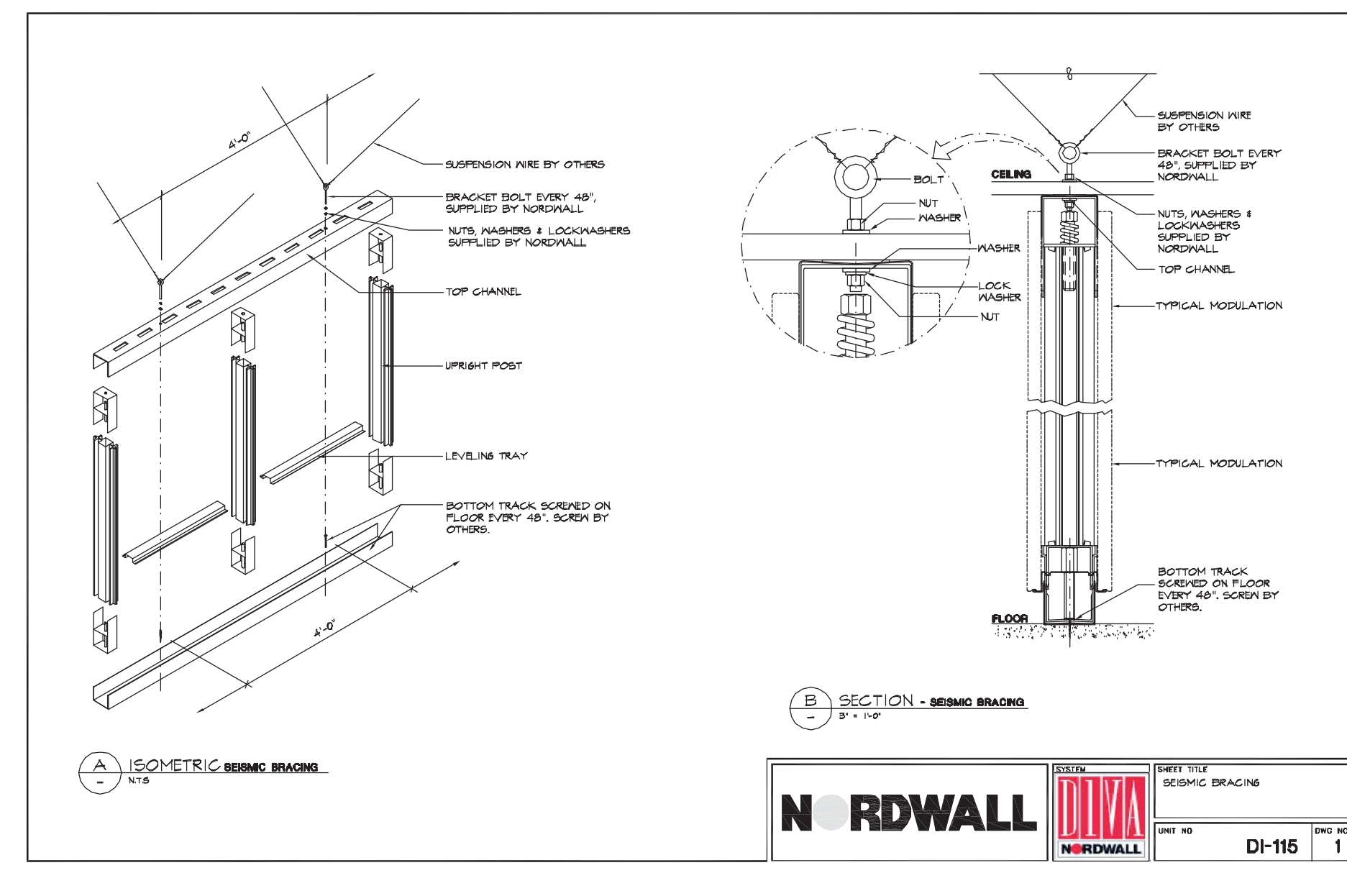
NORDWALL PART NO. DI-175 1



1 PARTITION TYPE P1 SCALE: 3" = 1'-0"
 5/8" GYPSUM BOARD
 5/8" GYPSUM BOARD
 3 5/8" 25 GAGE STEEL STUD FRAMING 16" O.C.
 ACOUSTICAL BATT INSULATION
 BASE
 ACOUSTICAL SEALANT



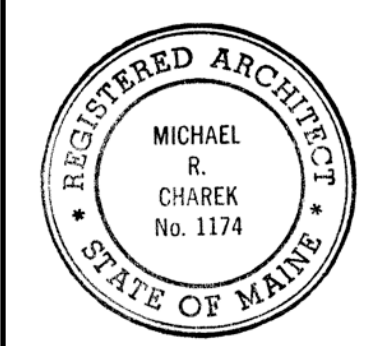
2 PARTITION TYPE P2 SCALE: 3" = 1'-0"
 5/8" GYPSUM BOARD
 5/8" GYPSUM BOARD
 3 5/8" 25 GAGE STEEL STUD FRAMING 16" O.C.
 ACOUSTICAL BATT INSULATION
 BASE
 ACOUSTICAL SEALANT



3 PARTITION TYPE P3 SCALE: 3" = 1'-0"
 SUSPENSION WIRE BY OTHERS
 BRACKET BOLT EVERY 48" SUPPLIED BY NORDWALL
 NUT WASHERS & LOCKWASHERS SUPPLIED BY NORDWALL
 TOP CHANNEL
 UPRIGHT POST
 LEVELING TRAY
 BOTTOM TRACK SCREWED ON FLOOR EVERY 48" SCREW BY OTHERS
 CEILING
 BOLT
 NUT
 WASHER
 LOCK WASHER
 SUSPENSION WIRE BY OTHERS
 BRACKET BOLT EVERY 48" SUPPLIED BY NORDWALL
 NUT WASHERS & LOCKWASHERS SUPPLIED BY NORDWALL
 TOP CHANNEL
 TYPICAL MODULATION
 TYPICAL MODULATION
 BOTTOM TRACK SCREWED ON FLOOR EVERY 48" SCREW BY OTHERS
 FLOOR

NORDWALL PART NO. DI-115 1

Michael Charek Architects
 25 Hartley Street
 Portland, Maine 04103
 (207) 761-0556



Offices for UNUM
 Fifth Floor
 One Monument Square
 Portland, Maine

Title
 DOOR SCHEDULE AND PARTITION DETAILS

Scale: 1/8" = 1'-0"

Date: 8/30/13

Revisions

Sheet

A4