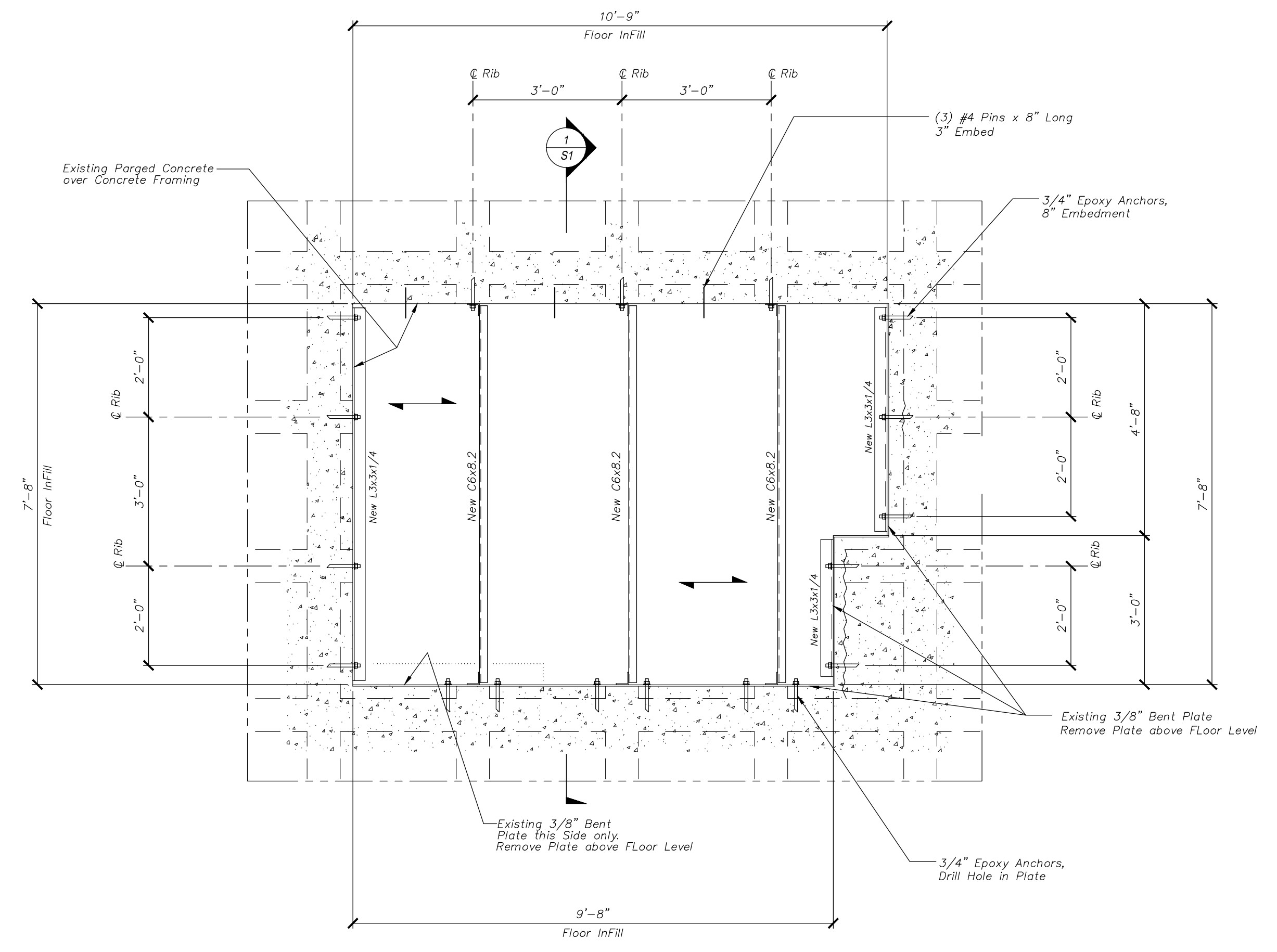
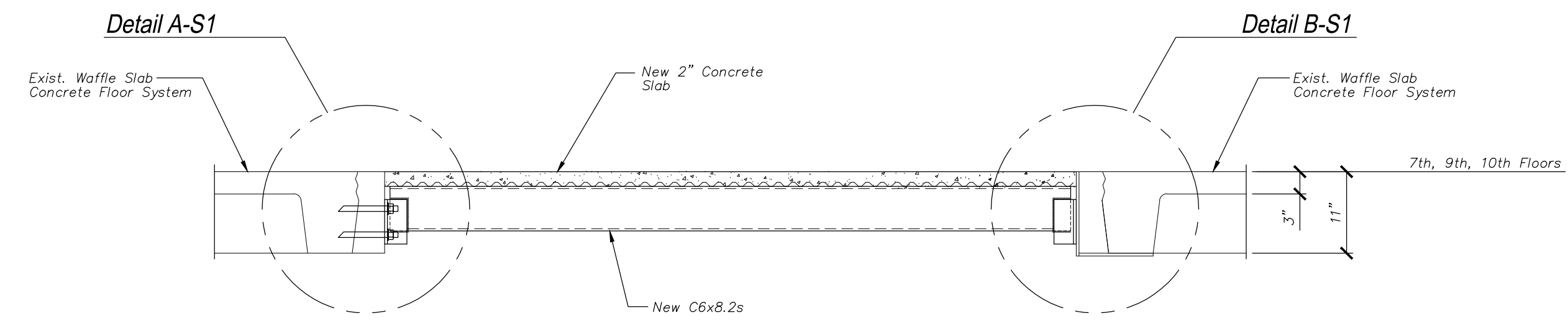


* NOTE:
At 10th Floor, Sawcut Around 3-Sides of Opening to Remove Jagged Edge of Slab and Rib Ends, Providing a Smooth Surface to Abut New Slab and to Connect C6s.

10th & 7th FLOOR - PART FRAMING PLAN - FLOOR IN-FILL
Scale: 1/2" = 1'-0"

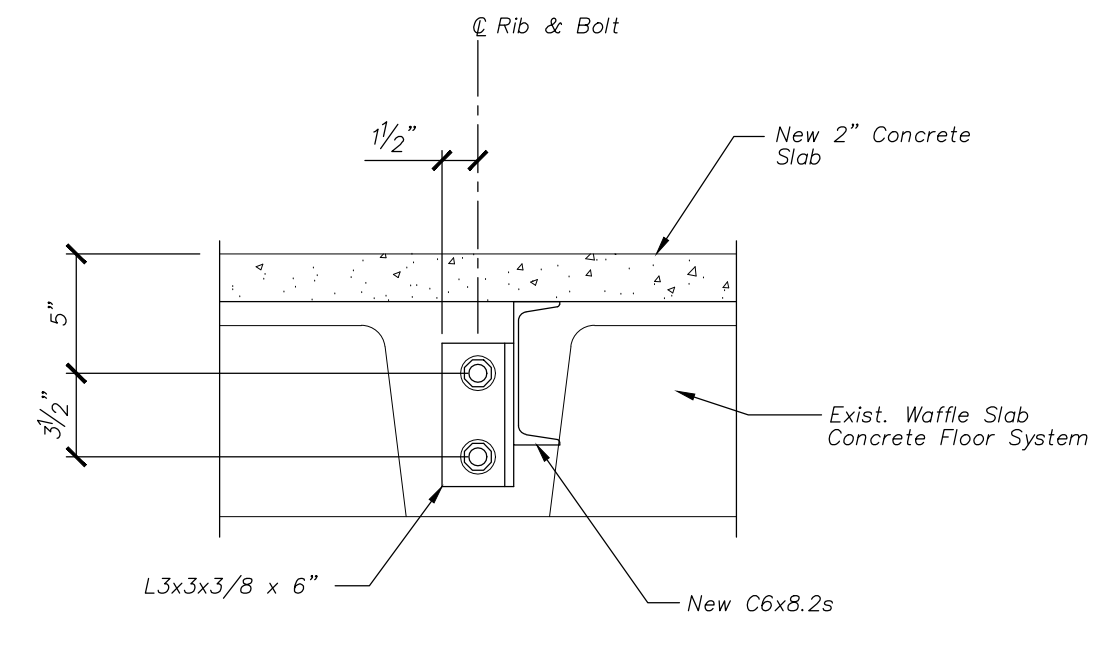


9th FLOOR - PART FRAMING PLAN - FLOOR IN-FILL
Scale: 1/2" = 1'-0"

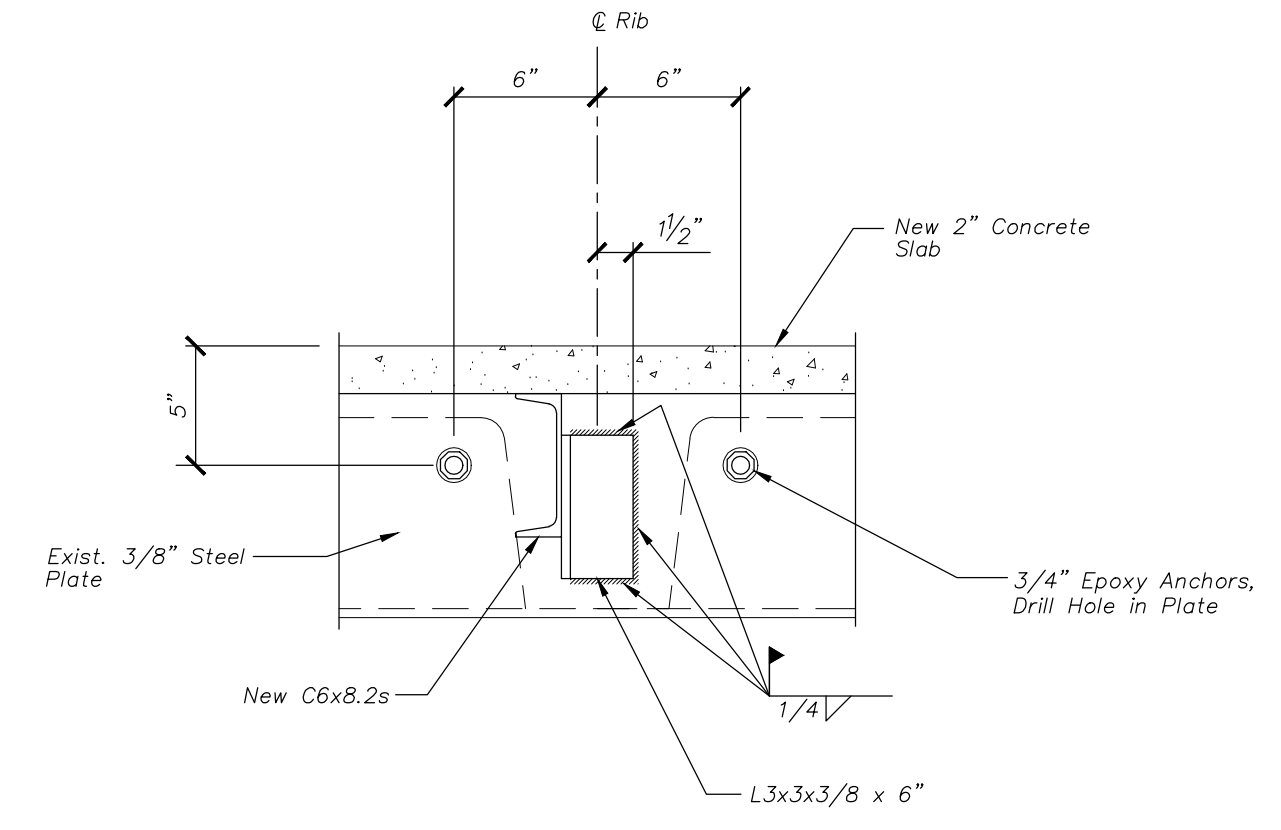


SECTION
Scale: 3/4" = 1'-0"

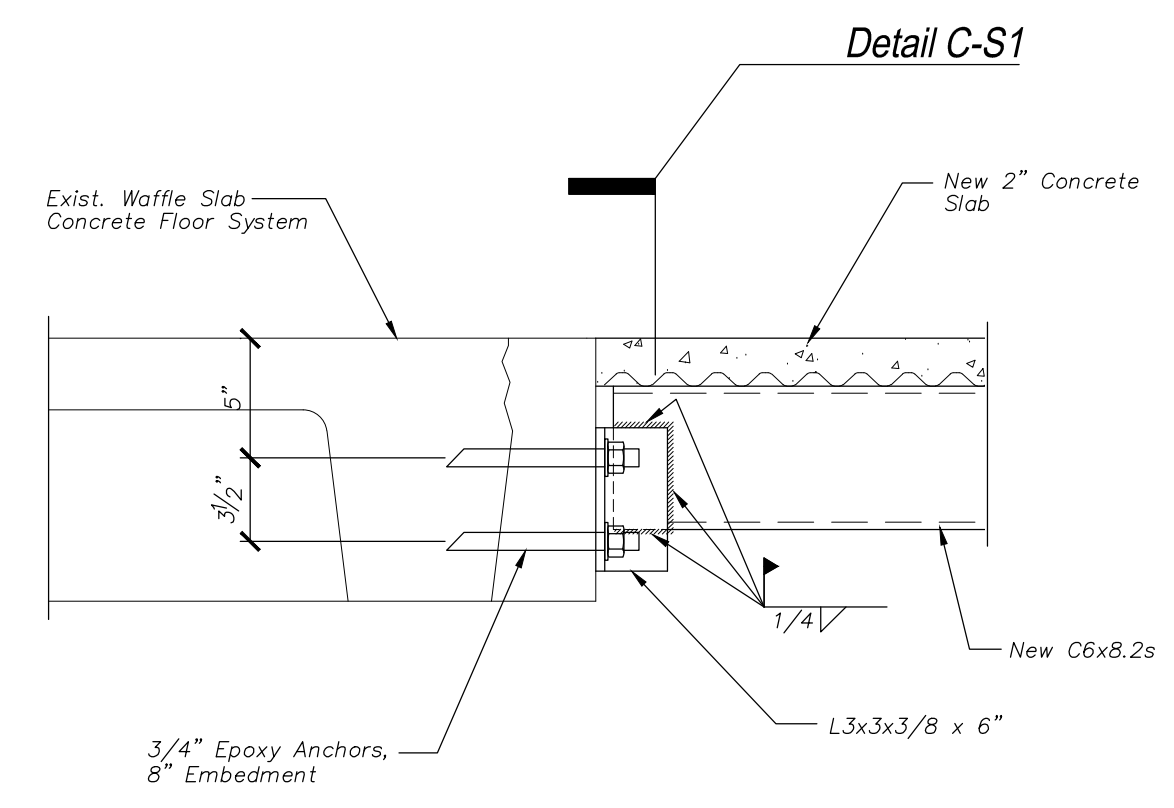
(verify Fire-Rating/Protection Requirements with Architect)



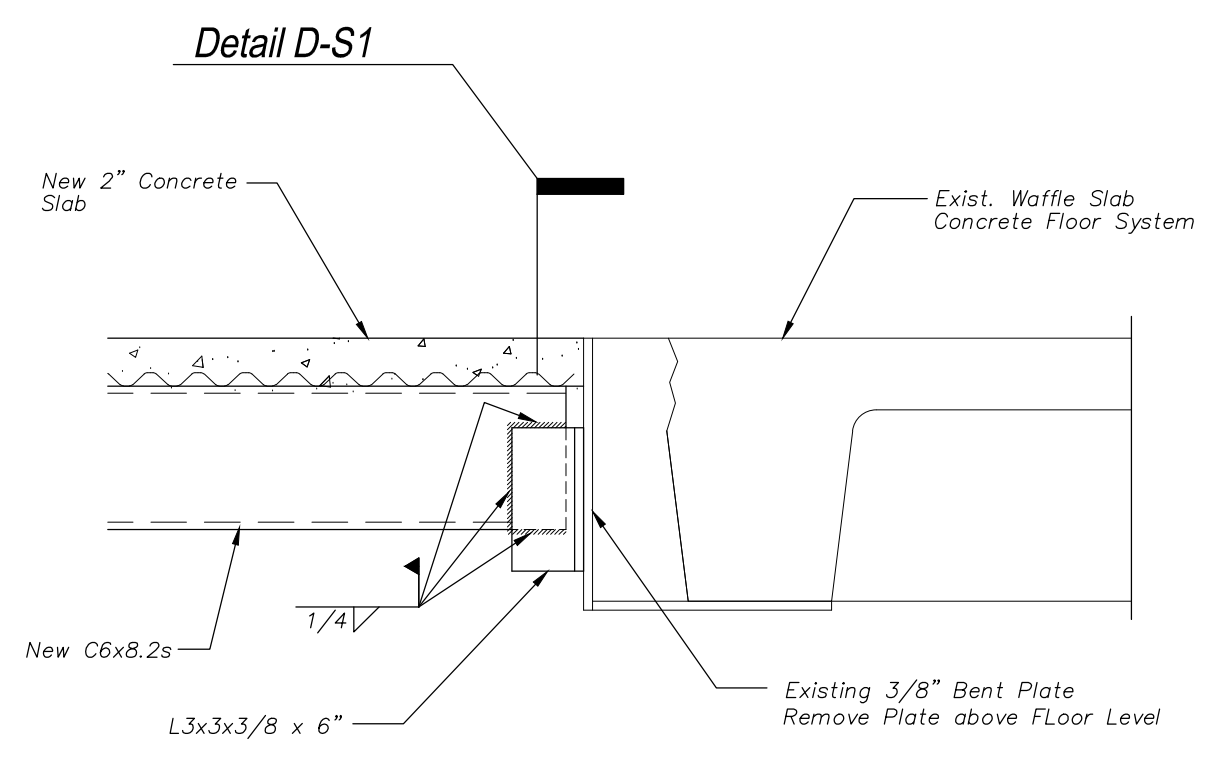
DETAIL
Scale: 1 1/2" = 1'-0"



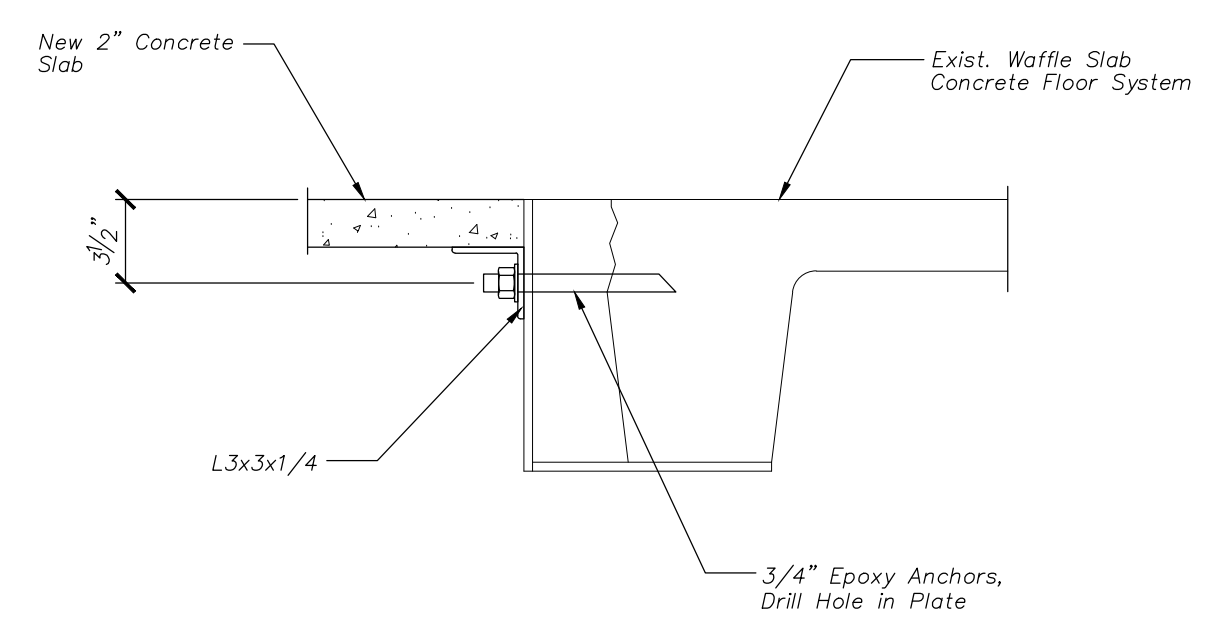
DETAIL
Scale: 1 1/2" = 1'-0"



DETAIL
Scale: 1 1/2" = 1'-0"



DETAIL
Scale: 1 1/2" = 1'-0"



DETAIL
Scale: 1 1/2" = 1'-0"

GENERAL NOTES:

- STRUCTURAL DRAWINGS SHALL BE USED IN CONJUNCTION WITH JOB SPECIFICATIONS AND ARCHITECTURAL DRAWINGS.
- ALL DIMENSIONS AND CONDITIONS MUST BE VERIFIED IN THE FIELD. NOTIFY ENGINEER OF ANY DISCREPANCIES PRIOR TO PROCEEDING WITH THE WORK.

STRUCTURAL STEEL NOTES - GENERAL:

- STEEL CHANNEL AND ANGLES TO BE ASTM A36 MATERIAL. STEEL PLATES TO BE ASTM A36 UNLESS NOTED OTHERWISE.
- WELDING SHALL BE IN ACCORDANCE WITH AWS D1.1 - LATEST EDITION. ALL WELDS SHALL BE MADE WITH E70XX ELECTRODES.
- STRUCTURAL STEEL SHALL BE PAINTED WITH A SHOP APPLIED COAT OF THE FABRICATOR'S RUST INHIBITIVE PRIMER.

STRUCTURAL DESIGN CRITERIA:

- BUILDING CODE: 2009 EDITION OF THE INTERNATIONAL BUILDING CODE.
- FLOOR IN-FILL DESIGN LIVE LOAD = 80 PSF.

Shelley Engineering, Inc.
Structural Consultants
P.O. Box 1030
Gray, Maine 04039
Phone (207) 657-8031
www.ShelleyEngineering.com

SEI

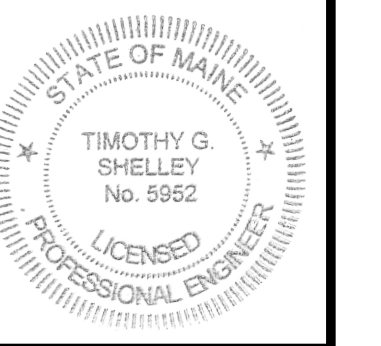
| | |
|------------|---------|
| For Permit | 3/25/15 |
| Review | 3/12/15 |
| Issue | Date |

1 Monument Square
Stair - Floor Infill

ME

Portland

| | |
|--------------|--------|
| Date | 2/9/15 |
| Designed By: | TGS |



SHEET TITLE:

Stair Floor In-Fill
9th FLOOR

S1 of 1

SEI Job # 2015-015