

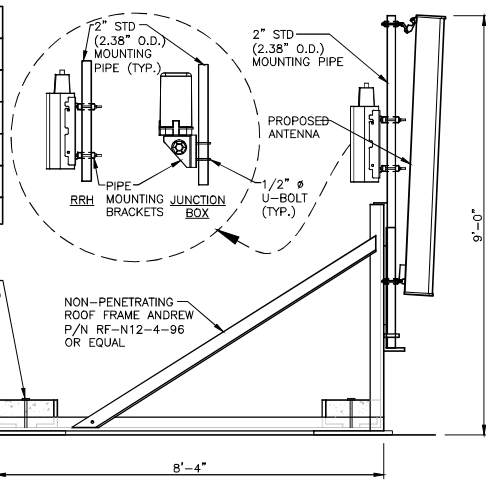
	BACK	FRONT
NUMBER OF BLOCKS PER SIDE	25	18
SIZE OF BLOCKS	8"x8"x16" (SOLID)	
WEIGHT OF BLOCKS	60 lbs. EACH	
TOTAL WEIGHT OF BLOCKS PER SIDE	1500 lbs.	1080 lbs.
TOTAL NUMBER OF BLOCKS	43	
TOTAL BALLAST WEIGHT	2580 lbs.	

PROPOSED (25) 4"x8"x16" SOLID CONCRETE BLOCKS (38 lbs. EACH) PER SIDE (2 SIDES TOTAL) (TOTAL OF 950 lbs. PER SIDE) (WITH TIE DOWN ASSEMBLY)

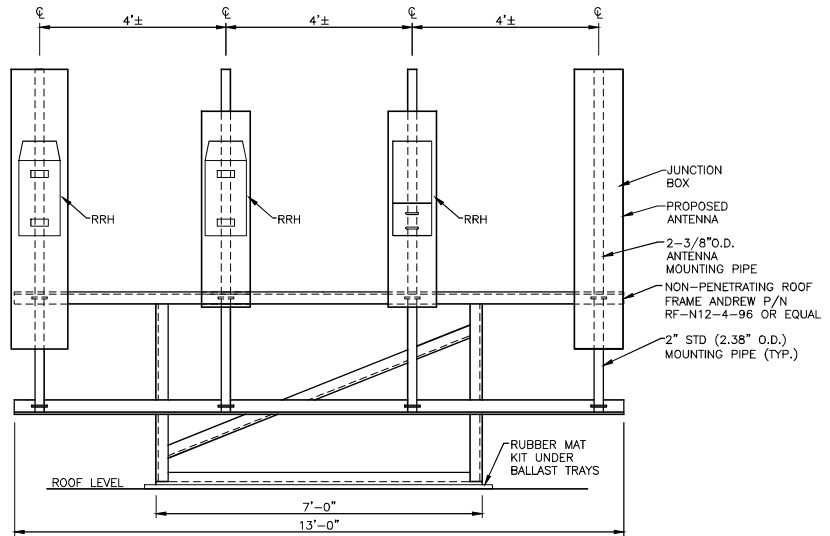
RUBBER MAT KIT UNDER BALLAST TRAYS

ROOF LEVEL

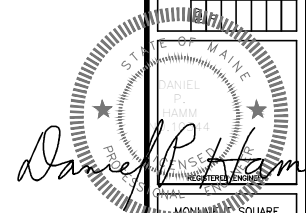
NON-PENETRATING ROOF FRAME ANDREW P/N RF-N12-4-96 OR EQUAL



**ANTENNA MOUNTING DETAILS**  
SCALE: N.T.S.



**NOTE:**  
AN ANALYSIS OF THE CAPACITY OF THE EXISTING STRUCTURE TO SUPPORT THE PROPOSED LOADING HAS BEEN COMPLETED BY HUDSON DESIGN GROUP, LLC. DATED MARCH 19, 2015.



**FOR CONSTRUCTION**

PREPARED FOR:

400 FIREBIRD PARKWAY  
ROSELAND, NJ 07068  
(908) 350-3300 TEL

PREPARED BY:

1000 COGWOOD STREET  
BURLINGTON, VT 05401  
TEL: (878) 525-5533  
FAX: (878) 525-5538

**STRUCTURAL PLAN**

DATE	DESCRIPTION	BY	CHK	APP'D
03/19/15	ISSUED FOR CONSTRUCTION	NS	JX	DPH

MONUMENT SQUARE  
MONUMENT SQUARE  
PORTLAND, ME 04101

**S-1**