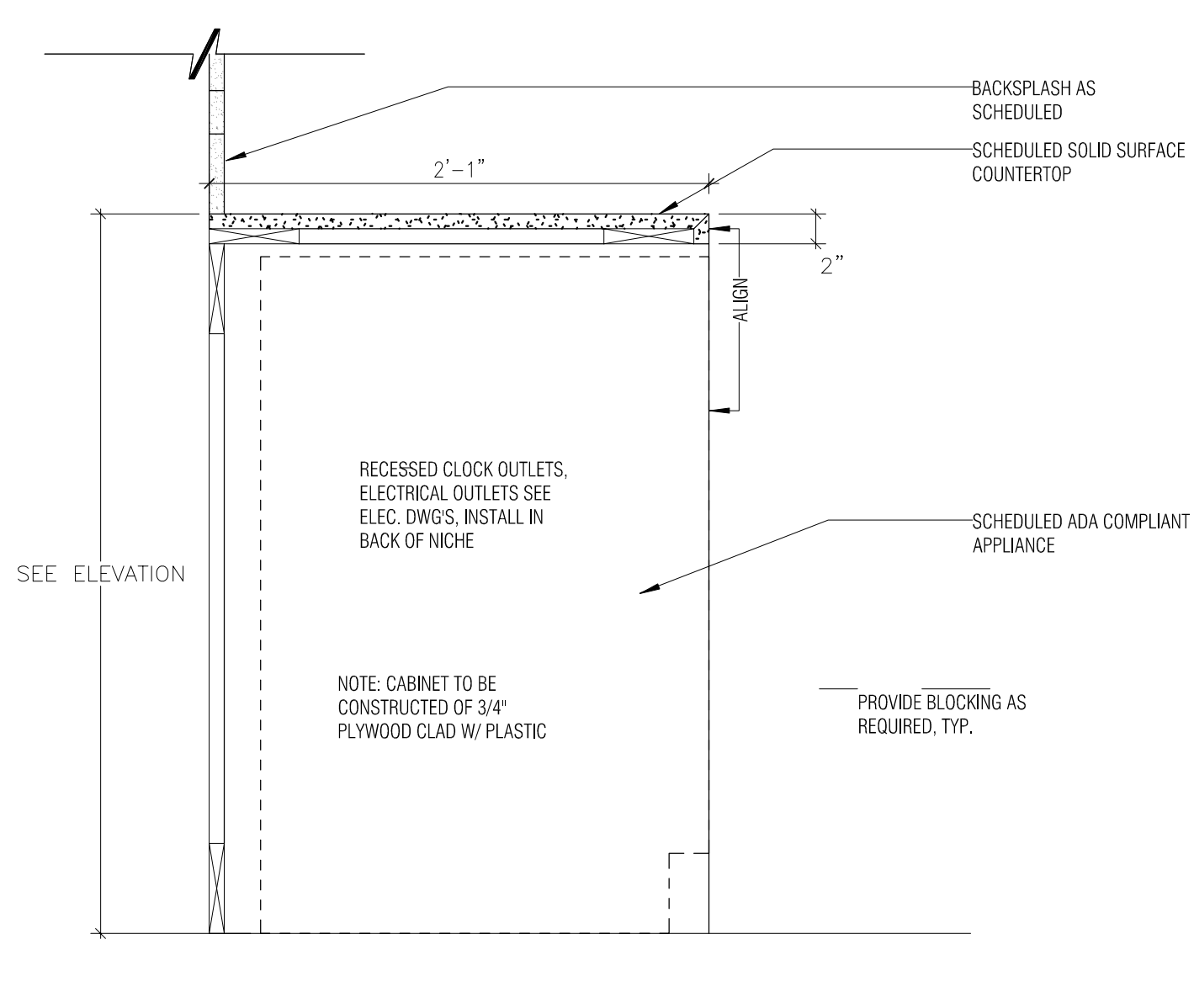
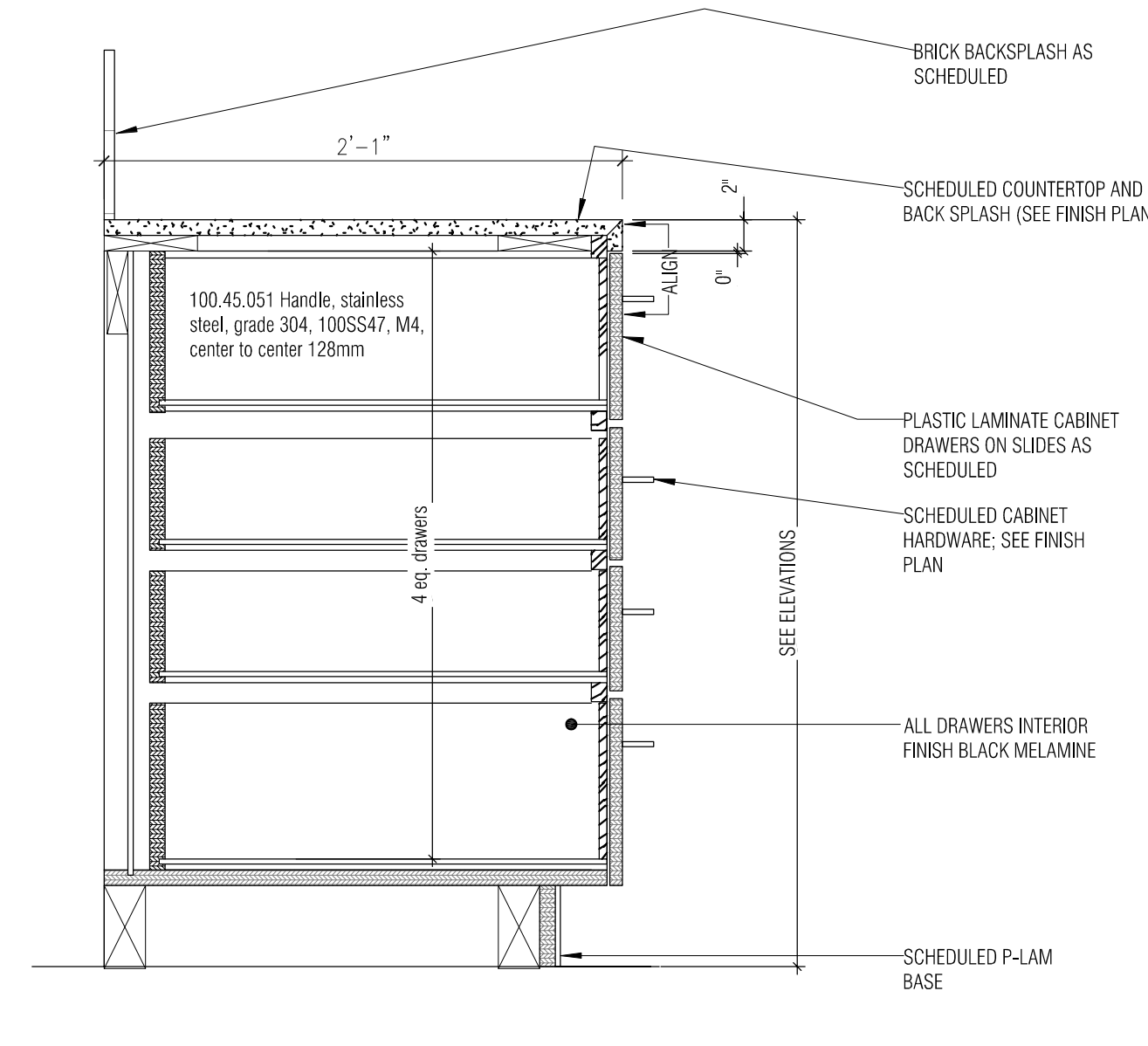


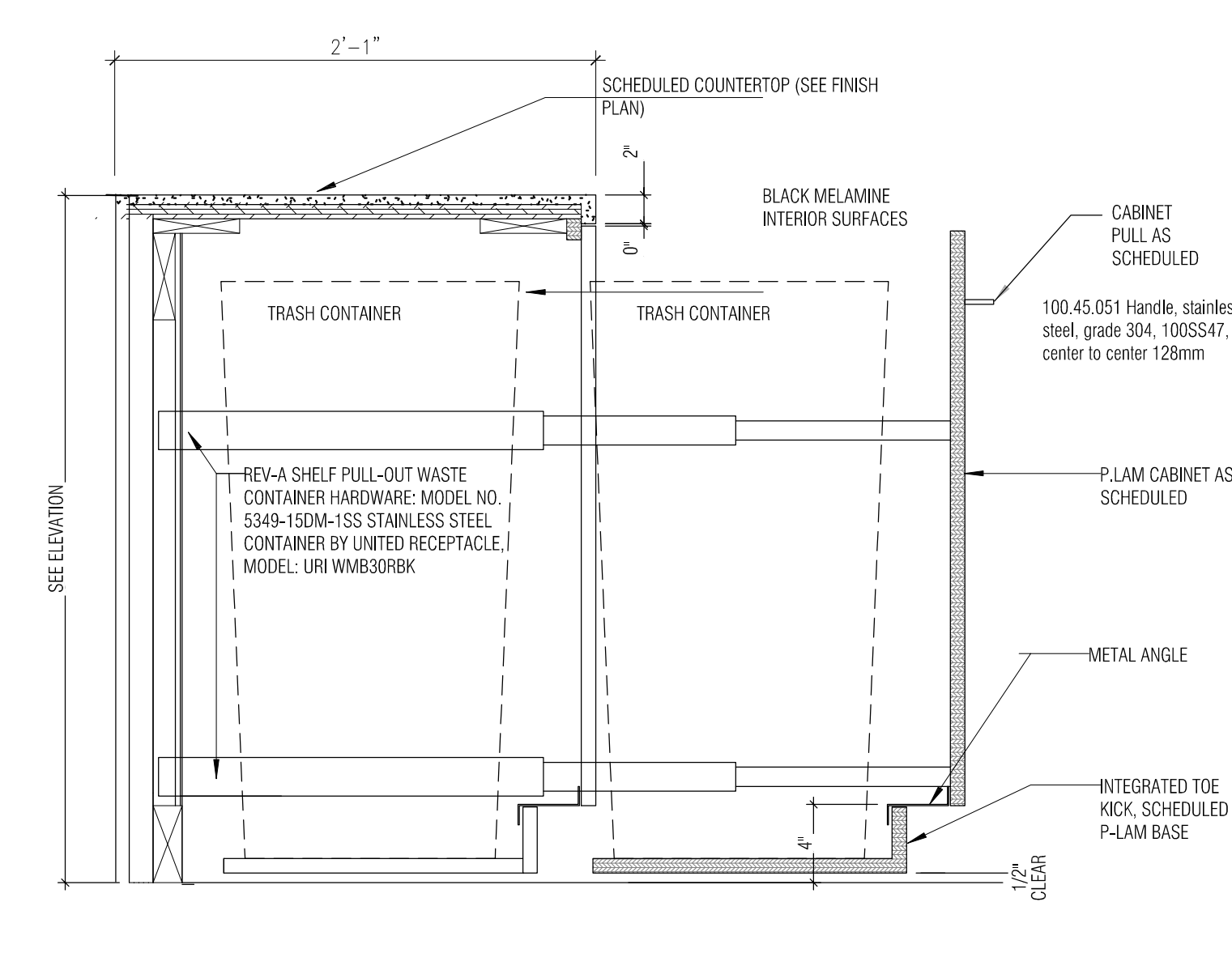
1 BASE CABINET WITH ACCESSIBLE SINK
1 1/2" = 1'-0"



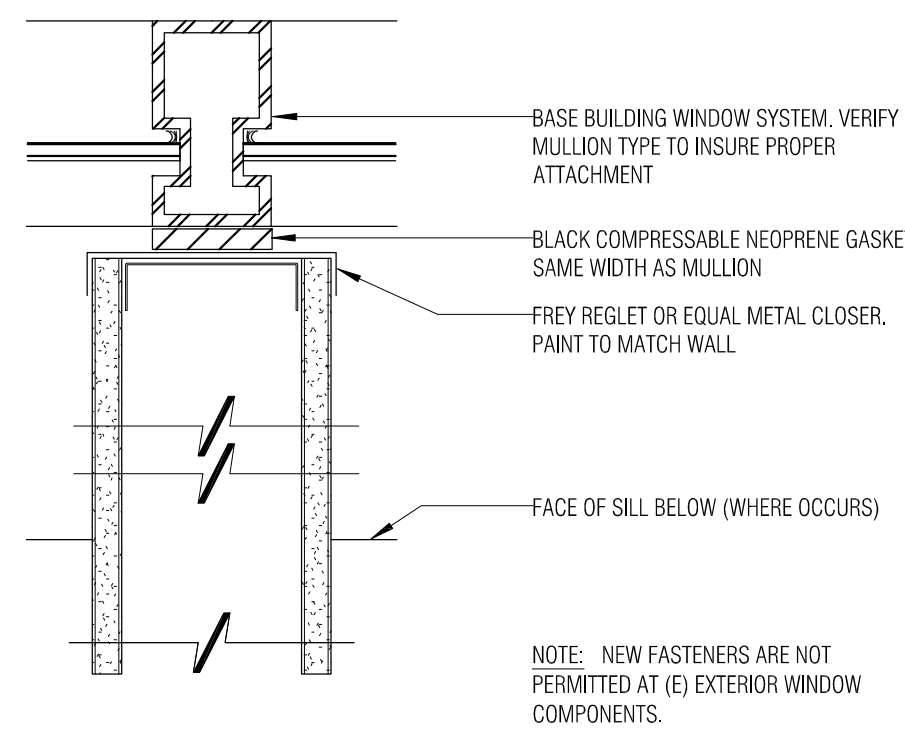
2 BASE CABINET WITH APPLIANCE
1 1/2" = 1'-0"



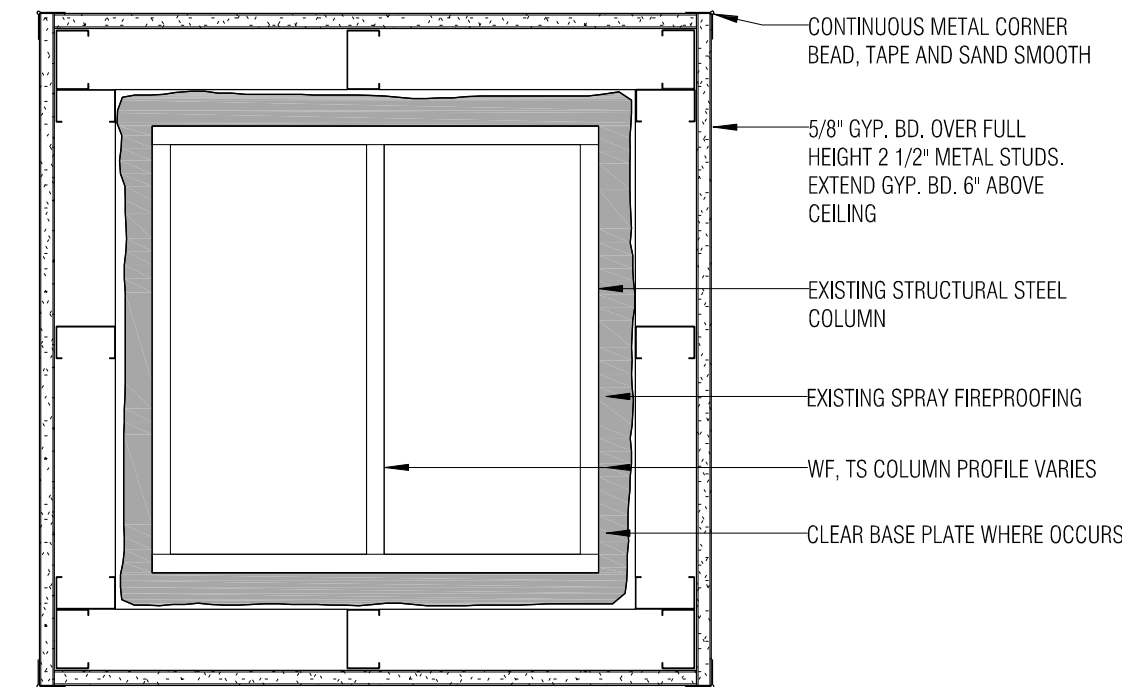
3 BASE CABINET WITH DRAWERS
1 1/2" = 1'-0"



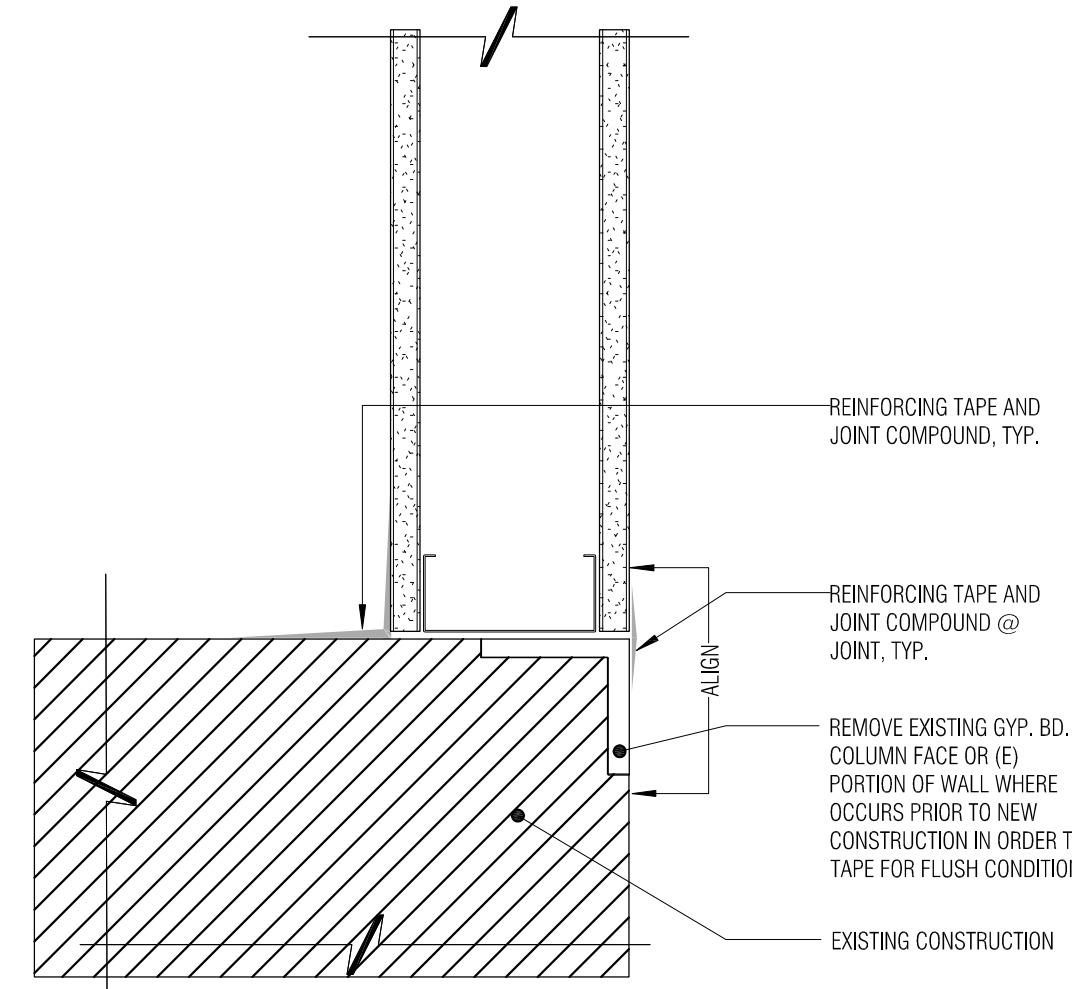
4 UPPER CABINET
1 1/2" = 1'-0"



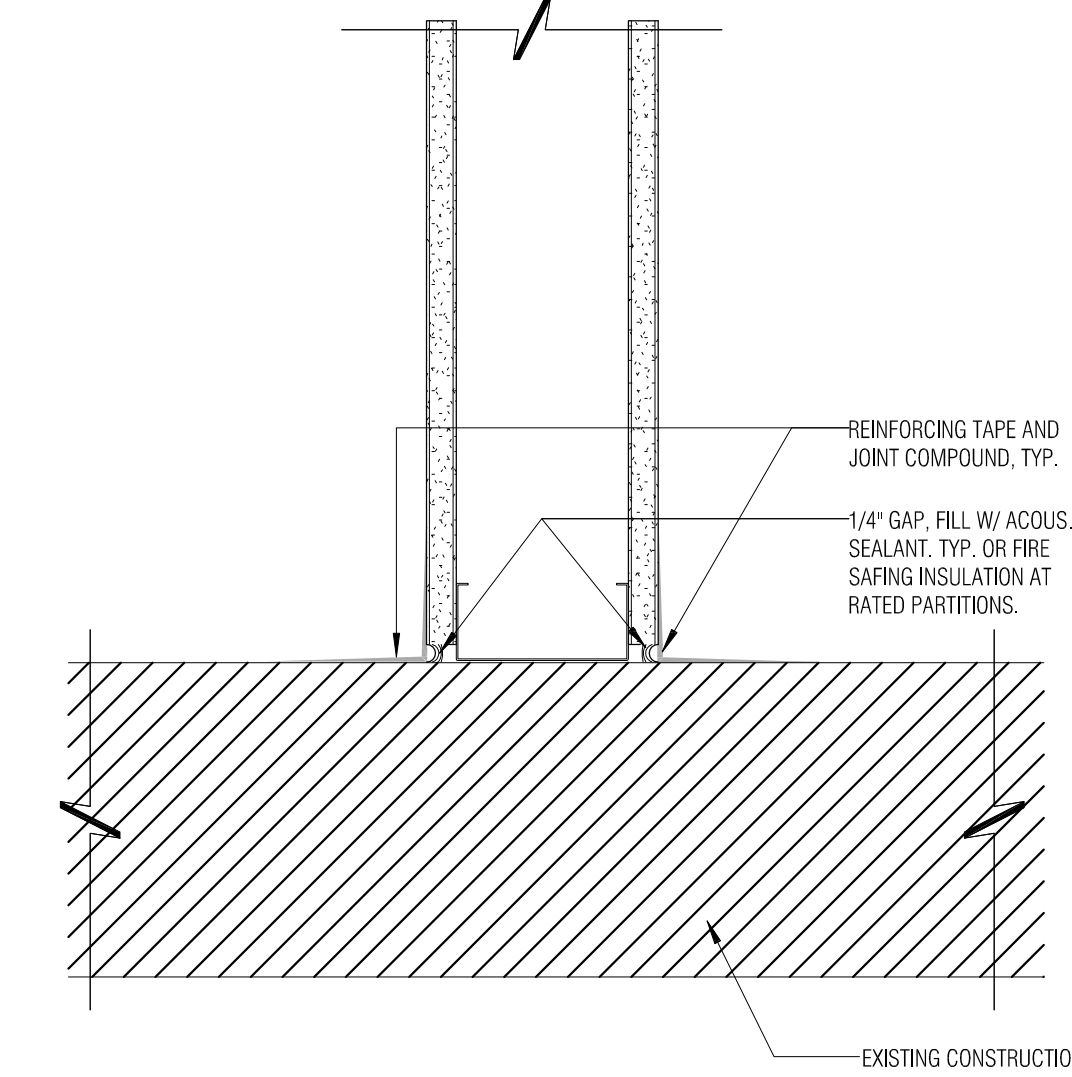
5 PARTITION TO EXTERIOR WINDOW MULLION
3" = 1'-0"



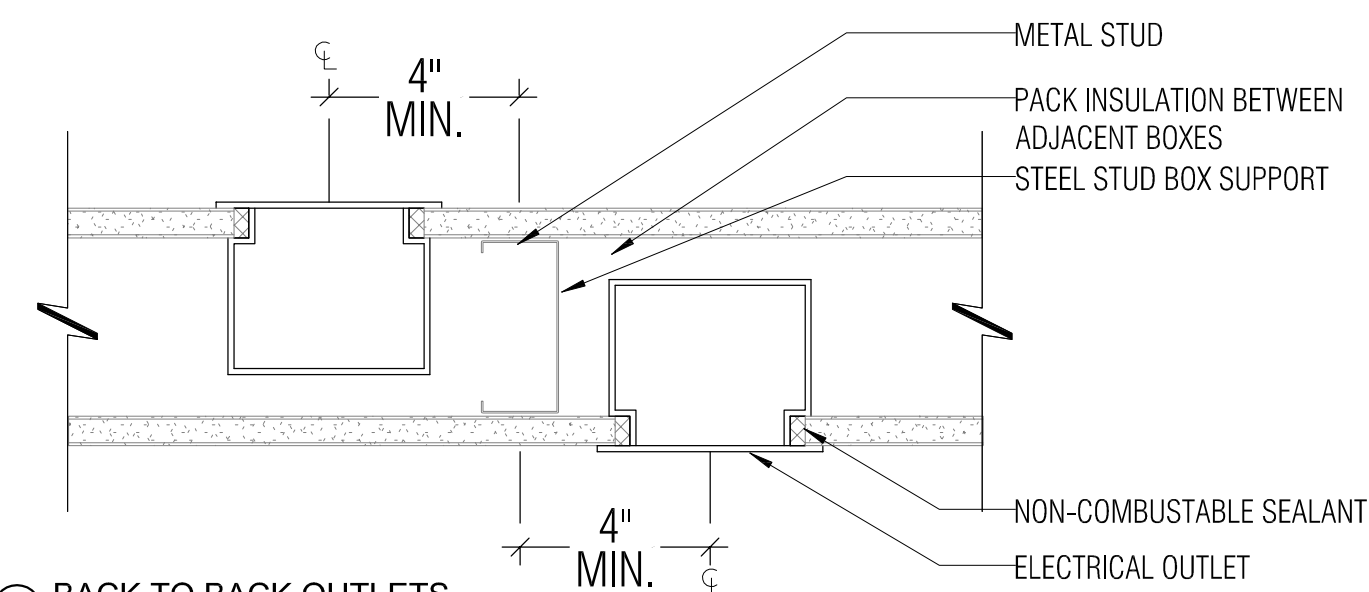
6 TYPICAL COLUMN FURRING
1 1/2" = 1'-0"



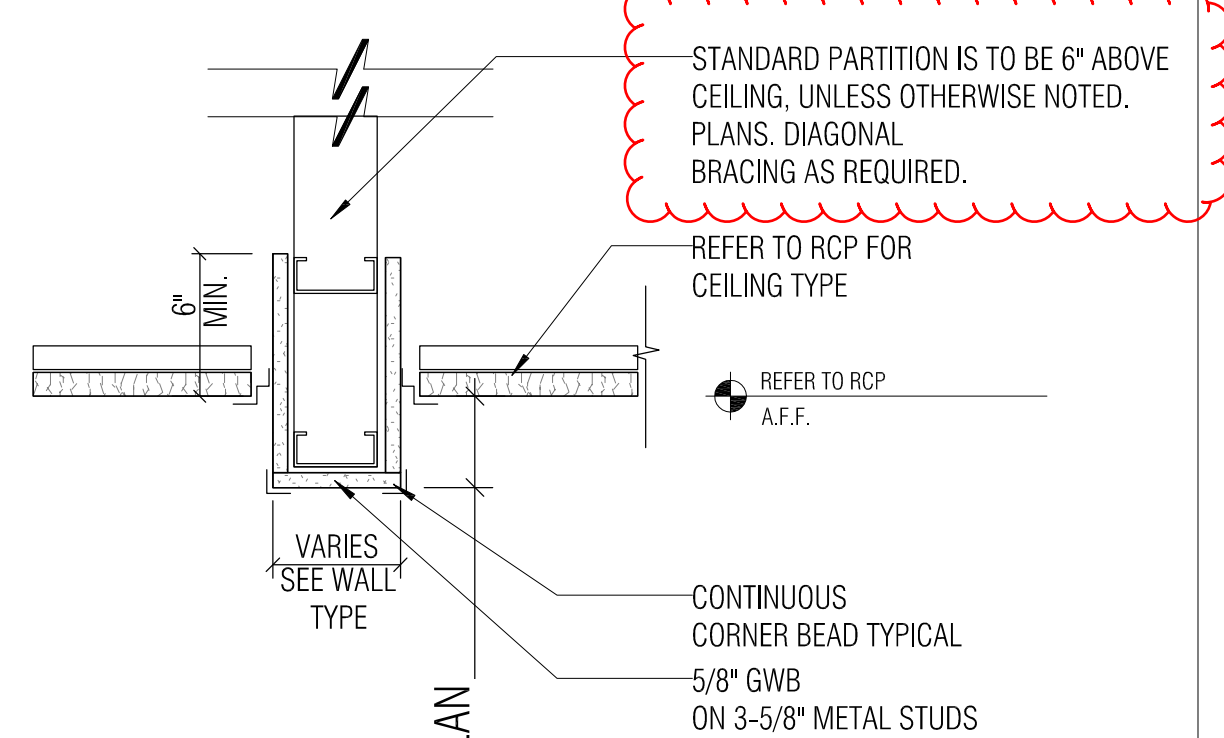
7 PARTITION ALIGN WITH EXISTING STRUCTURE
3" = 1'-0"



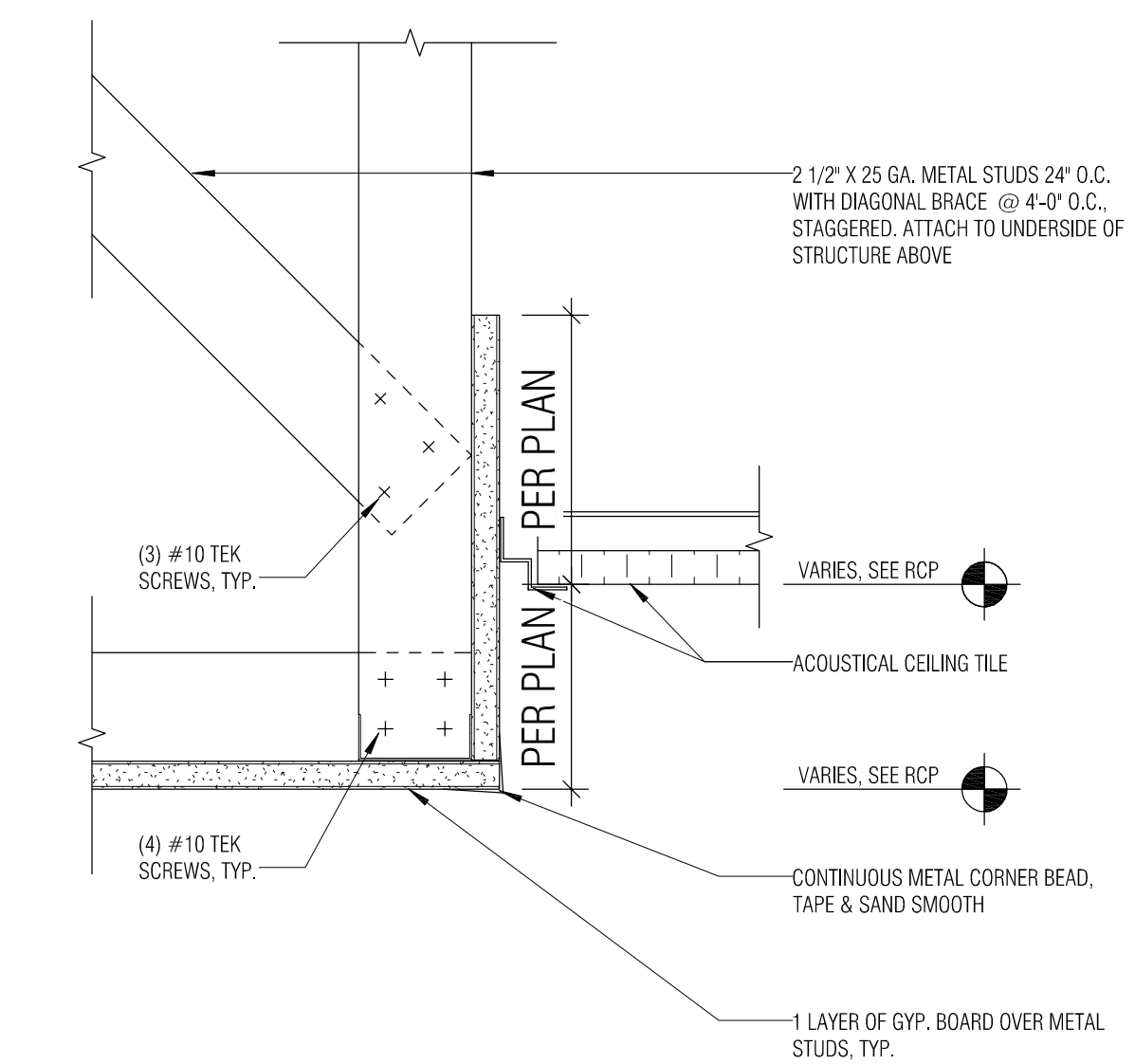
8 PARTITION INTERSECT WITH EXISTING STRUCTURE
3" = 1'-0"



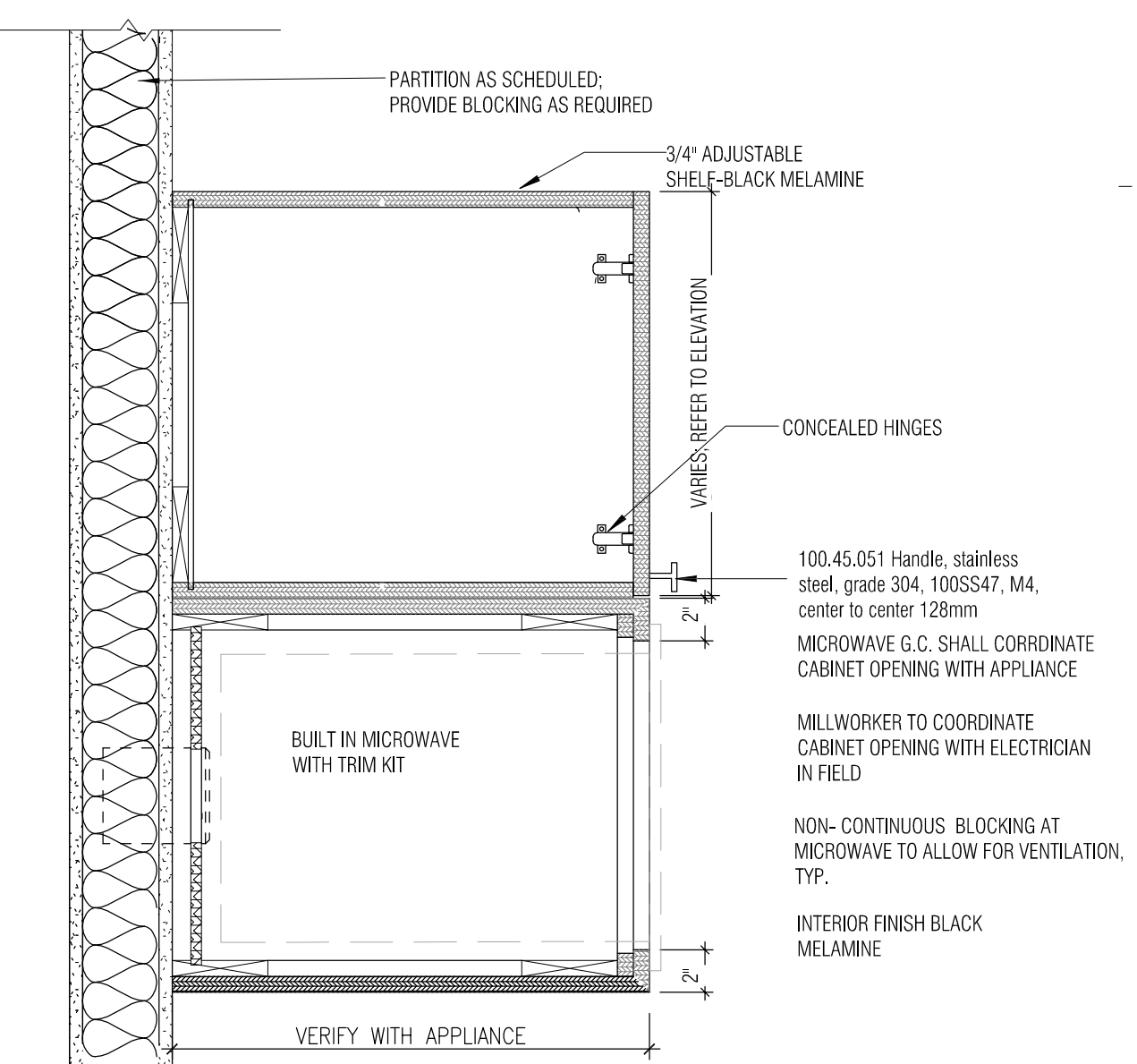
9 BACK TO BACK OUTLETS
3" = 1'-0"



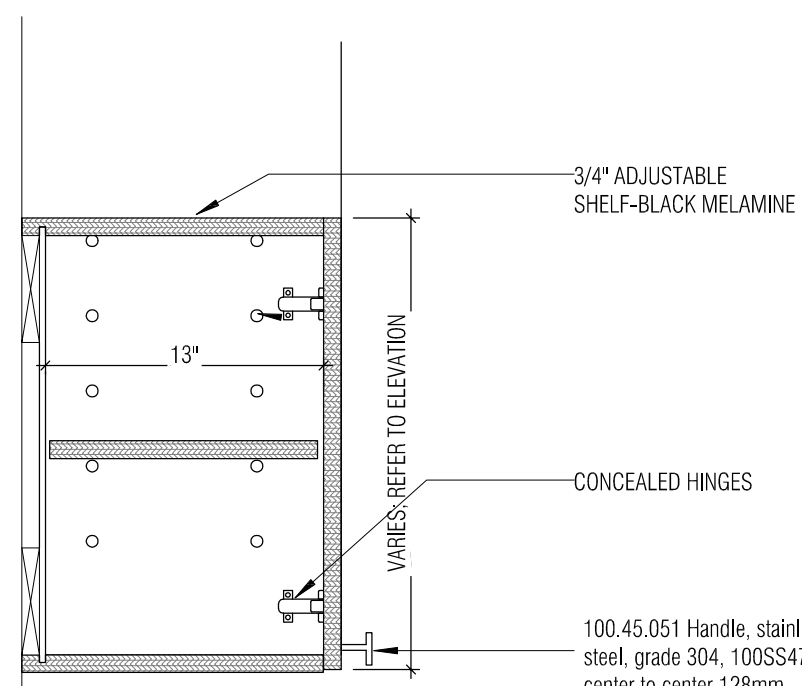
11 TYPICAL SOFFIT DETAIL
1 1/2" = 1'-0"



12 GYP. BD. SOFFIT SECTION AT KITCHENETTE
3" = 1'-0"



13 UPPER WALL CABINET WITH BUILT IN MICROWAVE
1 1/2" = 1'-0"



10 UPPER WALL CABINET
1 1/2" = 1'-0"

REVISION NO.	DATE

TITLE	SCALE	AS NOTED	PROJECT NO.	2017.009	DRWN	CHK
DETAILS	01-11-2018					