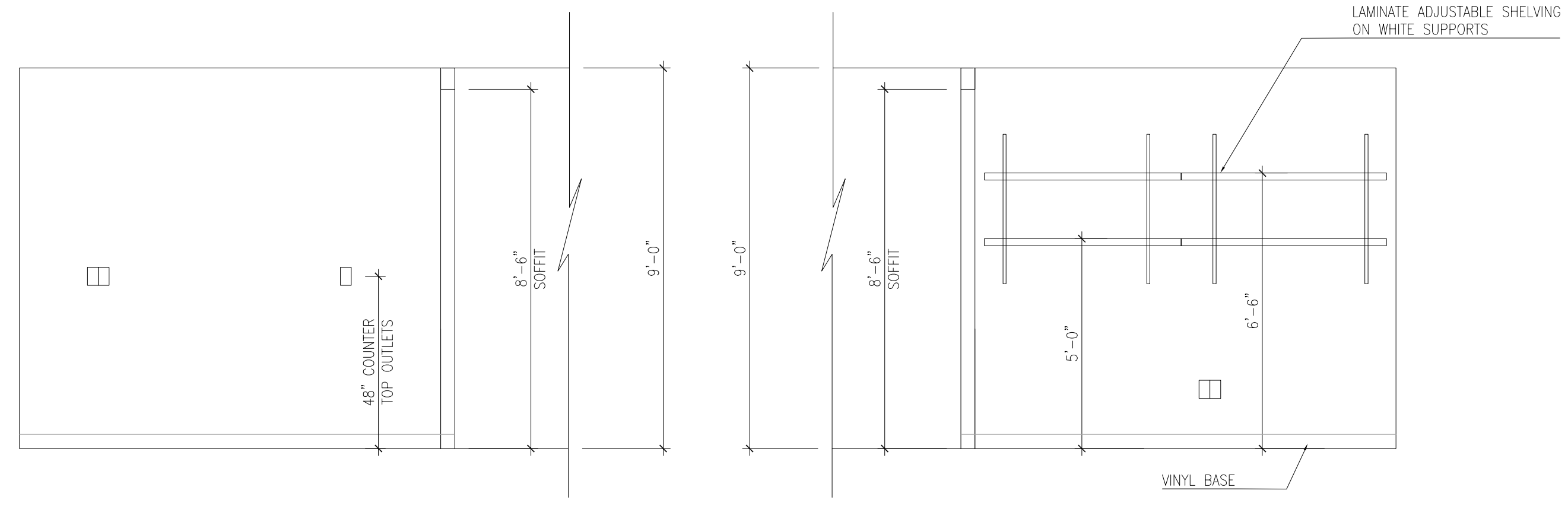


1 CONFERENCE ROOM AND KITCHENETTE ELEVATION  
3/8" = 1'-0"

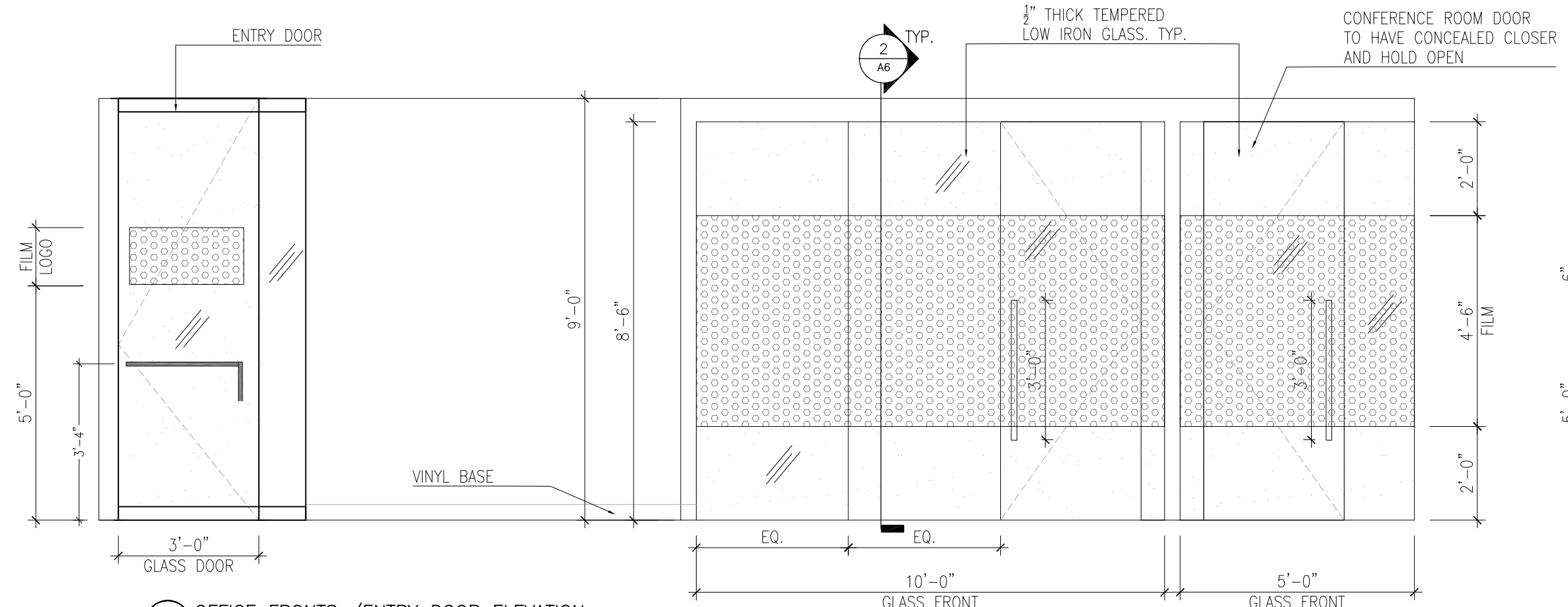
**APPLIANCE AND PLUMBING SCHEDULE:**

CODE	EQUIPMENT	EQUIPMENT DESCRIPTION
1	REFRIGERATOR/FREEZER	KITCHENAID, ARCHITECT SERIES II, 22 CU FT STD DEPTH WITH FREEZER ON BOTTOM DOOR TO SWING OPEN TO THE LEFT, MODEL #KBR522KWMS -STAINLESS STEEL FRONT, NO ICE MAKER. POWER: 115V AC, 60HZ, 1.5 OR 20AMP GROUNDED DED. SIZE: (68.5"H x 28.5"D x 35.625"W - VERIFY).
2	SINK (ADA)	ELKAY (2-HOLE) #LRAD-221955L W/ FAUCET LK7921SSS (PROVIDE WITH ALL NECESSARY ACCESSORIES). ALSO PROVIDE AT SECOND HOLE CULLIGAN WATER SYSTEMS COUNTER TOP UNIT.
3	WATER FILTRATION COFFEE BREWER	PROVIDE 2 FILTERED WATER LINES. COFFEE BREWER AND WATER UNIT PROVIDED BY TENANT. COORDINATE WITH ARCHITECT FOR GROMMET LOCATION IN COUNTER.
4	DISHWASHER (ADA)	GE ADA COMPLIANT DISHWASHER GLD6696MSS-Stainless steel
5	MICROWAVE	21 3/4" Countertop Convection Microwave Oven - 1000 Watt KMIC501SGSS TRIM KIT: PROVIDE MATCHING 27" OR 30" Trim Kit

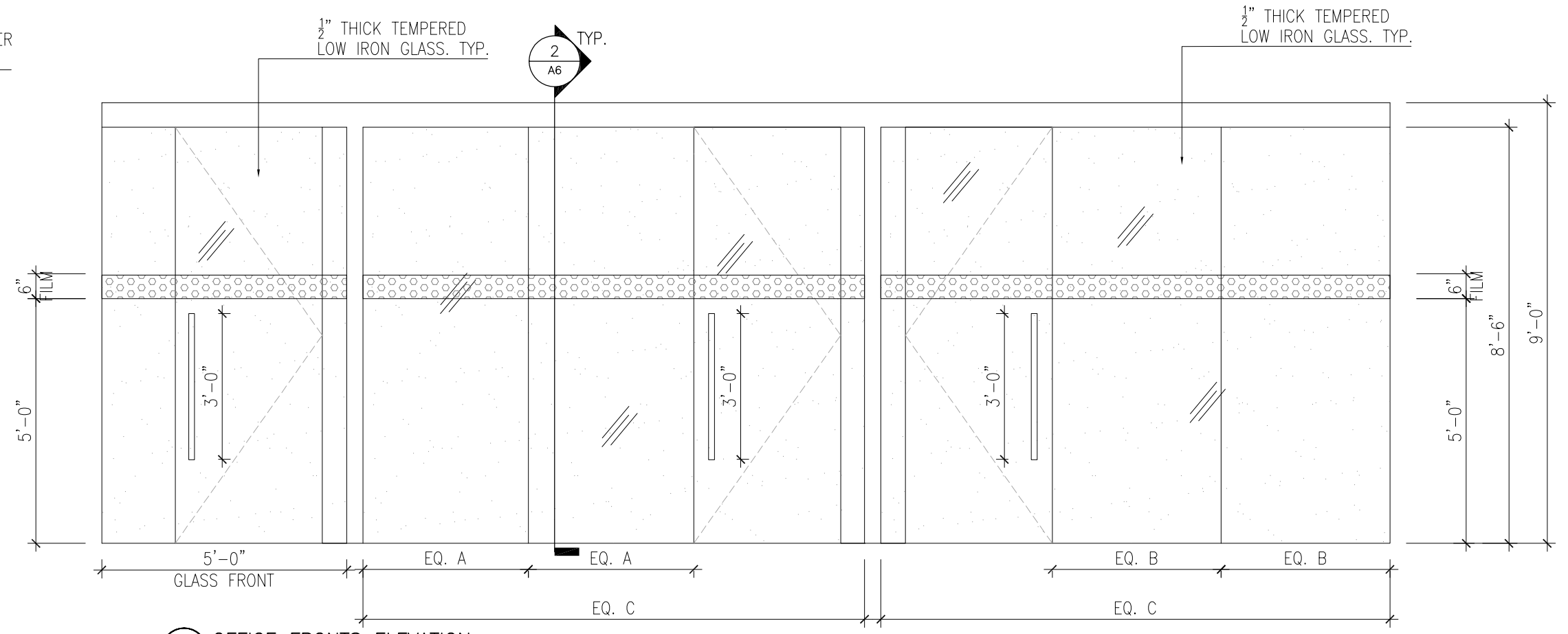


2 COPY ROOM ELEVATION  
3/8" = 1'-0"

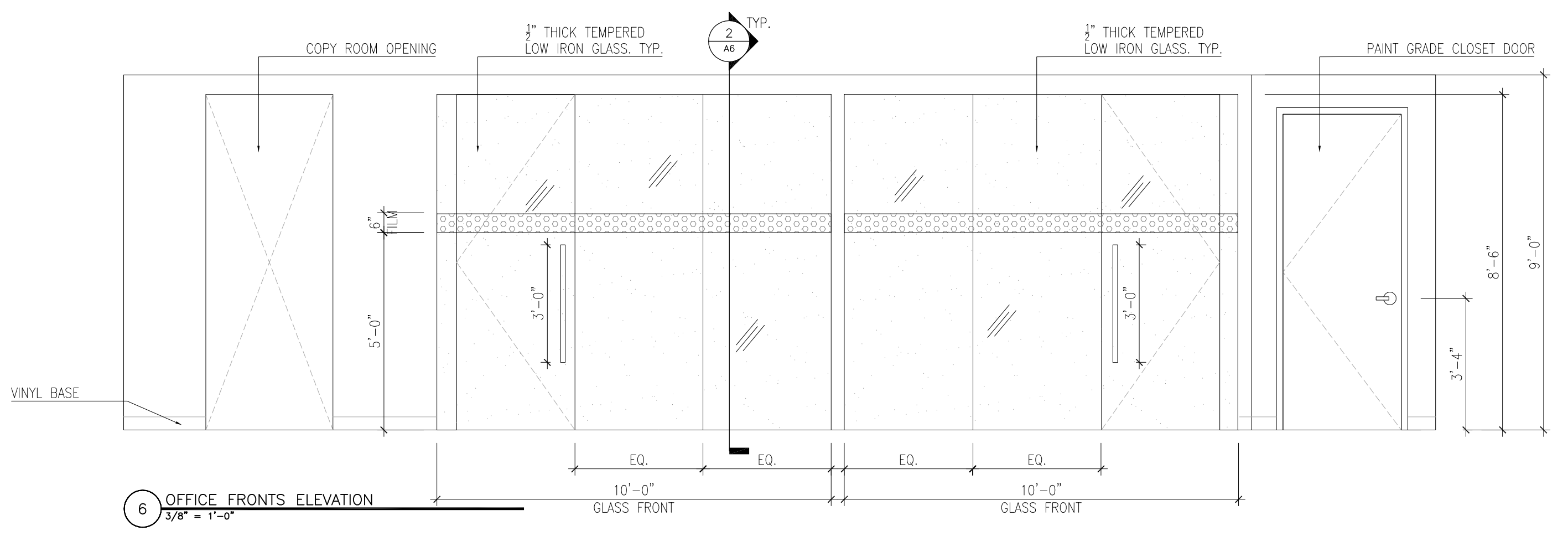
3 COPY ROOM ELEVATION  
3/8" = 1'-0"



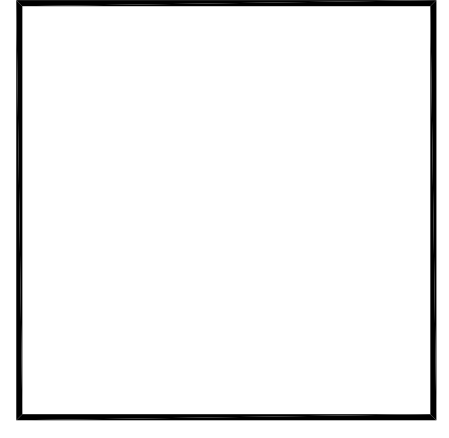
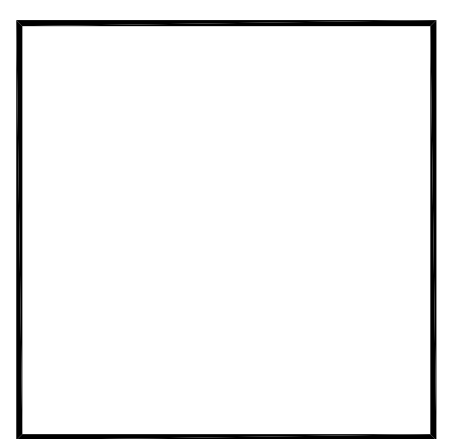
4 OFFICE FRONTS /ENTRY DOOR ELEVATION  
3/8" = 1'-0"



5 OFFICE FRONTS ELEVATION  
3/8" = 1'-0"



6 OFFICE FRONTS ELEVATION  
3/8" = 1'-0"



PROJECT  
**PENOBSCOT FINANCIAL ADVISORS**  
1 MONUMENT SQ. FLOOR 5  
PORTLAND, ME 04101

REVISION NO.	DATE

TITLE	SCALE	AS NOTED	PROJECT NO.	DATE	DRWN	CHK
<b>INTERIOR ELEVATIONS</b>			2017.009	01-11-2018		

DRAWING NO.  
**A4**