

Title

REFLECTED
CEILING PLAN

Scale: 1/8" = 1'-0"

Date: 7/10/13

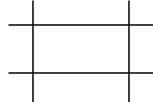

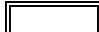



Revisions

Sheet

A2



CEILING PLAN LEGEND

-  SUSPENDED CEILING GRID
-  GYPSUM BOARD SOFFIT
-  FLUORESCENT TROFFER 24 X 48
-  FLUORESCENT TROFFER 24 X 24
-  HVAC SLOT DIFFUSER
-  SPRINKLER HEAD

REFLECTED CEILING PLAN GENERAL NOTES

- A. PLAN SHOWS CEILING GRID, AND LIGHT FIXTURE, HVAC, AND SPRINKLER LAYOUT RELATIVE TO GRID.
- B. DIFFUSER LOCATIONS AND TYPES ARE APPROXIMATE. MECHANICAL CONTRACTOR TO DETERMINE SIZES, TYPES, AND LOCATIONS.
- C. SPRINKLER HEAD LOCATIONS SHOWN ARE EXISTING. SPRINKLER CONTRACTOR TO RELOCATE OR ADD HEADS AS NECESSARY.
- D. THE GENERAL INTENT IS TO LEAVE AS MUCH OF THE EXISTING GRID IN PLACE AS POSSIBLE, AND FILL IN AS NEEDED IN RENOVATED AREAS.
- E. ALL EXISTING ACOUSTICAL TILE IS TO BE REMOVED AND NEW TILE INSTALLED IN ITS PLACE.

1 REFLECTED CEILING PLAN

SCALE: 1/8" = 1'-0"
2' 4' 8' 16'

 AREA N.I.C.

