



REVISIONS

CONSTRUCTION DOCUMENTS

BANK OF AMERICA - HOME LOANS

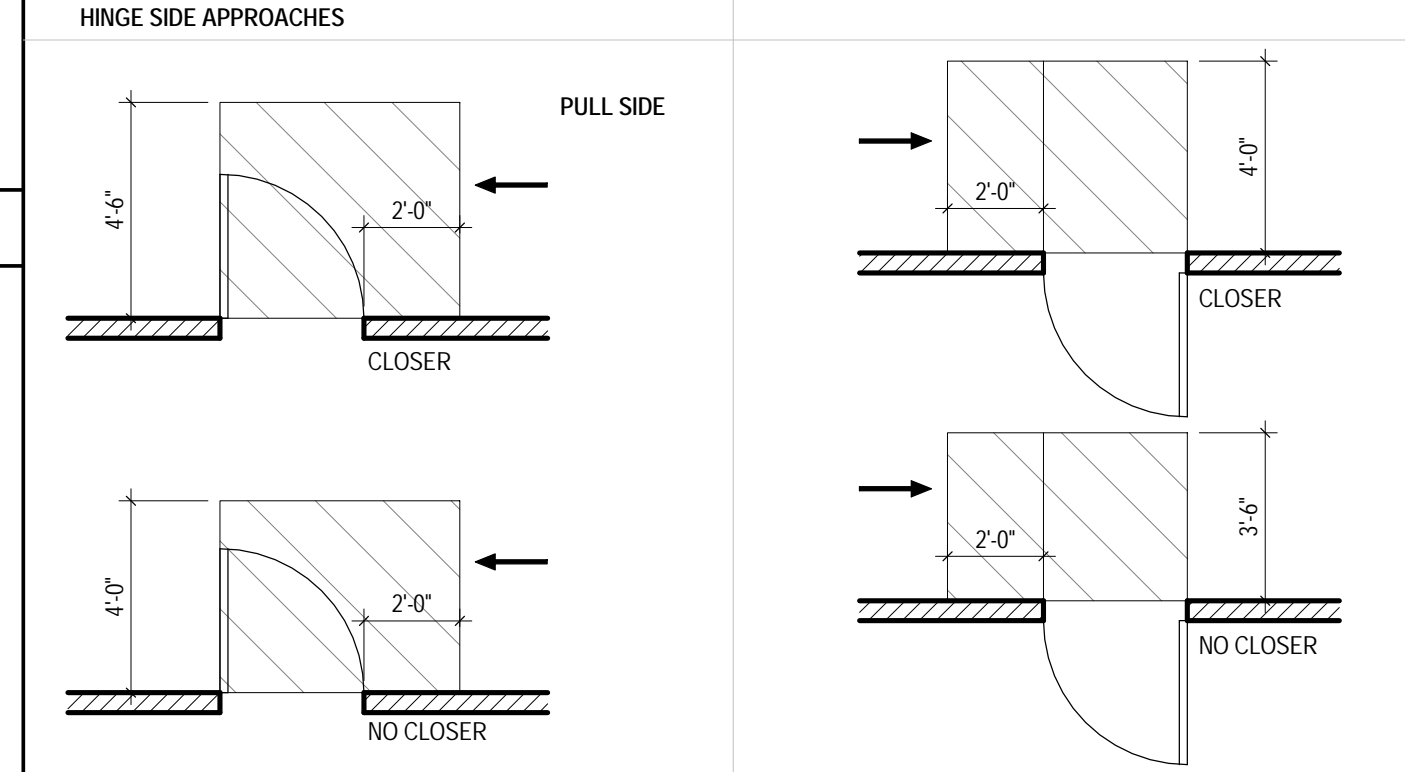
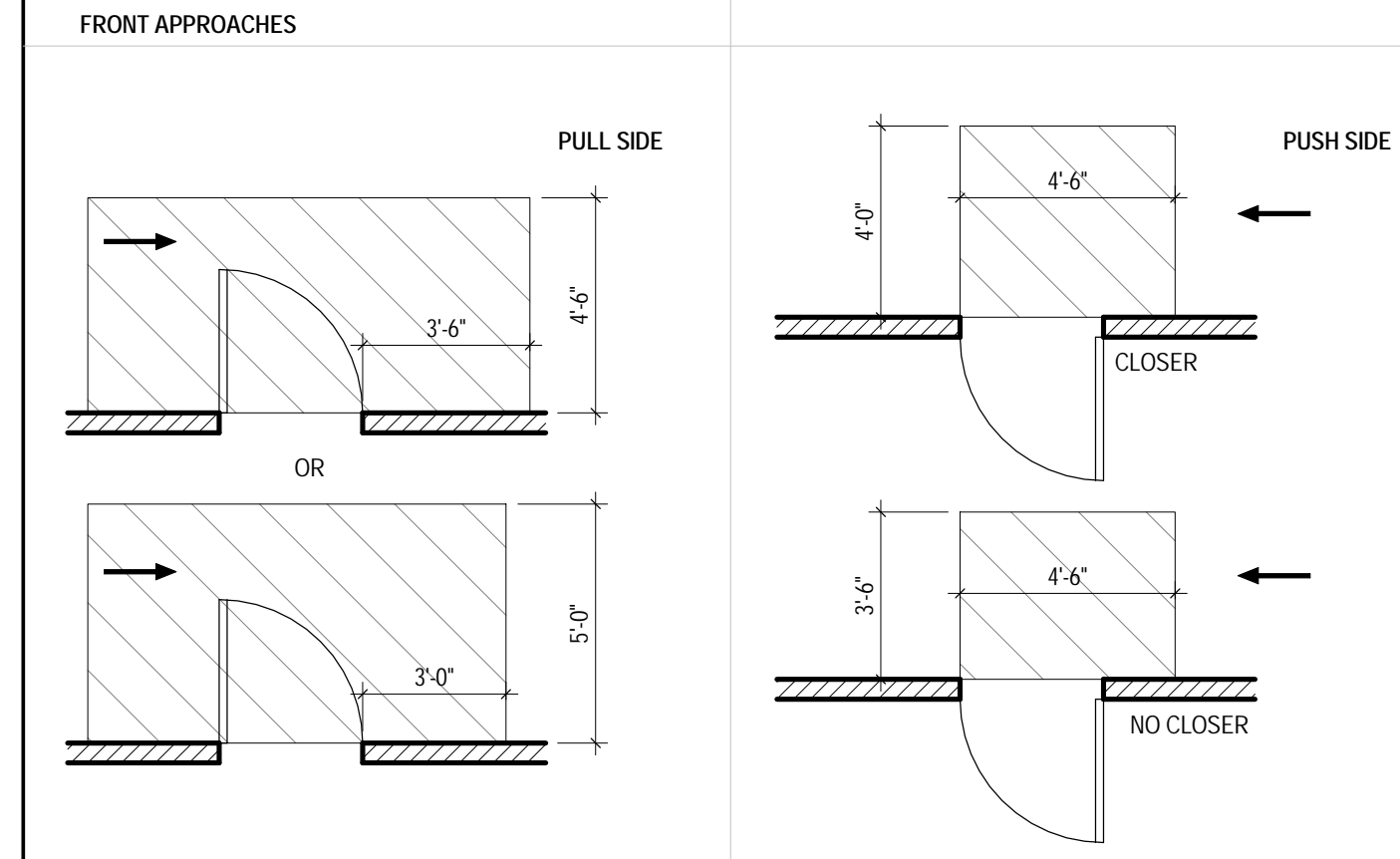
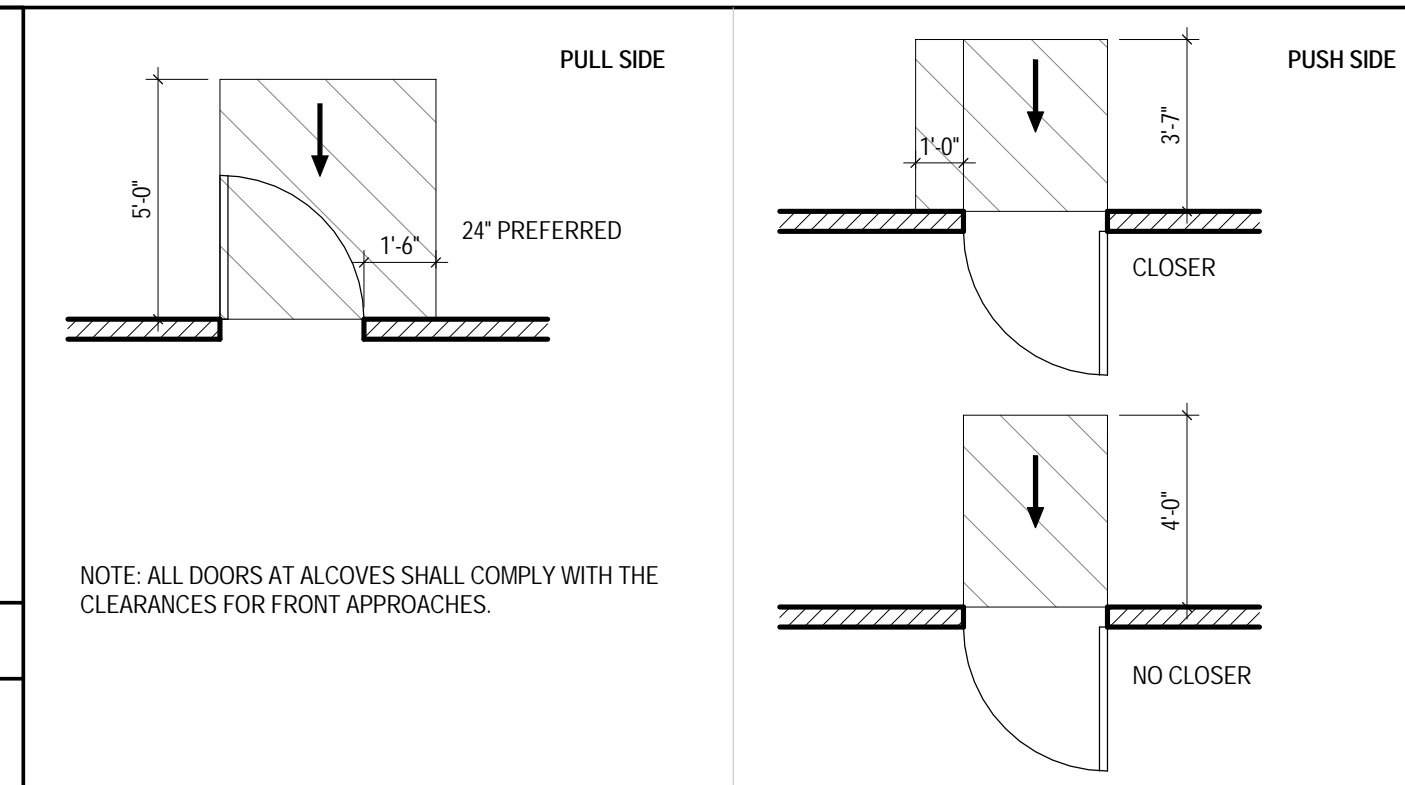
BANK OF AMERICA
11 MONUMENT SQUARE, PORTLAND ME

TITLE
ACCESSIBILITY REQUIREMENTS

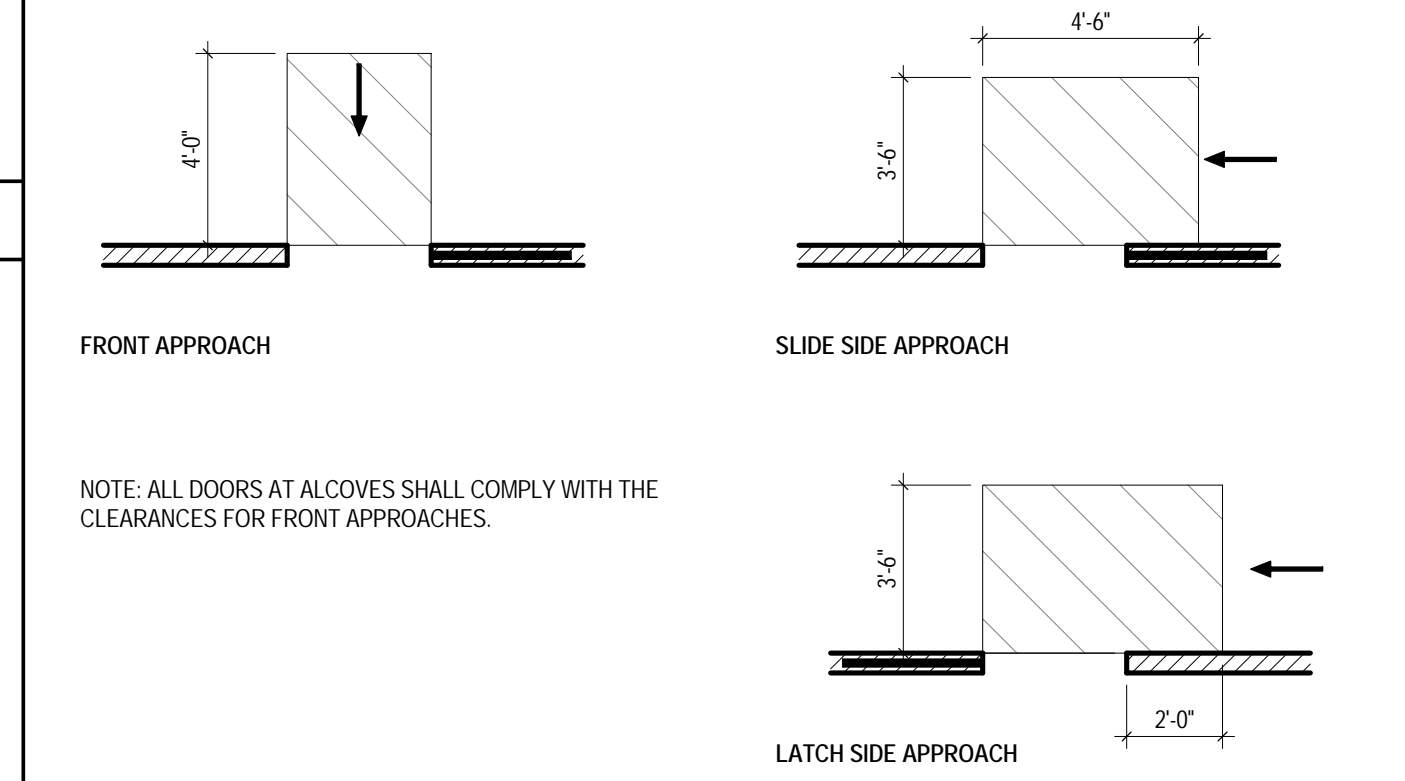
DATE 06/29/17 JOB NO. 17.0239

DRAWING NO. **A00.06**

ISSUED FOR CONSTRUCTION



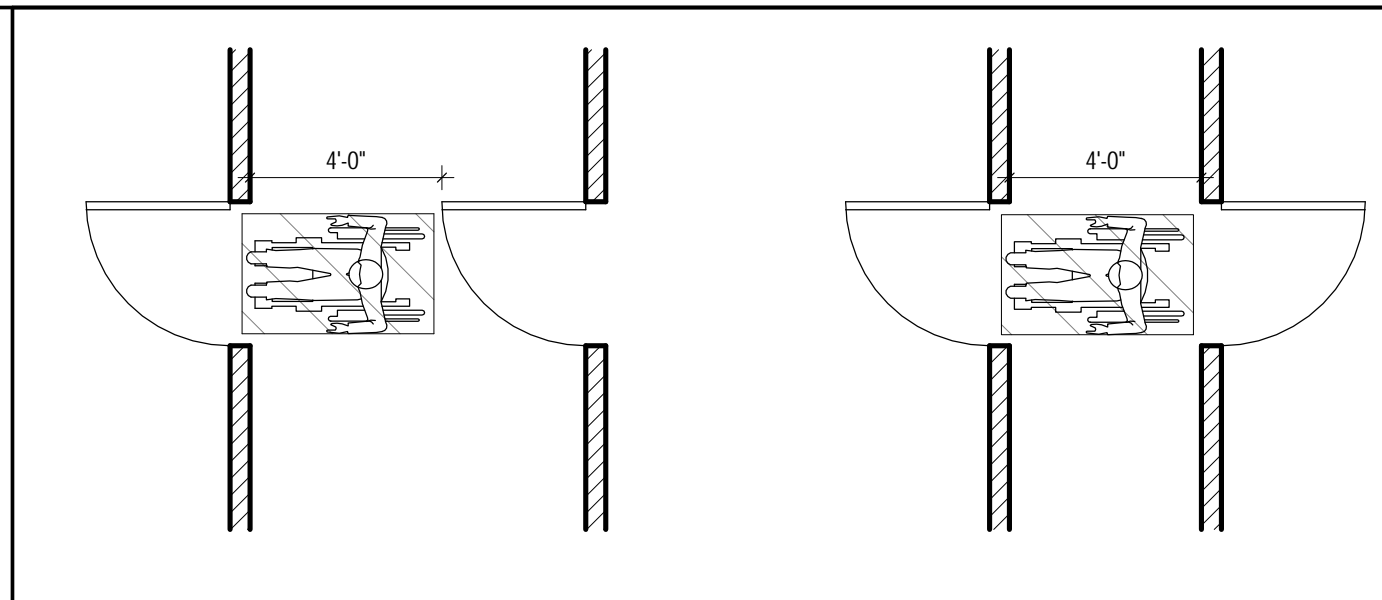
3 MANEUVERING CLEARANCES AT SWINGING DOORS



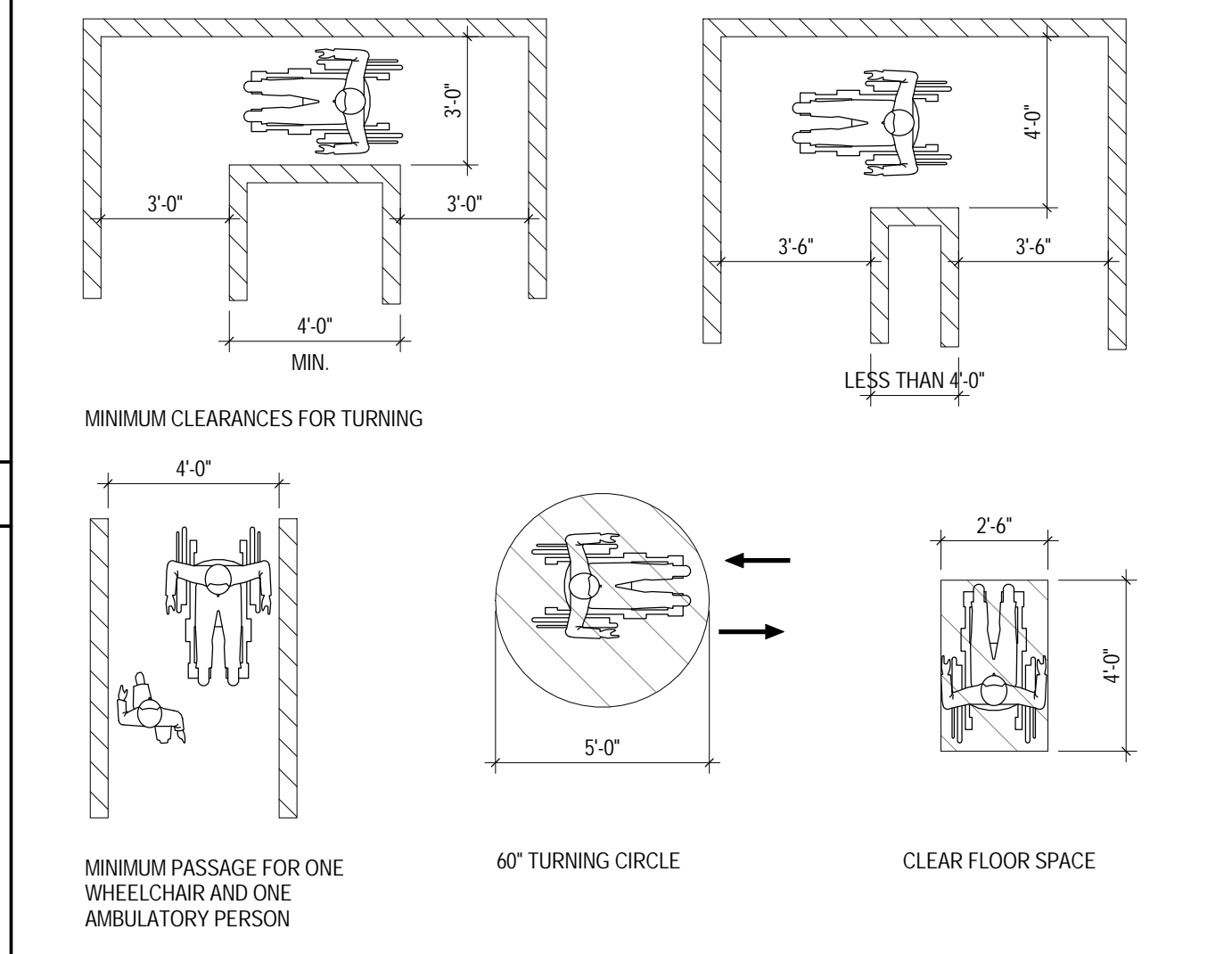
2 MANEUVERING CLEAR. AT SLIDING / FOLDING DOORS

NOTE:
THE CONDITIONS ILLUSTRATED ON THIS SHEET CONSTITUTE LEGAL STANDARDS FOR HANDICAPPED ACCESSIBILITY. THEY DO NOT CONSTITUTE ACTUAL ARCHITECTURAL CONDITIONS FOR CONSTRUCTION IN THE COURSE OF THIS WORK.
SEE ENCLOSED ARCHITECTURAL DRAWINGS FOR ACTUAL EXTENT OF WORK. NOT ALL CONDITIONS SHOWN HERE NECESSARILY OCCUR IN THIS PROJECT.
CONTRACTOR TO INFORM ARCHITECT WHEN DUE TO FIELD CONDITIONS, ETC., ACTUAL CONSTRUCTION WILL NOT CONFORM TO THESE STANDARDS.
REFER TO ICC A117.1 FOR ALL ACCESSIBILITY REQUIREMENTS.

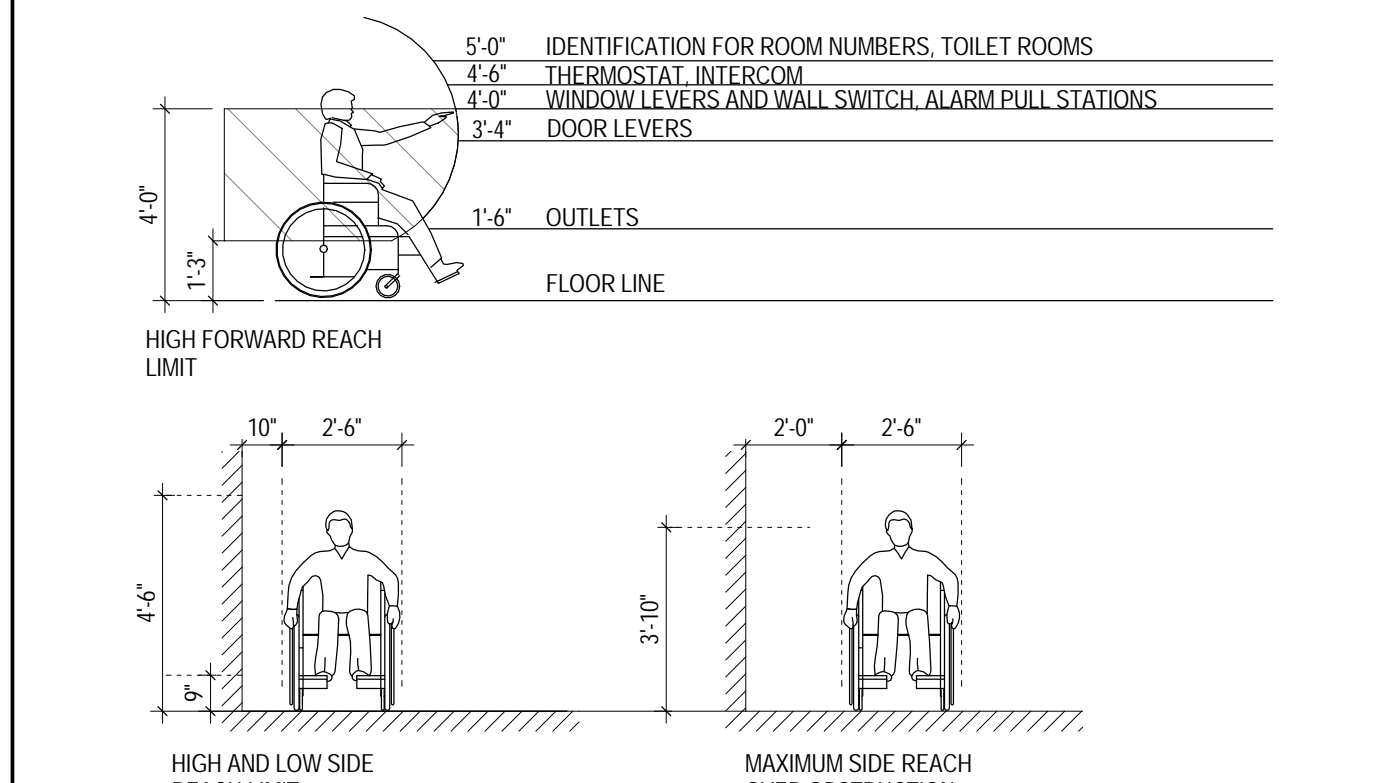
1 GENERAL NOTES



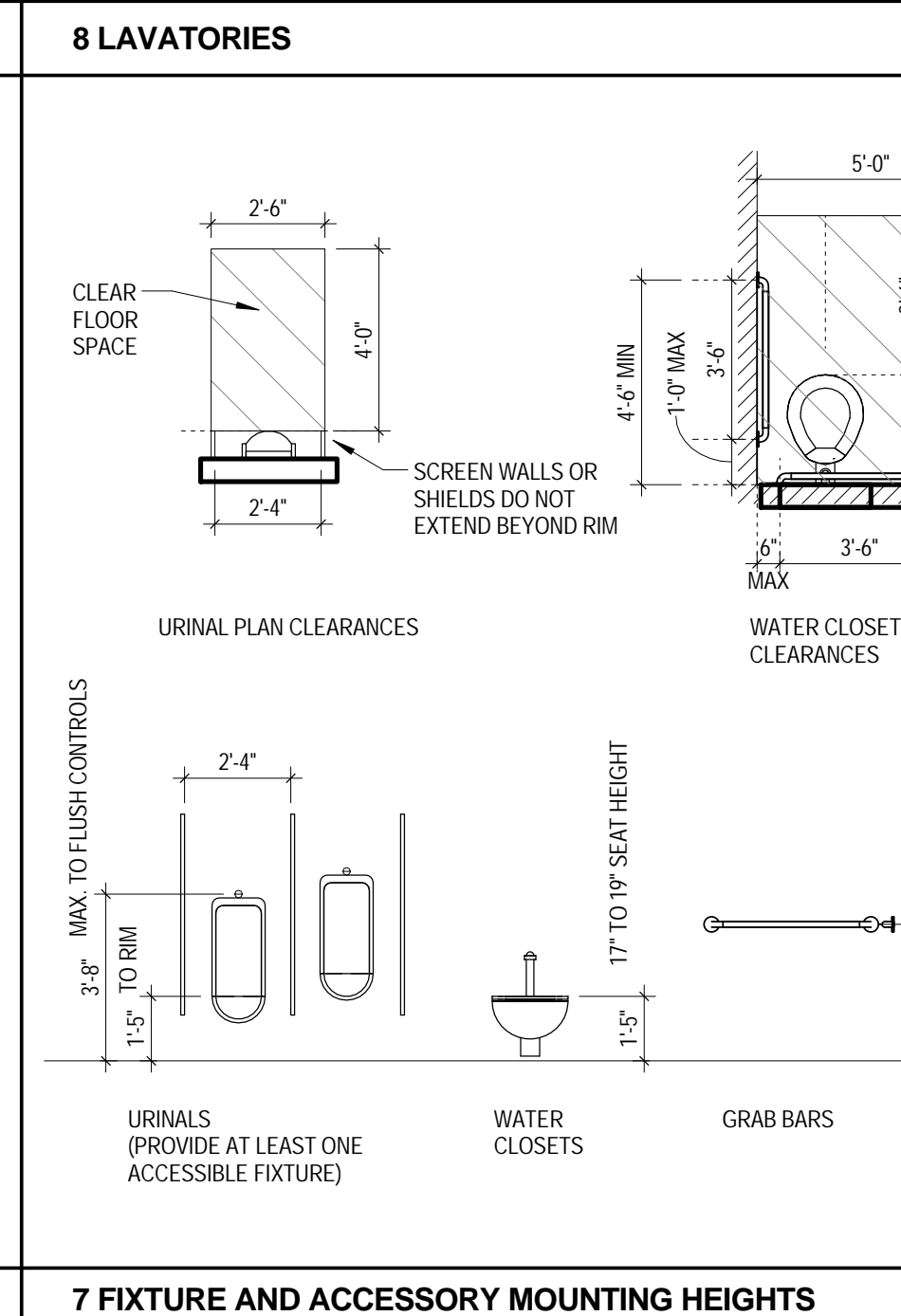
6 TWO HINGED DOORS IN SERIES



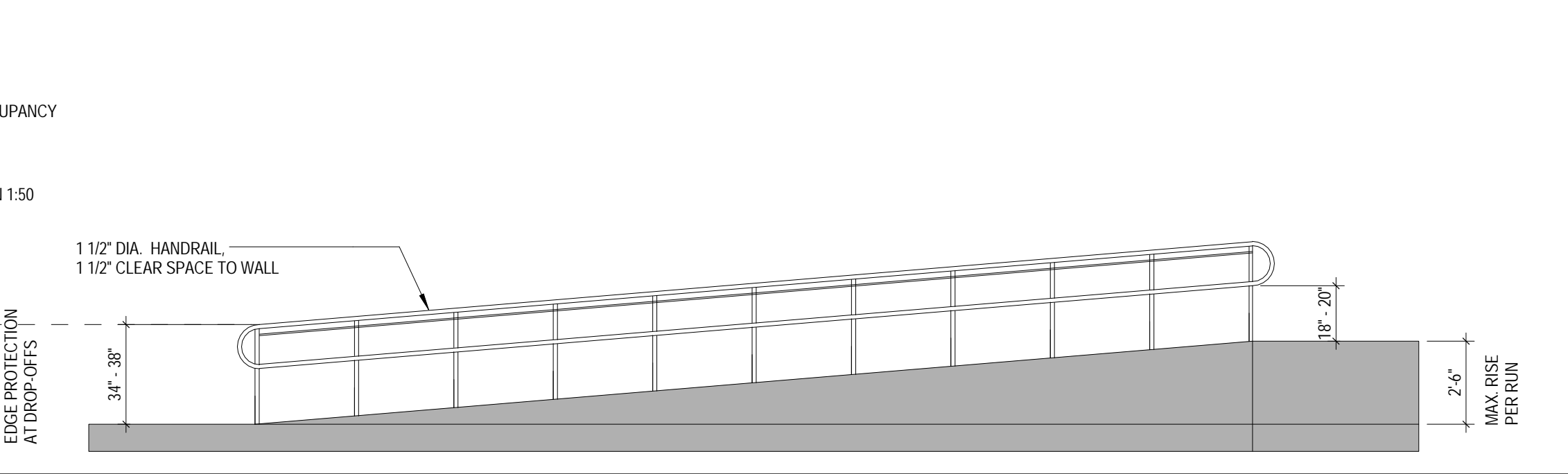
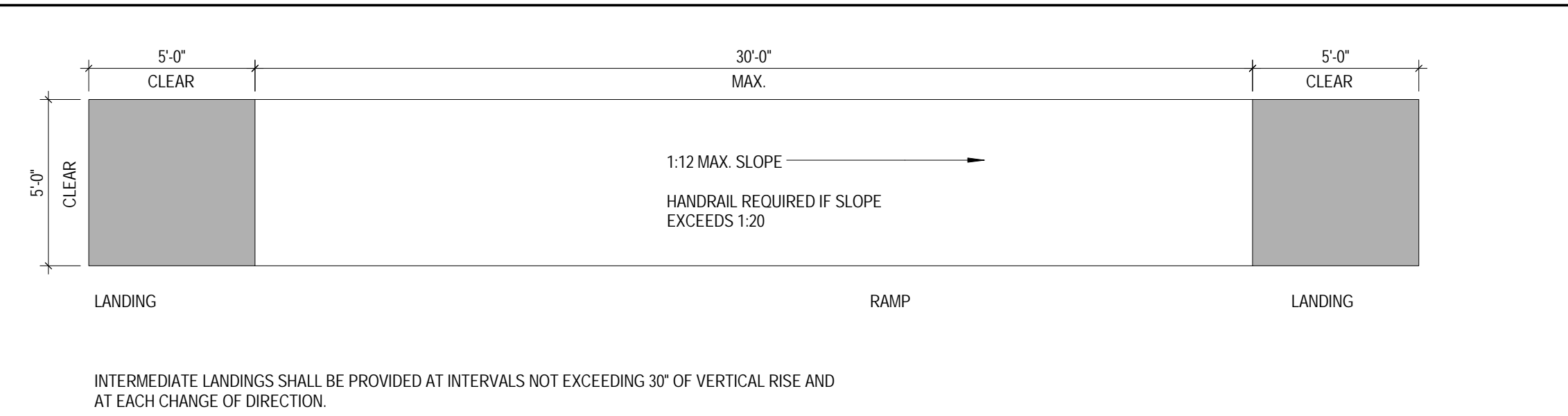
5 ACCESSIBLE ROUTES



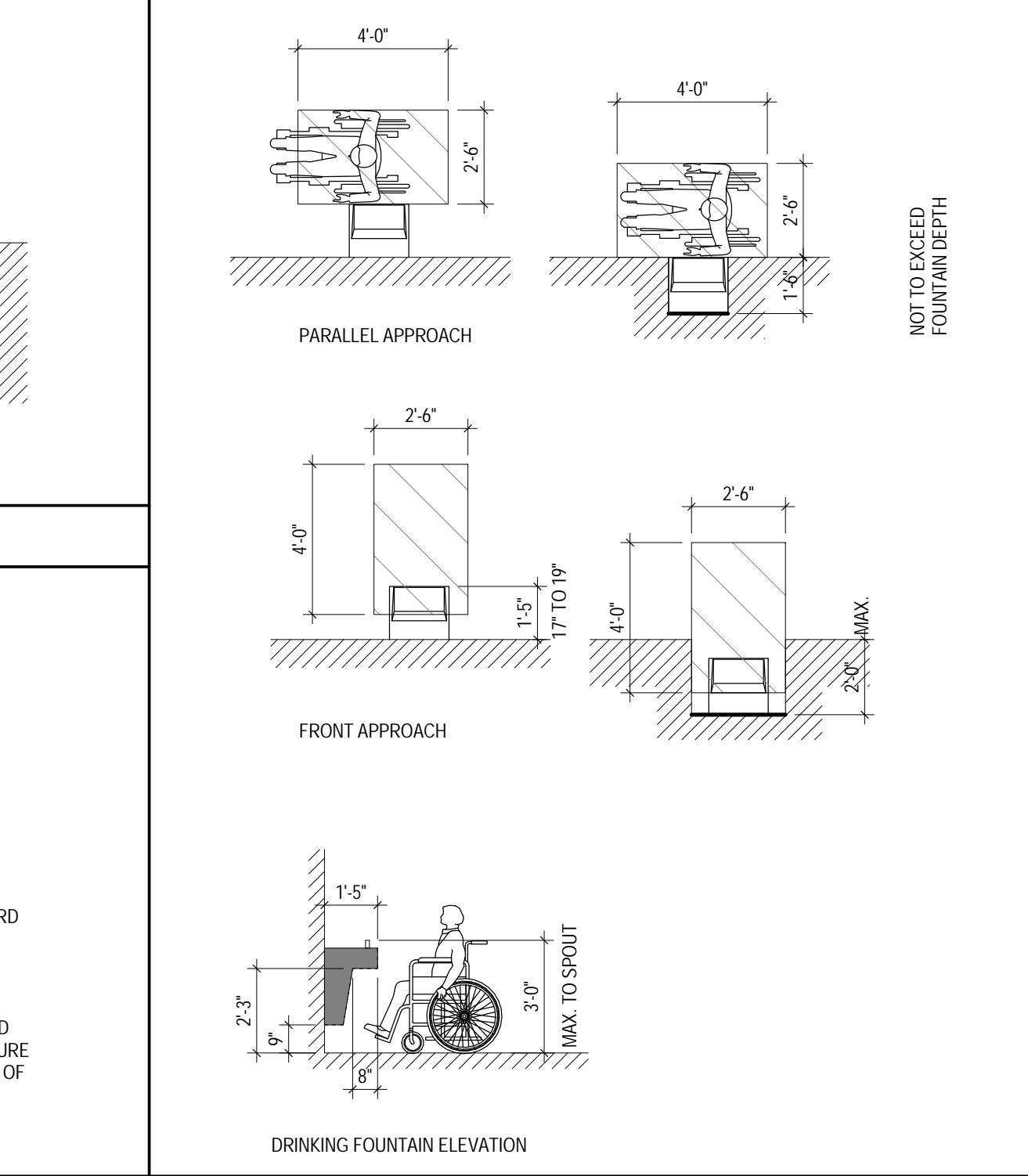
4 REACH RANGES



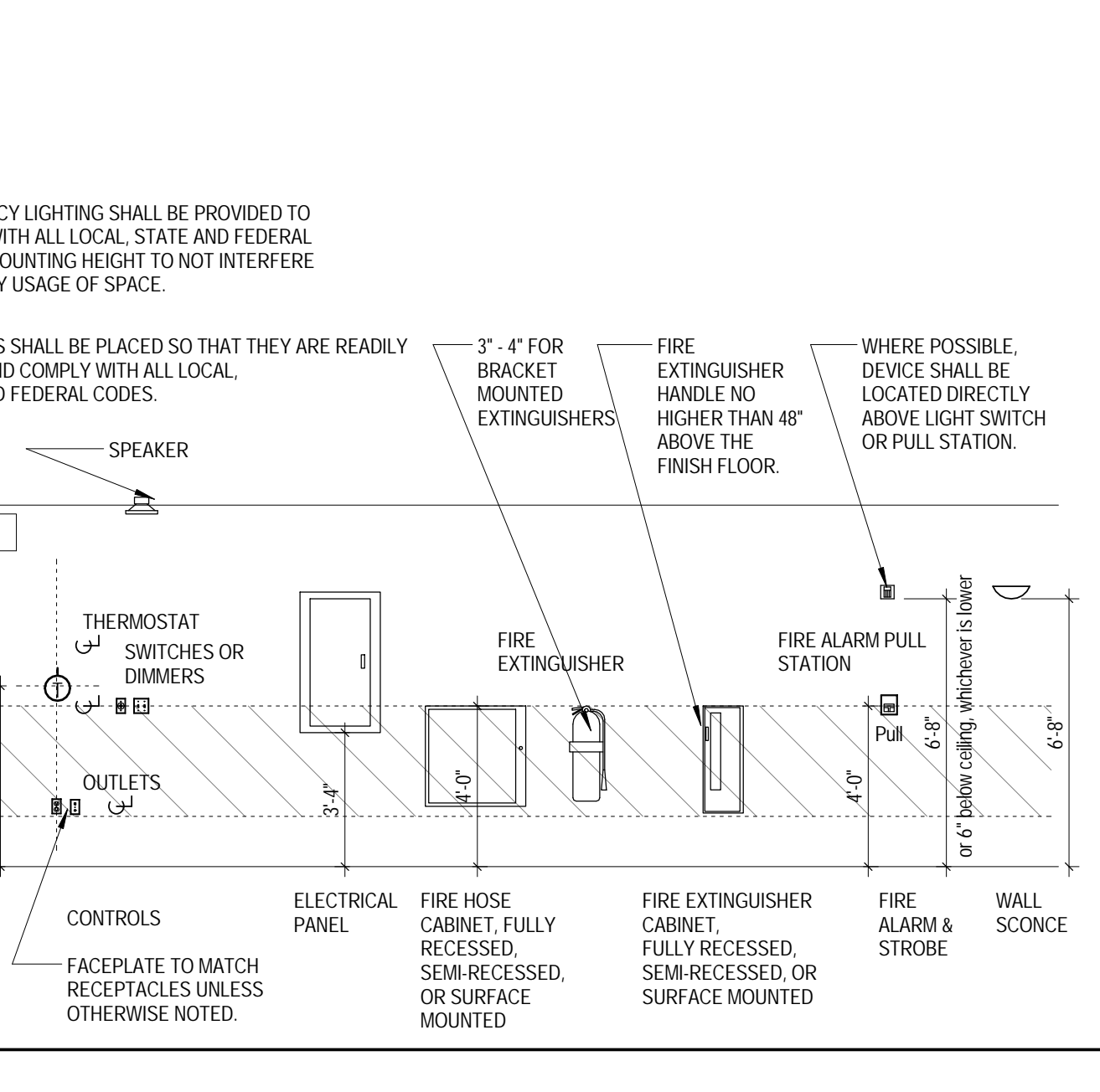
7 FIXTURE AND ACCESSORY MOUNTING HEIGHTS



13 RAMPS / HANDRAILS



9 DRINKING FOUNTAINS



11 INTERIOR TENANT SPACE SIGNAGE

10 MOUNTING HEIGHTS

8 LAVATORIES

7 FIXTURE AND ACCESSORY MOUNTING HEIGHTS

6 TWO HINGED DOORS IN SERIES

5 ACCESSIBLE ROUTES

4 REACH RANGES

3 MANEUVERING CLEARANCES AT SWINGING DOORS

2 MANEUVERING CLEAR. AT SLIDING / FOLDING DOORS

1 GENERAL NOTES

13 RAMPS / HANDRAILS

12 STAIR RAILING DETAIL

9 DRINKING FOUNTAINS

8 LAVATORIES

7 FIXTURE AND ACCESSORY MOUNTING HEIGHTS

6 TWO HINGED DOORS IN SERIES

5 ACCESSIBLE ROUTES

4 REACH RANGES

3 MANEUVERING CLEARANCES AT SWINGING DOORS

2 MANEUVERING CLEAR. AT SLIDING / FOLDING DOORS

1 GENERAL NOTES

13 RAMPS / HANDRAILS

12 STAIR RAILING DETAIL

9 DRINKING FOUNTAINS

8 LAVATORIES

7 FIXTURE AND ACCESSORY MOUNTING HEIGHTS

6 TWO HINGED DOORS IN SERIES

5 ACCESSIBLE ROUTES

4 REACH RANGES

3 MANEUVERING CLEARANCES AT SWINGING DOORS

2 MANEUVERING CLEAR. AT SLIDING / FOLDING DOORS

1 GENERAL NOTES

13 RAMPS / HANDRAILS

12 STAIR RAILING DETAIL

9 DRINKING FOUNTAINS

8 LAVATORIES

7 FIXTURE AND ACCESSORY MOUNTING HEIGHTS

6 TWO HINGED DOORS IN SERIES

5 ACCESSIBLE ROUTES

4 REACH RANGES

3 MANEUVERING CLEARANCES AT SWINGING DOORS

2 MANEUVERING CLEAR. AT SLIDING / FOLDING DOORS

1 GENERAL NOTES

13 RAMPS / HANDRAILS

12 STAIR RAILING DETAIL

9 DRINKING FOUNTAINS

8 LAVATORIES

7 FIXTURE AND ACCESSORY MOUNTING HEIGHTS

6 TWO HINGED DOORS IN SERIES

5 ACCESSIBLE ROUTES

4 REACH RANGES

3 MANEUVERING CLEARANCES AT SWINGING DOORS

2 MANEUVERING CLEAR. AT SLIDING / FOLDING DOORS

1 GENERAL NOTES

13 RAMPS / HANDRAILS

12 STAIR RAILING DETAIL

9 DRINKING FOUNTAINS

8 LAVATORIES

7 FIXTURE AND ACCESSORY MOUNTING HEIGHTS

©2017 Dyer Brown & Associates Inc. ALL RIGHTS RESERVED

13 RAMPS / HANDRAILS

12 STAIR RAILING DETAIL

9 DRINKING FOUNTAINS

8 LAVATORIES

7 FIXTURE AND ACCESSORY MOUNTING HEIGHTS

6 TWO HINGED DOORS IN SERIES

5 ACCESSIBLE ROUTES

4 REACH RANGES

3 MANEUVERING CLEARANCES AT SWINGING DOORS

2 MANEUVERING CLEAR. AT SLIDING / FOLDING DOORS

1 GENERAL NOTES

13 RAMPS / HANDRAILS

12 STAIR RAILING DETAIL

9 DRINKING FOUNTAINS

8 LAVATORIES

7 FIXTURE AND ACCESSORY MOUNTING HEIGHTS

6 TWO HINGED DOORS IN SERIES

5 ACCESSIBLE ROUTES

4 REACH RANGES

3 MANEUVERING CLEARANCES AT SWINGING DOORS

2 MANEUVERING CLEAR. AT SLIDING / FOLDING DOORS

1 GENERAL NOTES

13 RAMPS / HANDRAILS

12 STAIR RAILING DETAIL

9 DRINKING FOUNTAINS

8 LAVATORIES

7 FIXTURE AND ACCESSORY MOUNTING HEIGHTS

6 TWO HINGED DOORS IN SERIES

5 ACCESSIBLE ROUTES

4 REACH RANGES

3 MANEUVERING CLEARANCES AT SWINGING DOORS

2 MANEUVERING CLEAR. AT SLIDING / FOLDING DOORS

1 GENERAL NOTES

13 RAMPS / HANDRAILS

12 STAIR RAILING DETAIL

9 DRINKING FOUNTAINS

8 LAVATORIES

7 FIXTURE AND ACCESSORY MOUNTING HEIGHTS

6 TWO HINGED DOORS IN SERIES

5 ACCESSIBLE ROUTES

4 REACH RANGES

3 MANEUVERING CLEARANCES AT SWINGING DOORS

2 MANEUVERING CLEAR. AT SLIDING / FOLDING DOORS

1 GENERAL NOTES

13 RAMPS / HANDRAILS

12 STAIR RAILING DETAIL

9 DRINKING FOUNTAINS

8 LAVATORIES

7 FIXTURE AND ACCESSORY MOUNTING HEIGHTS

6 TWO HINGED DOORS IN SERIES

5 ACCESSIBLE ROUTES

4 REACH RANGES

3 MANEUVERING CLEARANCES AT SWINGING DOORS

2 MANEUVERING CLEAR. AT SLIDING / FOLDING DOORS

1 GENERAL NOTES

13 RAMPS / HANDRAILS

12 STAIR RAILING DETAIL

9 DRINKING FOUNTAINS

8 LAVATORIES

7 FIXTURE AND ACCESSORY MOUNTING HEIGHTS

6 TWO HINGED DOORS IN SERIES

5 ACCESSIBLE ROUTES

4 REACH RANGES

3 MANEUVERING CLEARANCES AT SWINGING DOORS

2 MANEUVERING CLEAR. AT SLIDING / FOLDING DOORS

1 GENERAL NOTES

13 RAMPS / HANDRAILS

12 STAIR RAILING DETAIL

9 DRINKING FOUNTAINS

8 LAVATORIES

7 FIXTURE AND ACCESSORY MOUNTING HEIGHTS

6 TWO HINGED DOORS IN SERIES

5 ACCESSIBLE ROUTES

4 REACH RANGES

3 MANEUVERING CLEARANCES AT SWINGING DOORS

2 MANEUVERING CLEAR. AT SLIDING / FOLDING DOORS

1 GENERAL NOTES

13 RAMPS / HANDRAILS

12 STAIR RAILING DETAIL

9 DRINKING FOUNTAINS

8 LAVATORIES

7 FIXTURE AND ACCESSORY MOUNTING HEIGHTS

6 TWO HINGED DOORS IN SERIES

5 ACCESSIBLE ROUTES

4 REACH RANGES

3 MANEUVERING CLEARANCES AT SWINGING DOORS

2 MANEUVERING CLEAR. AT SLIDING / FOLDING DOORS

1 GENERAL NOTES

13 RAMPS / HANDRAILS

12 STAIR RAILING DETAIL

9 DRINKING FOUNTAINS

8 LAVATORIES

7 FIXTURE AND ACCESSORY MOUNTING HEIGHTS

6 TWO HINGED DOORS IN SERIES

5 ACCESSIBLE ROUTES

4 REACH RANGES

3 MANEUVERING CLEARANCES AT SWINGING DOORS

2 MANEUVERING CLEAR. AT SLIDING / FOLDING DOORS

1 GENERAL NOTES

13 RAMPS / HANDRAILS

12 STAIR RAILING DETAIL

9 DRINKING FOUNTAINS

8 LAVATORIES

7 FIXTURE AND ACCESSORY MOUNTING HEIGHTS

6 TWO HINGED DOORS IN SERIES

5 ACCESSIBLE ROUTES

4 REACH RANGES

3 MANEUVERING CLEARANCES AT SWINGING DOORS

2 MANEUVERING CLEAR. AT SLIDING / FOLDING DOORS

1 GENERAL NOTES

13 RAMPS / HANDRAILS

12 STAIR RAILING DETAIL