



*Brent D. Zeigler*

REVISIONS

**BANK OF AMERICA - 9TH & 10TH FLOORS**

BANK OF AMERICA  
1 MONUMENT SQUARE  
Portland, ME

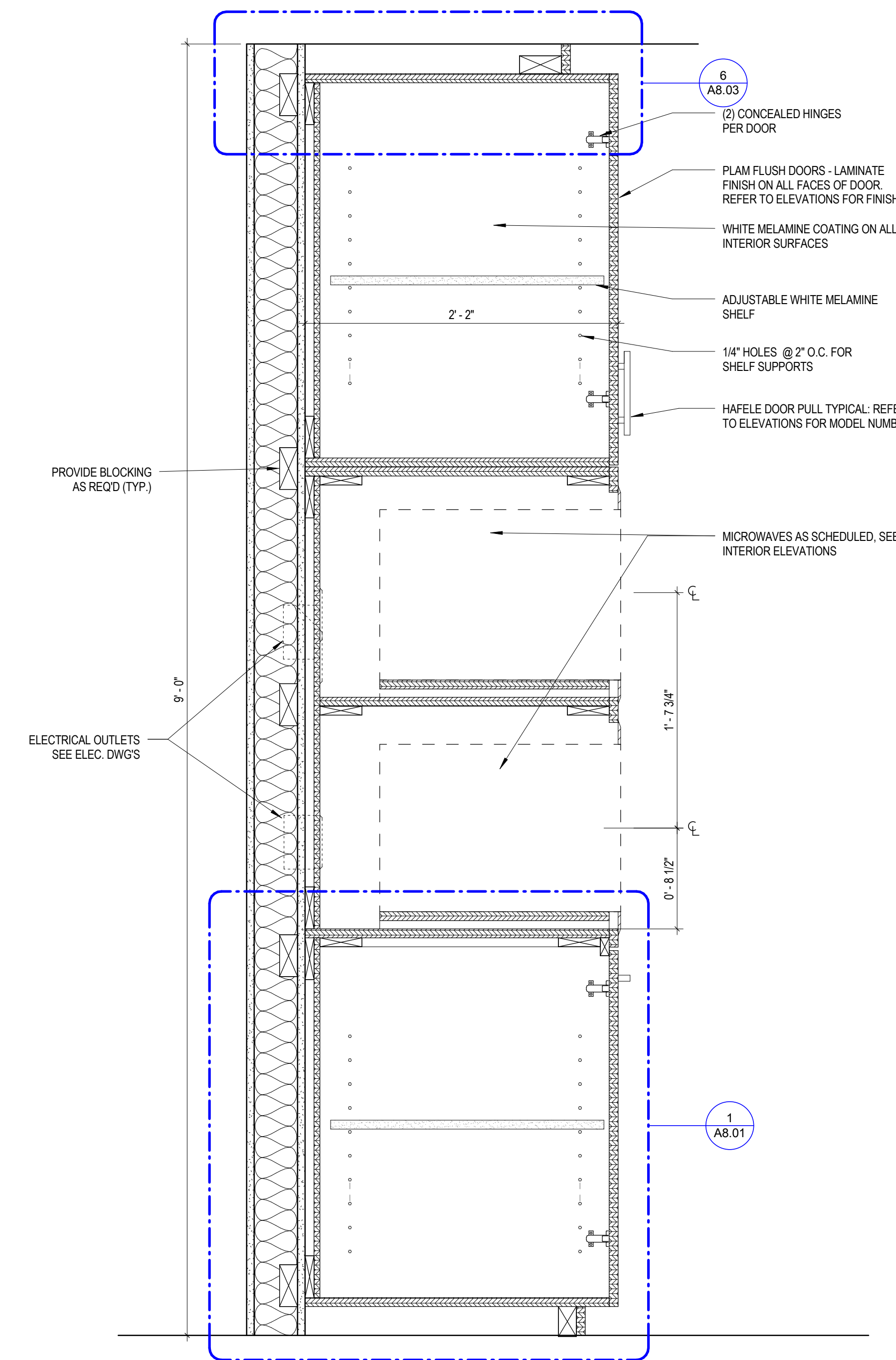
TITLE  
MILLWORK DETAILS

DATE JOB NO.  
May 11, 2015 15051.00

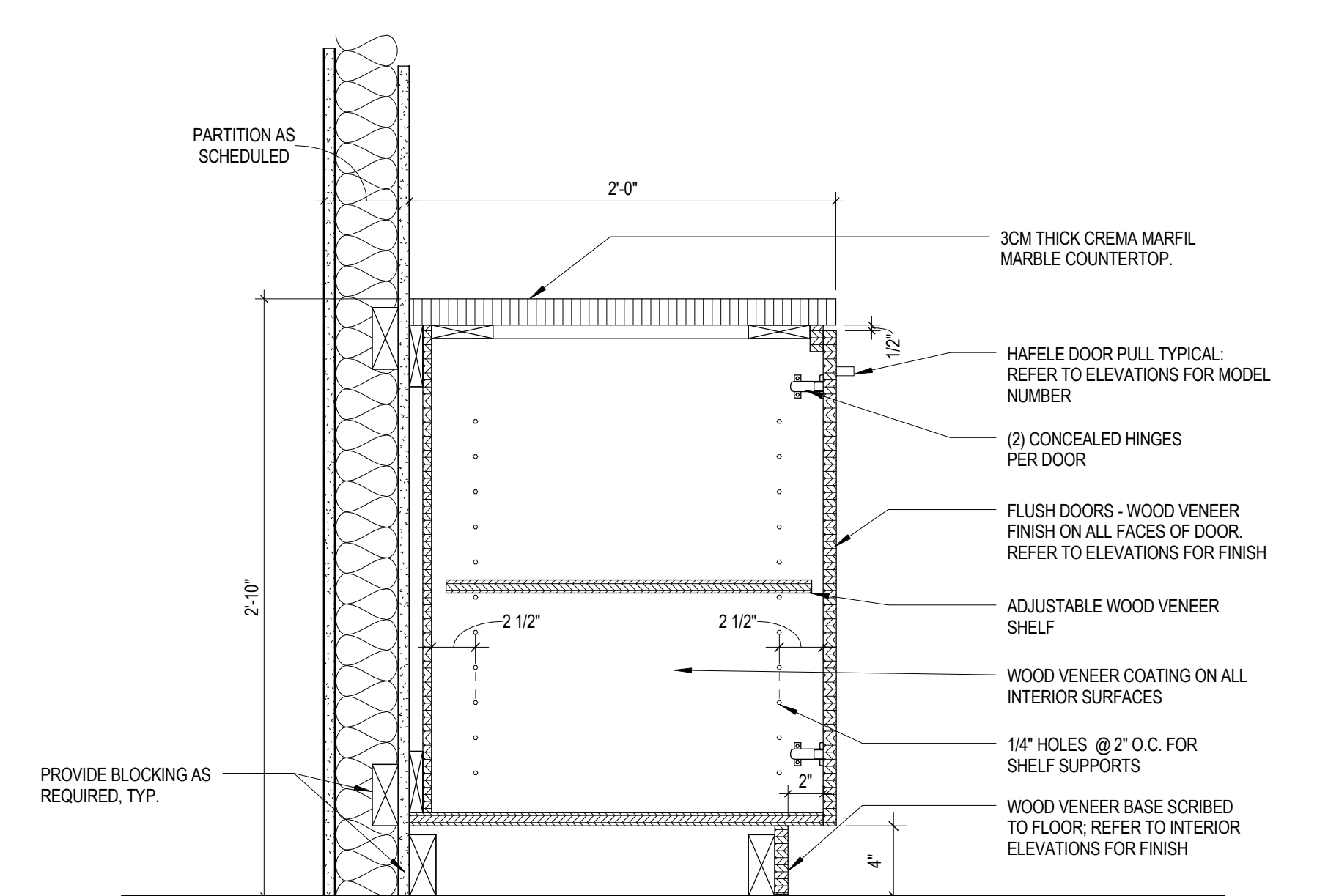
DRAWING NO.

**A8.02**

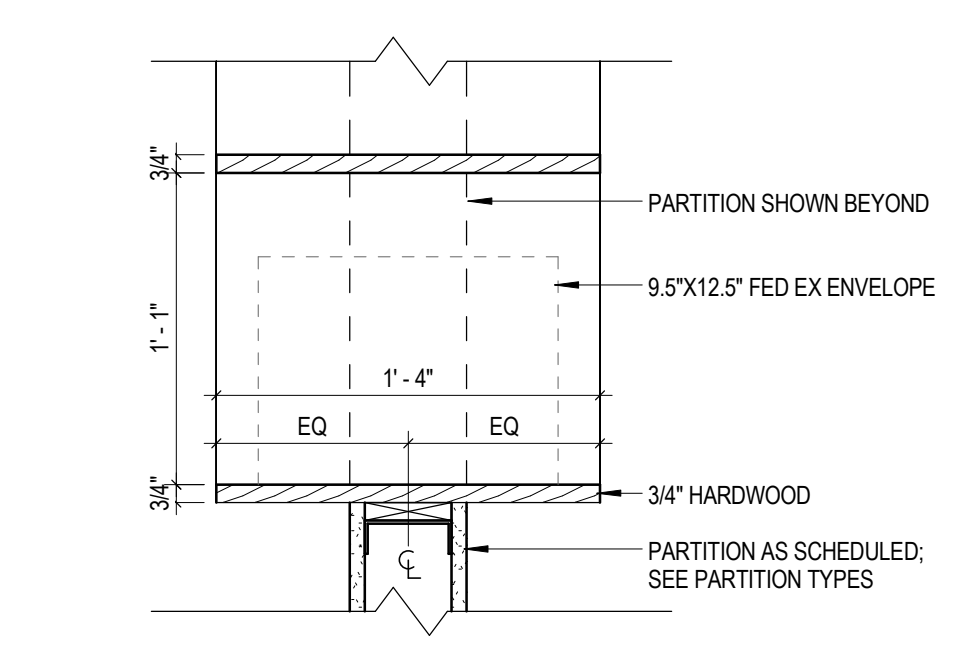
ISSUED FOR CONSTRUCTION



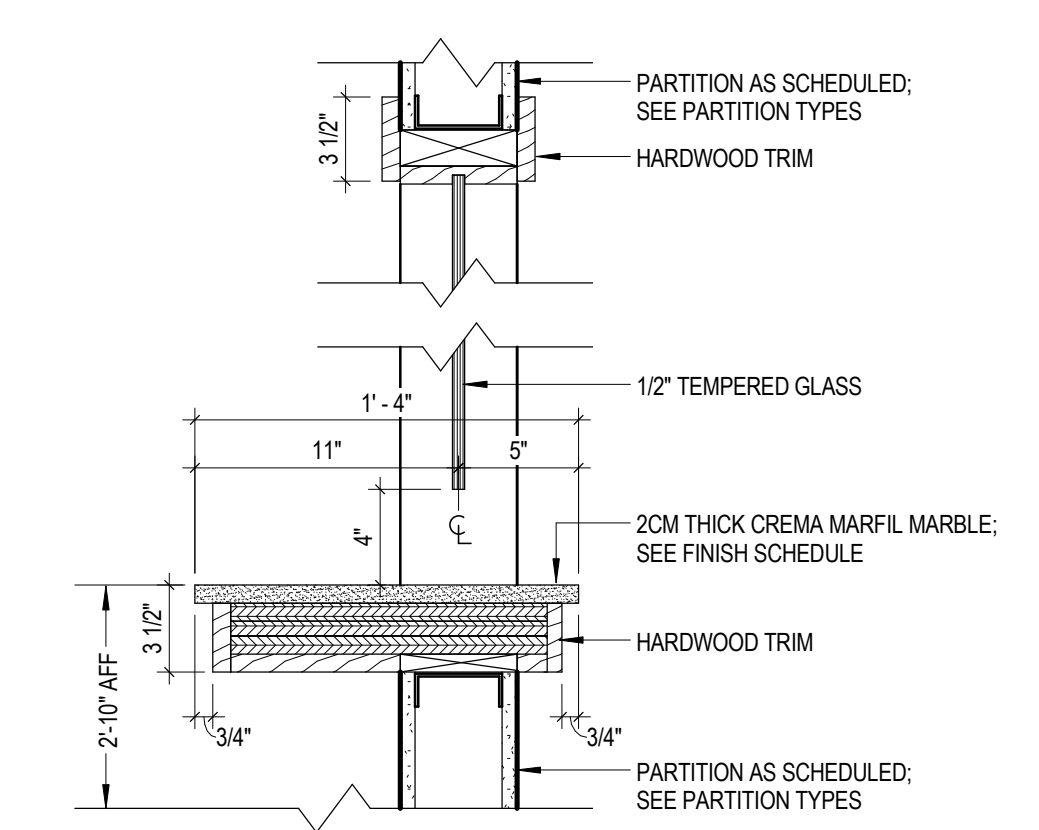
2 MICROWAVE  
1 1/2" = 1'-0"



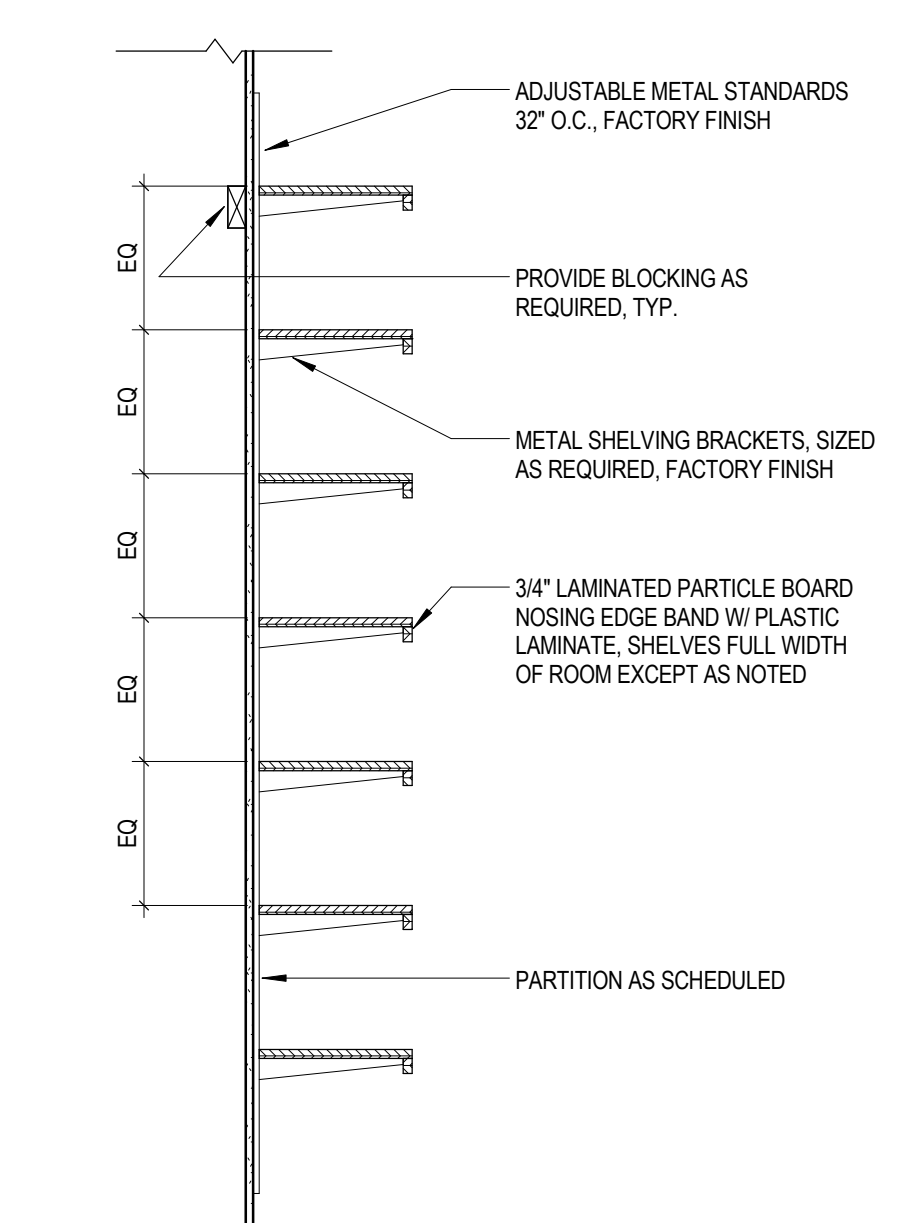
1 CUSTOM CREDENZA  
1 1/2" = 1'-0"



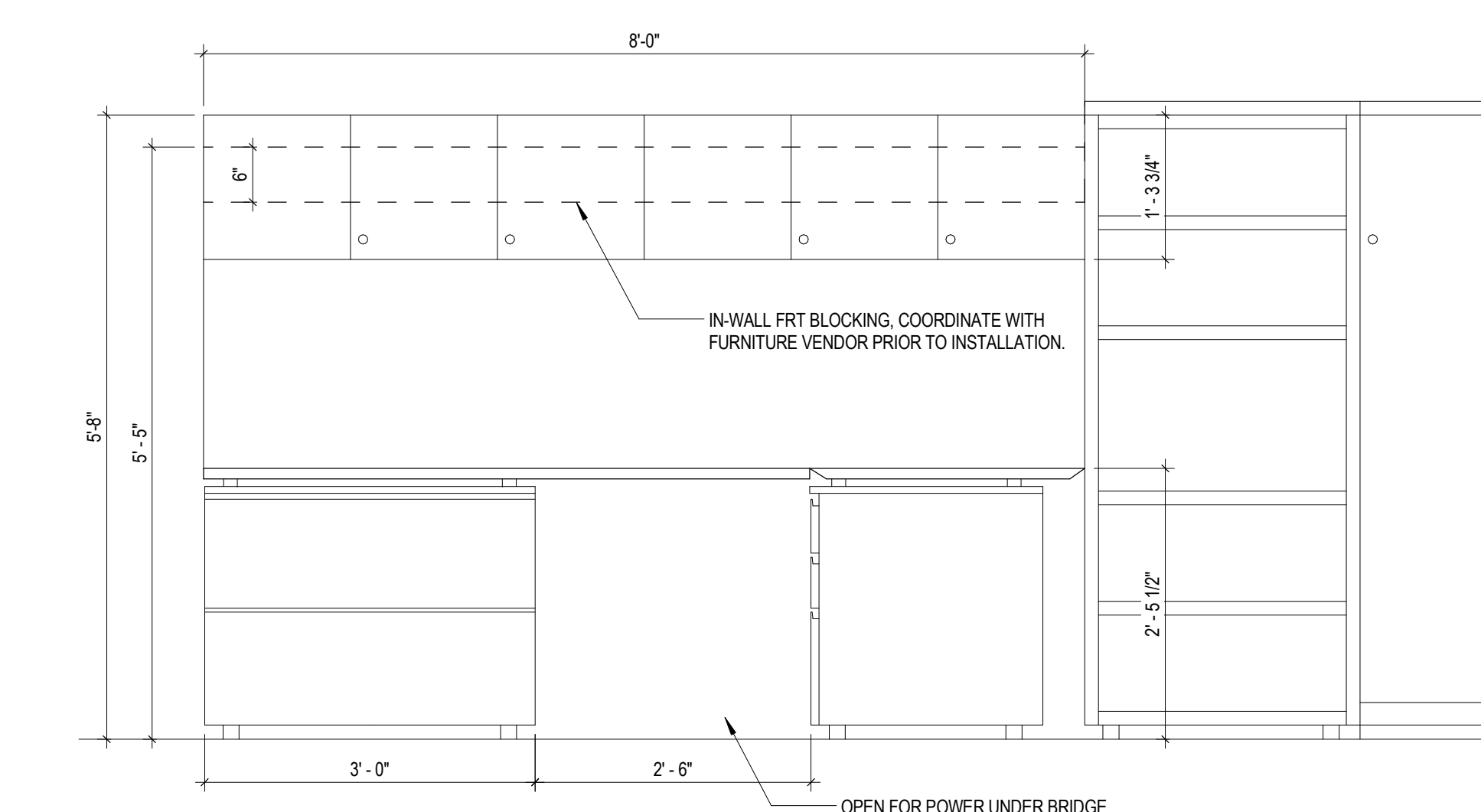
5 MAIL SLOT DETAIL  
1 1/2" = 1'-0"



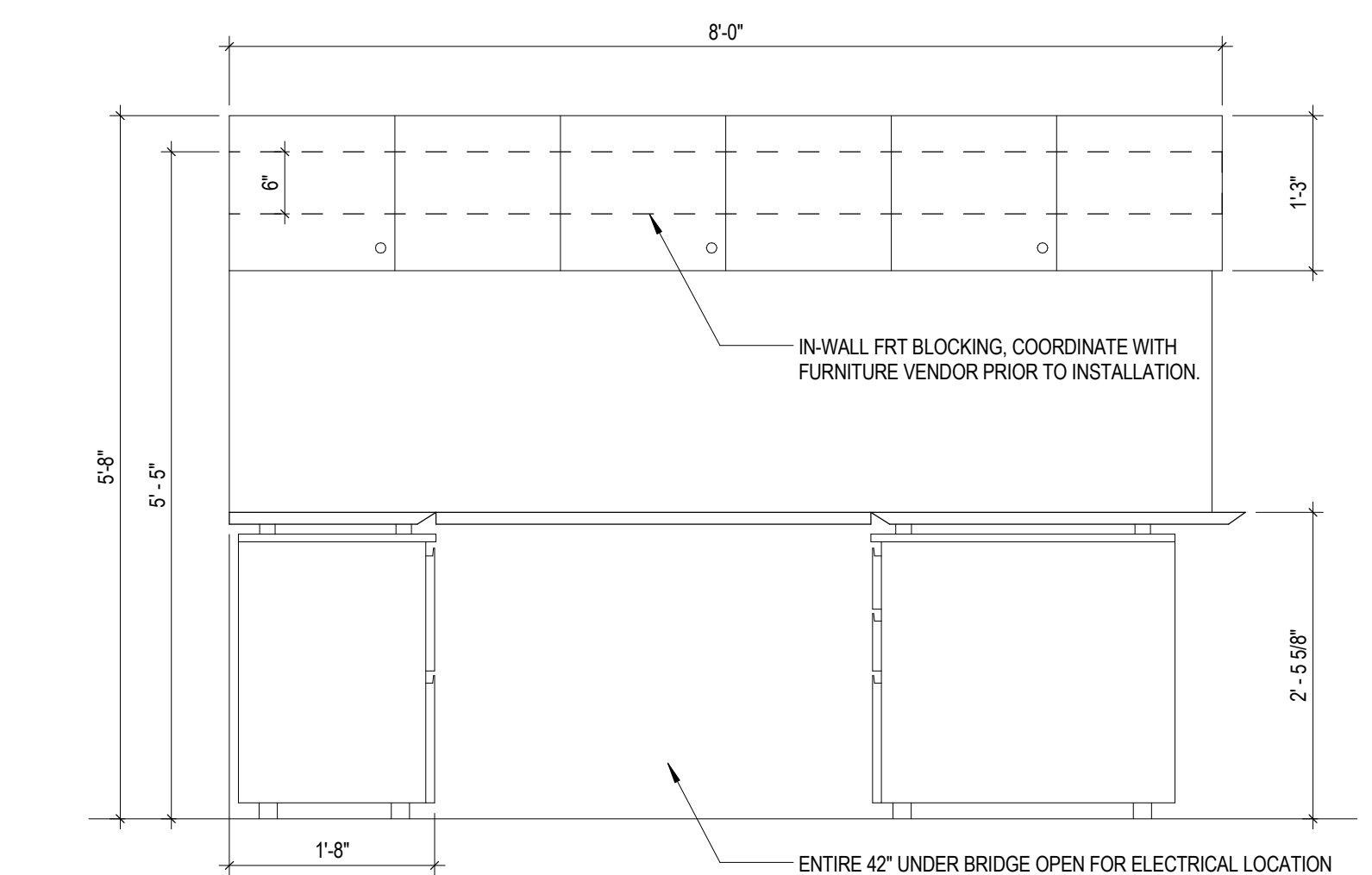
4 RECEIPT/OPS COUNTER JAMB/HEAD/SILL DETAIL  
1 1/2" = 1'-0"



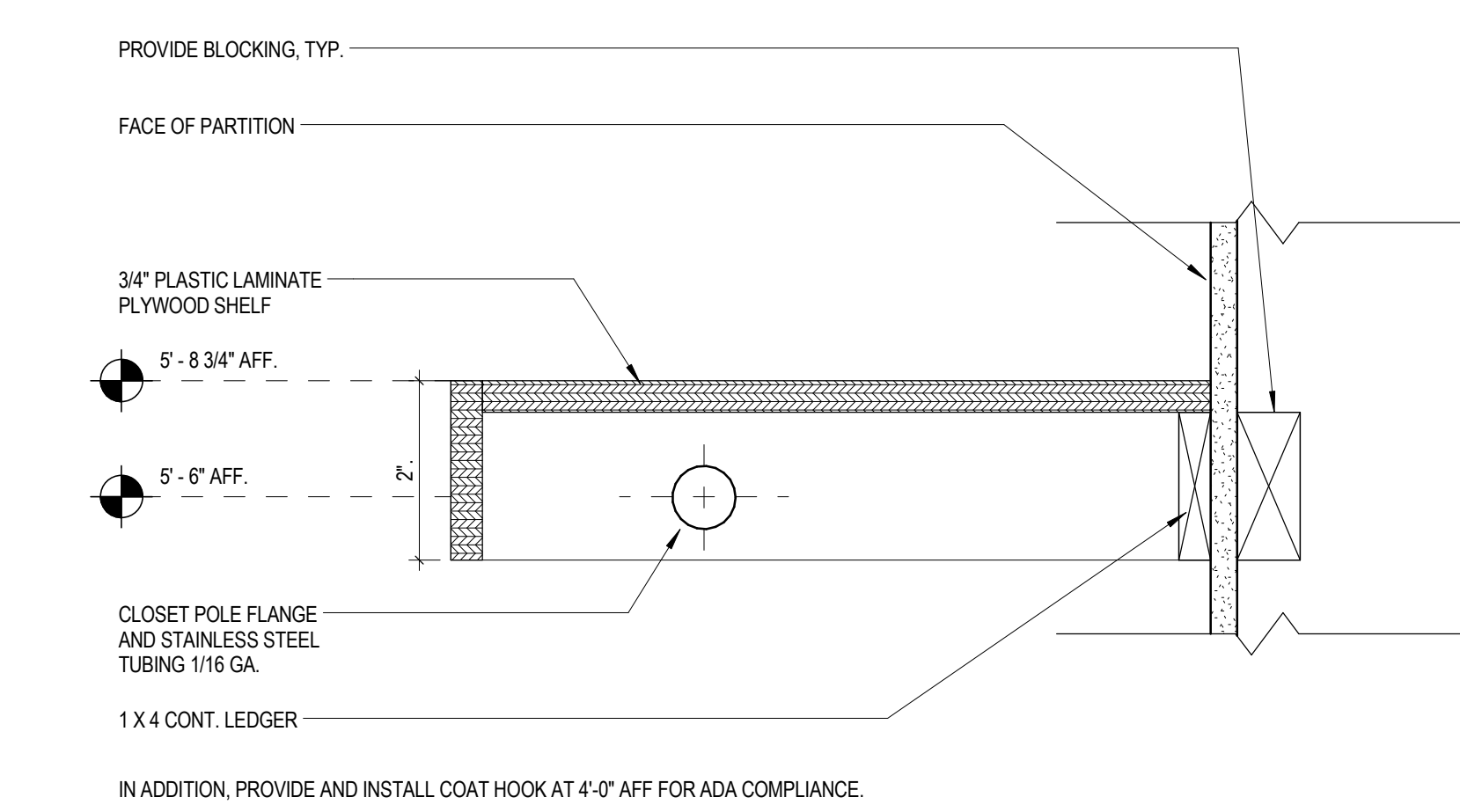
3 TYP. SECTION - ADJUSTABLE SHELVING  
3/4" = 1'-0"



8 TYPICAL FURNITURE BLOCKING DIAGRAM AT DIR 225  
3/4" = 1'-0"



7 TYPICAL FURNITURE BLOCKING DIAGRAM AT OFFICE 120 AND 180  
3/4" = 1'-0"



6 TYP. COAT CLOSET SHELF AND ROD  
3" = 1'-0"

C:\Revit\2015 Local Files\ME PORTLAND\_1 MONUMENT SQ\_09-10\_FP\_BAC\_CENTRAL\_mckinnon.rvt

DYER BROWN & ASSOCIATES, INC. ©2015 ALL RIGHTS RESERVED - PLOTTED: 5/11/2015 2:46:02 PM