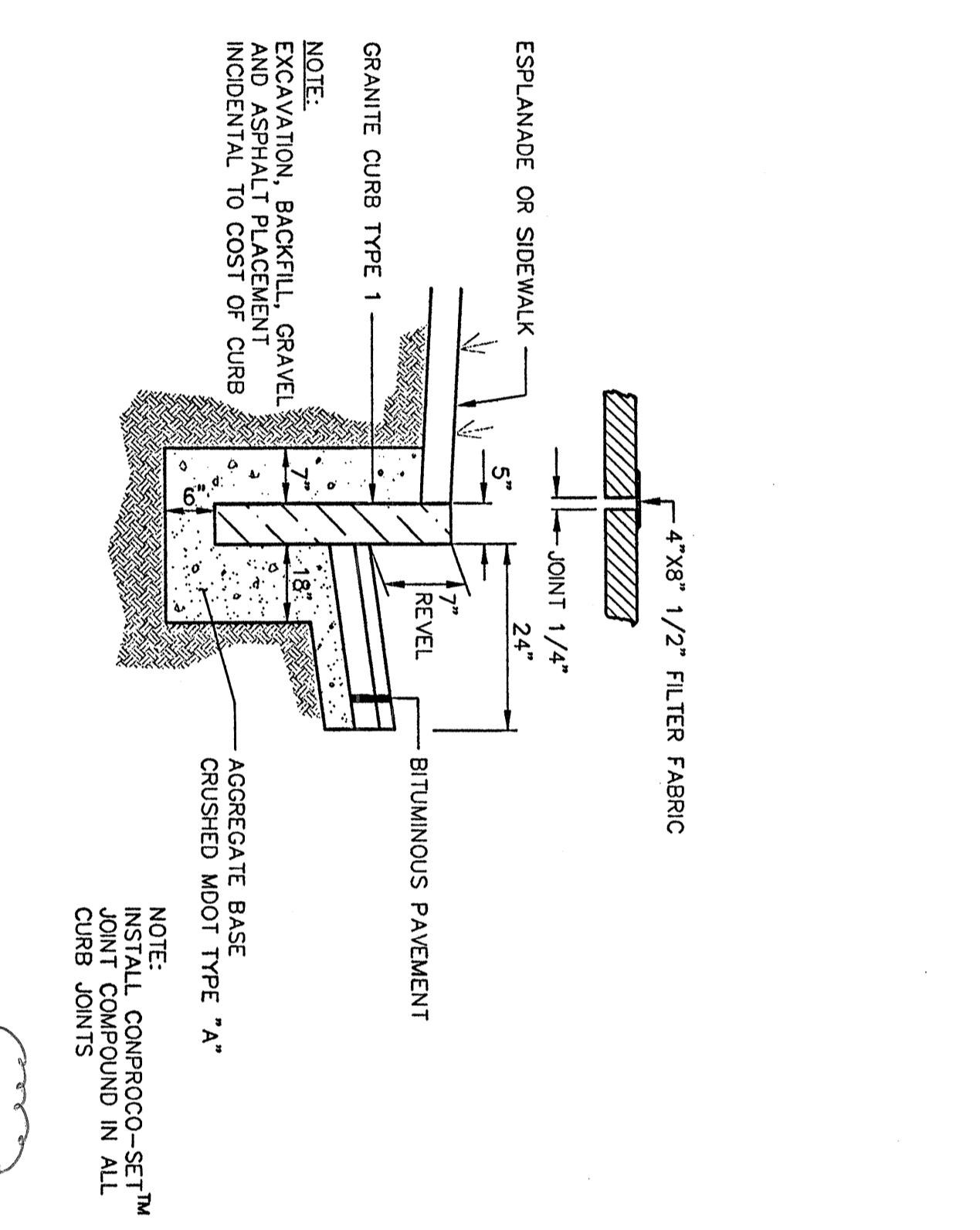
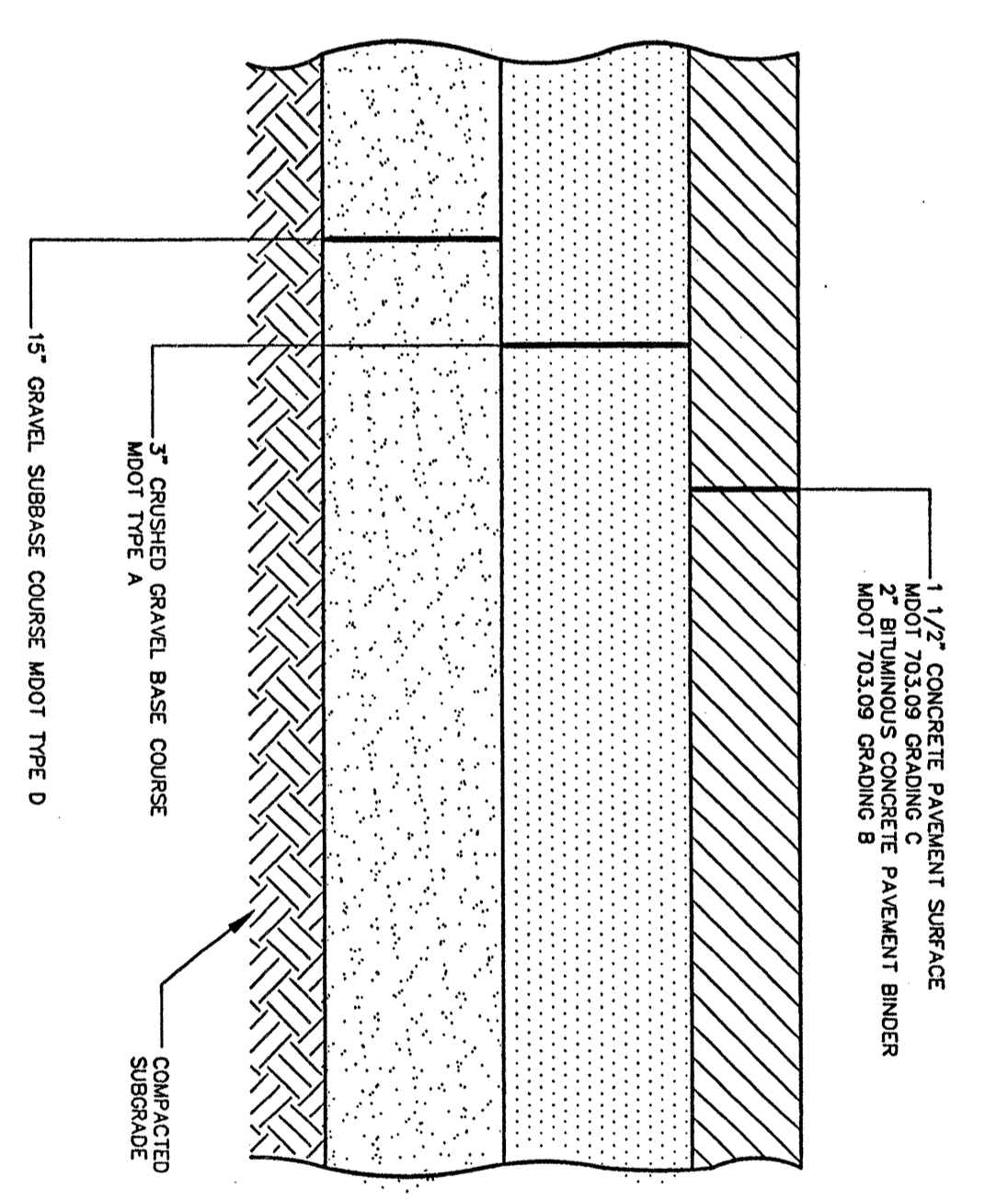


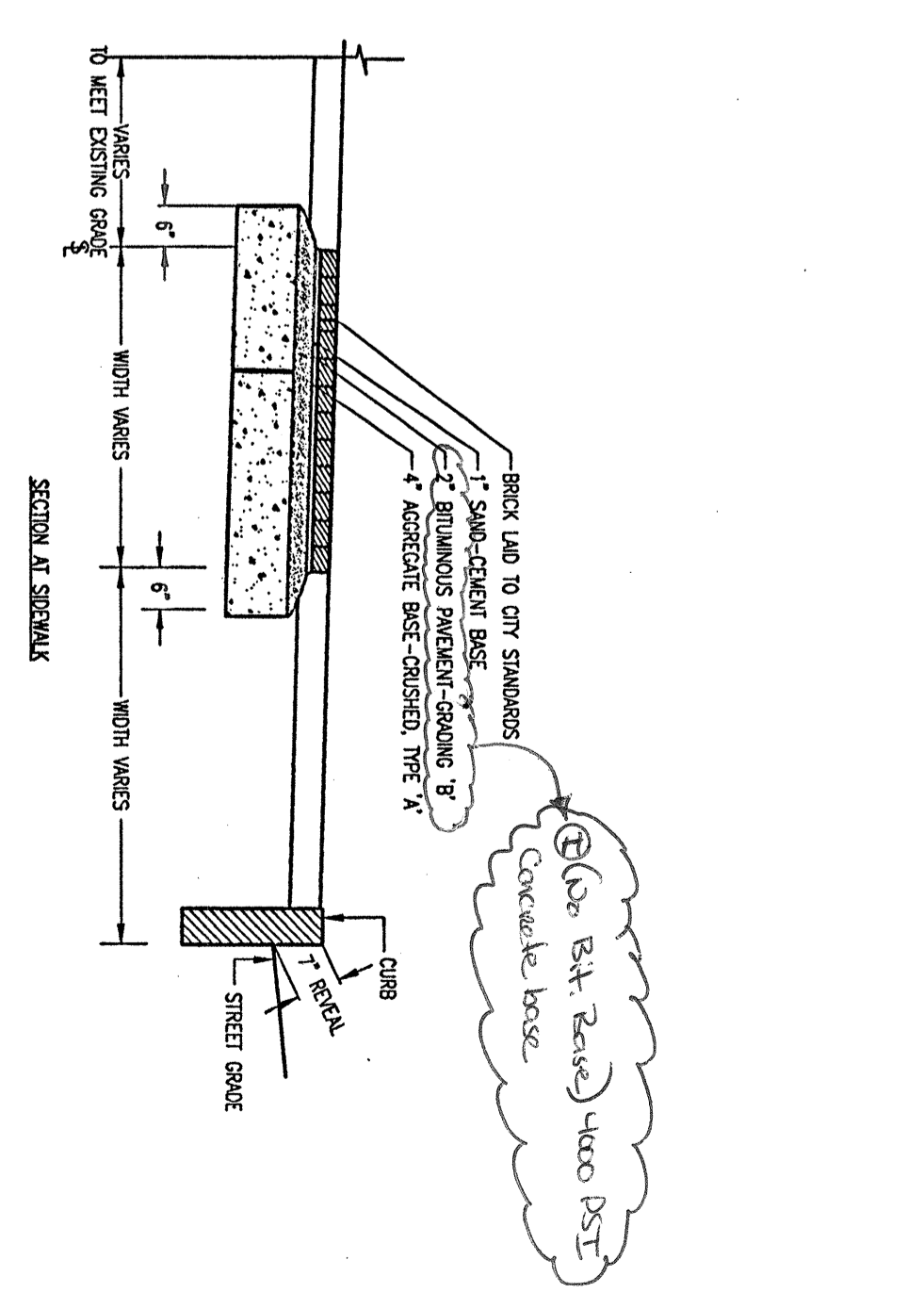
GUARD POST DETAIL
N.T.S.



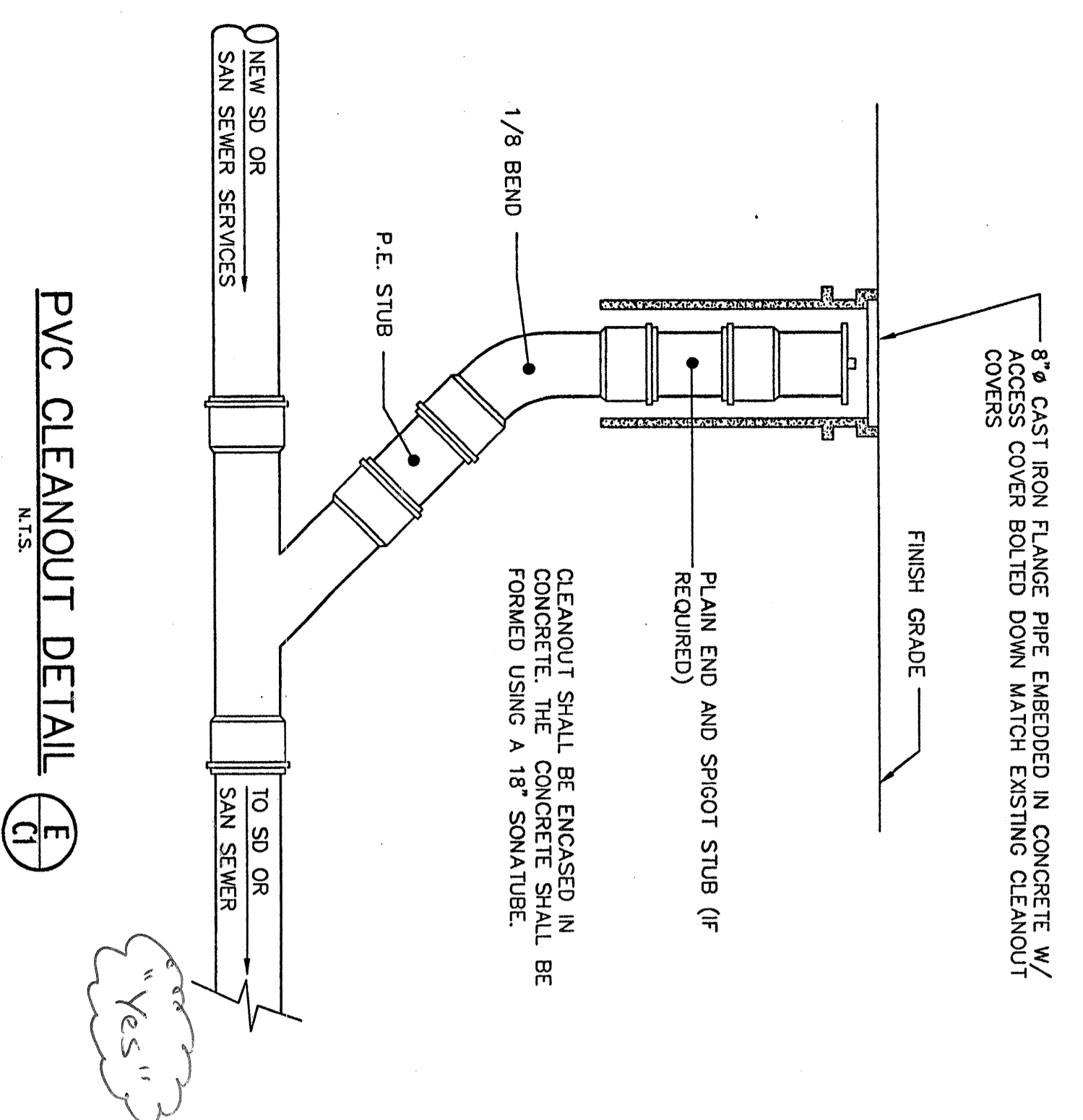
GRANITE CURB DETAIL
N.T.S.



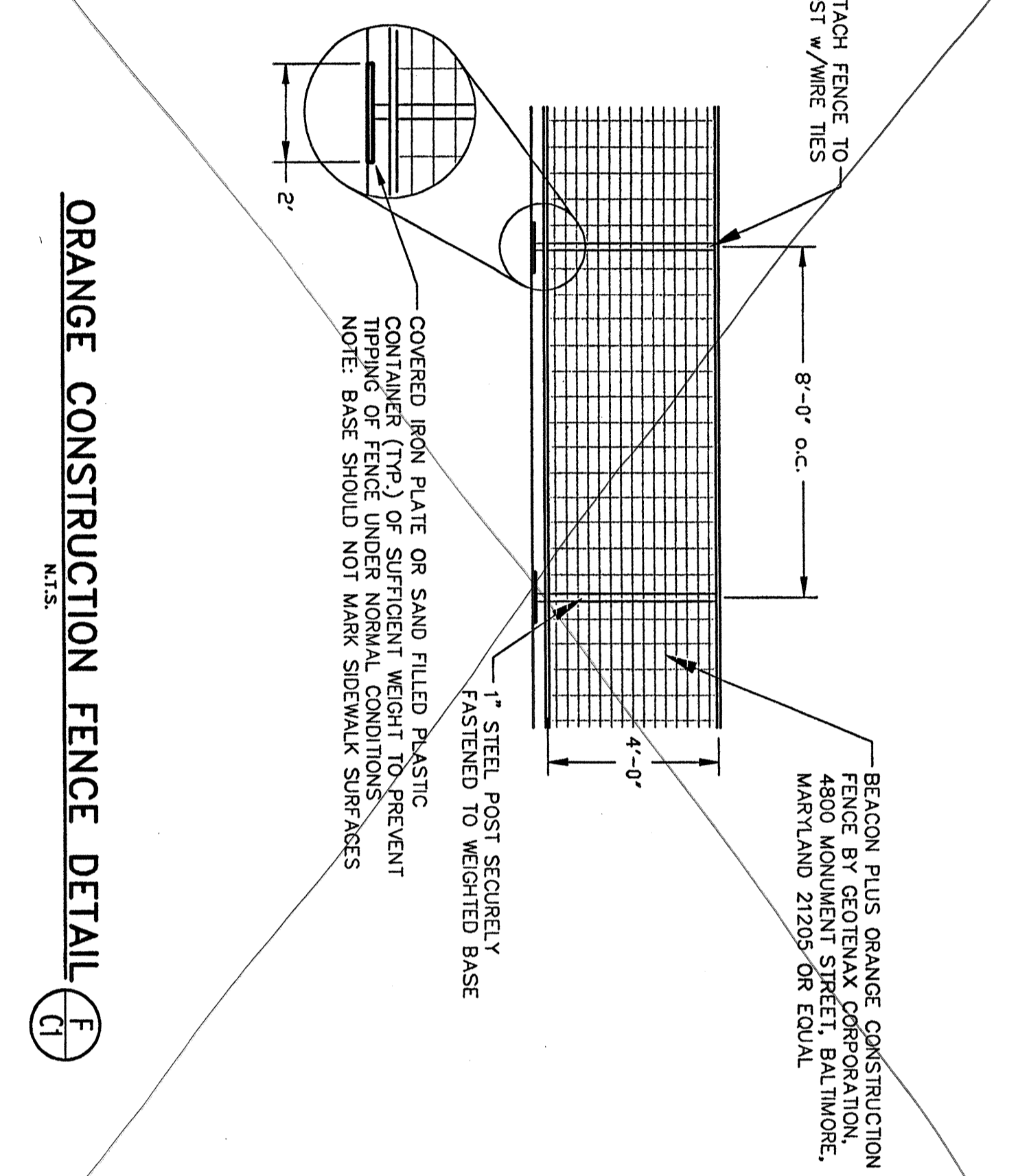
PAVEMENT SECTION DETAIL
N.T.S.



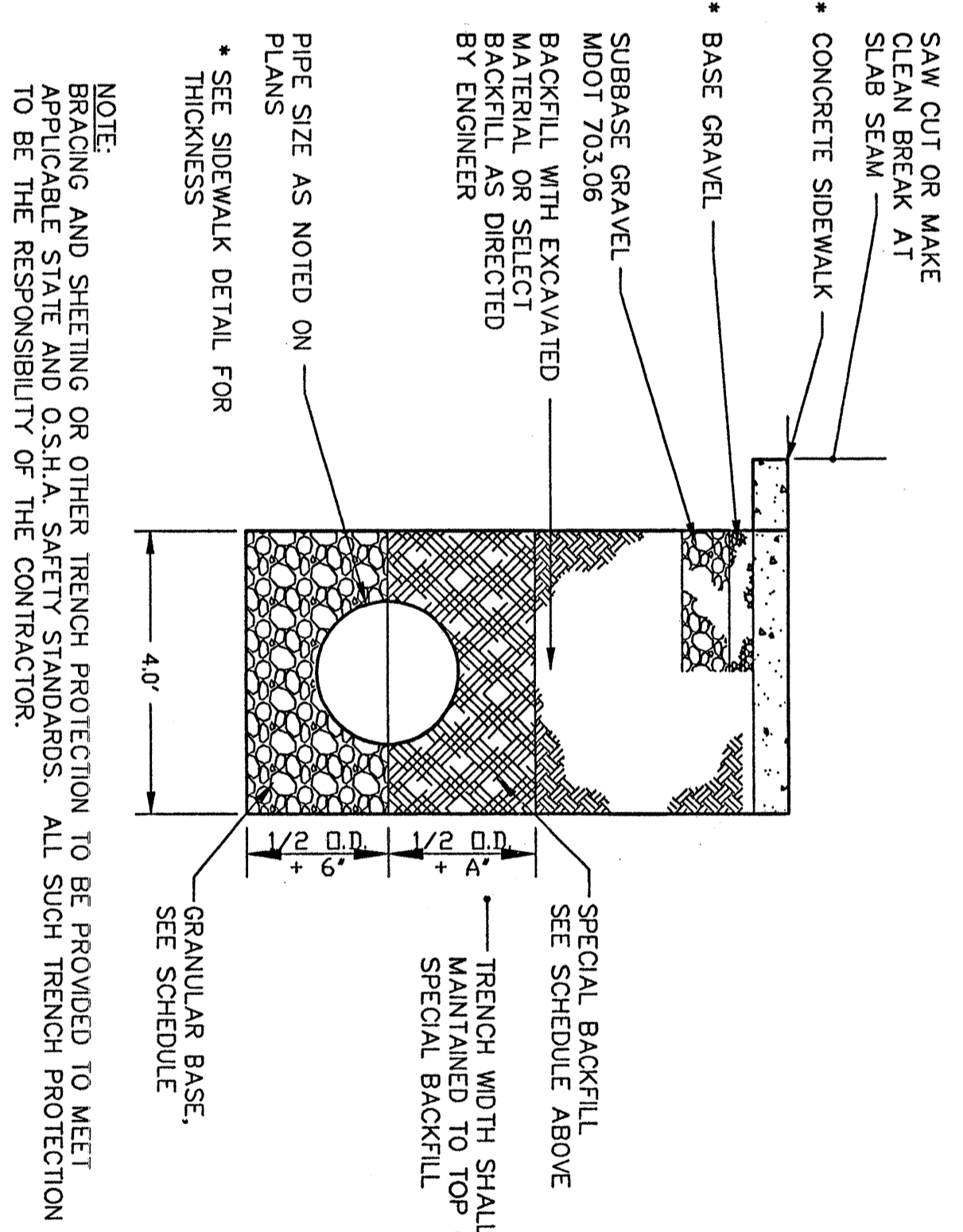
**BRICK AND BITUMINOUS BASE
SIDEWALK AND DRIVEWAY CONSTRUCTION**
N.T.S.



PVC CLEANOUT DETAIL
N.T.S.

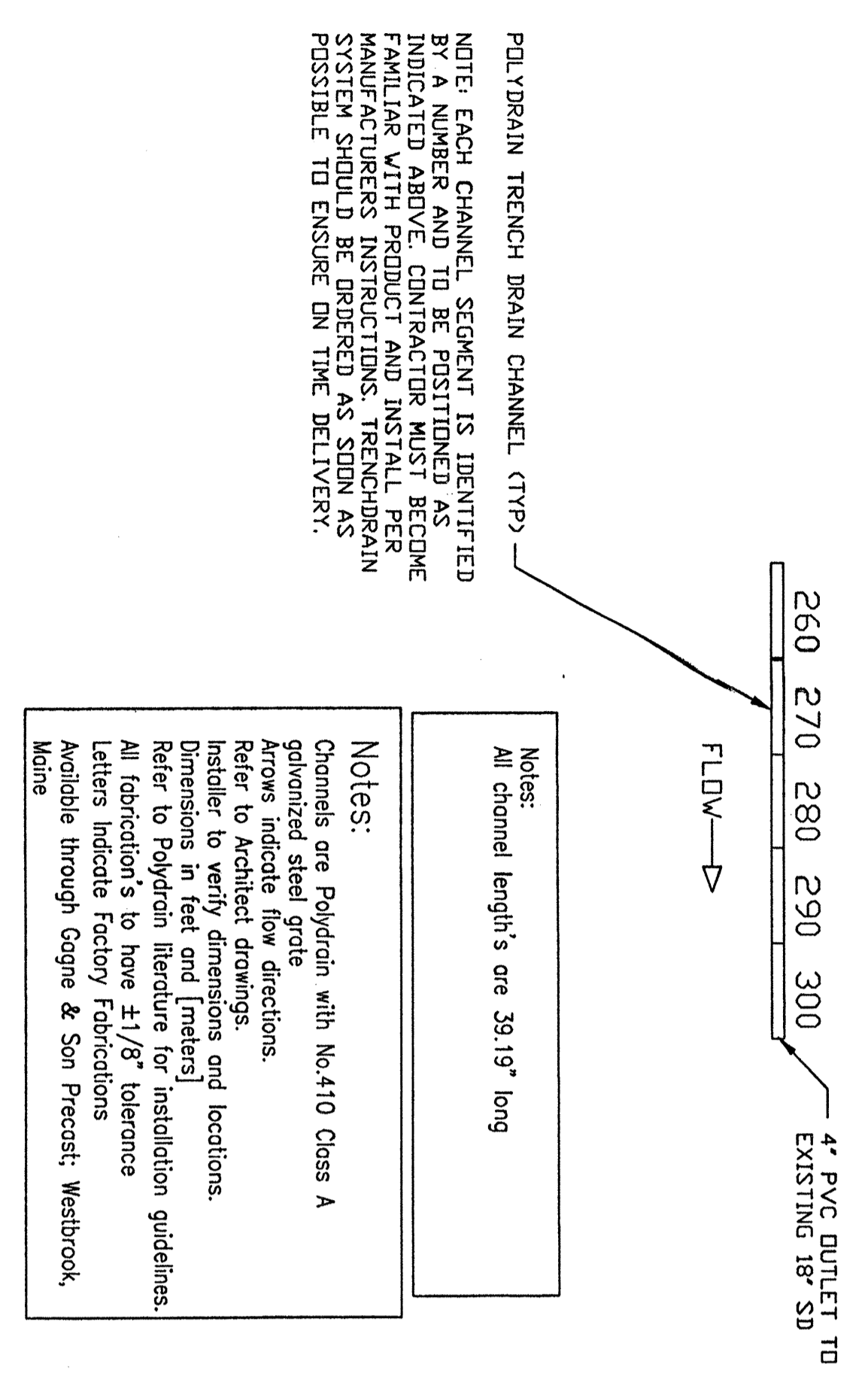
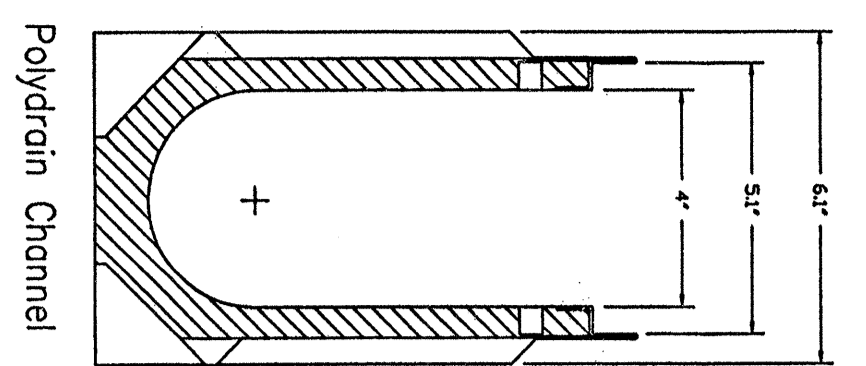


ORANGE CONSTRUCTION FENCE DETAIL
N.T.S.



TYPICAL STORM DRAIN TRENCH SECTION
N.T.S.

SCHEDULE OF BASE BACKFILL			
TYPE OF PIPE	BEDDING MATERIAL	SPECIAL BACKFILL	SELECT BACKFILL
PVC	3/4" CRUSHED STONE	GRANULAR AASHTO M145-49 A-3 OR BETTER	GRANULAR AASHTO M145-49 A-3 OR BETTER



POLYDRAIN DRAIN SLOPE DETAIL
SCALE: 1"=20"

NOTES:
All channel lengths are 39.19" long

Notes:
Channels are Polydrain with No.410 Class A galvanized steel grate

Arrows indicate flow directions. Refer to Architect drawings, dimensions in feet and fractions. Refer to Polydrain literature for installation guidelines. All notations to show 1/8" tolerance. Letters indicate Factory Fabrications Available through Gagne & Son Precast, Westbrook, Maine

"Yes"