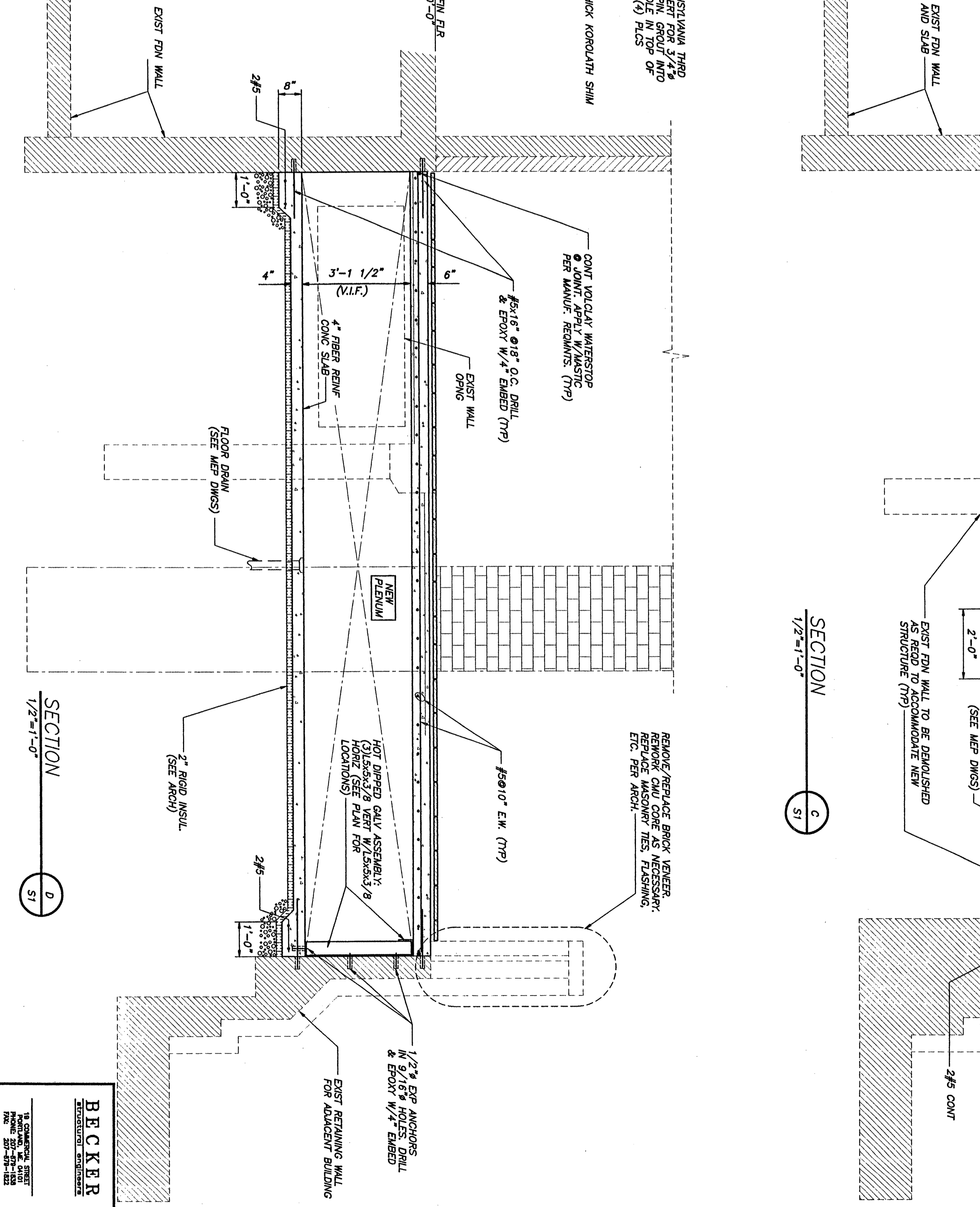
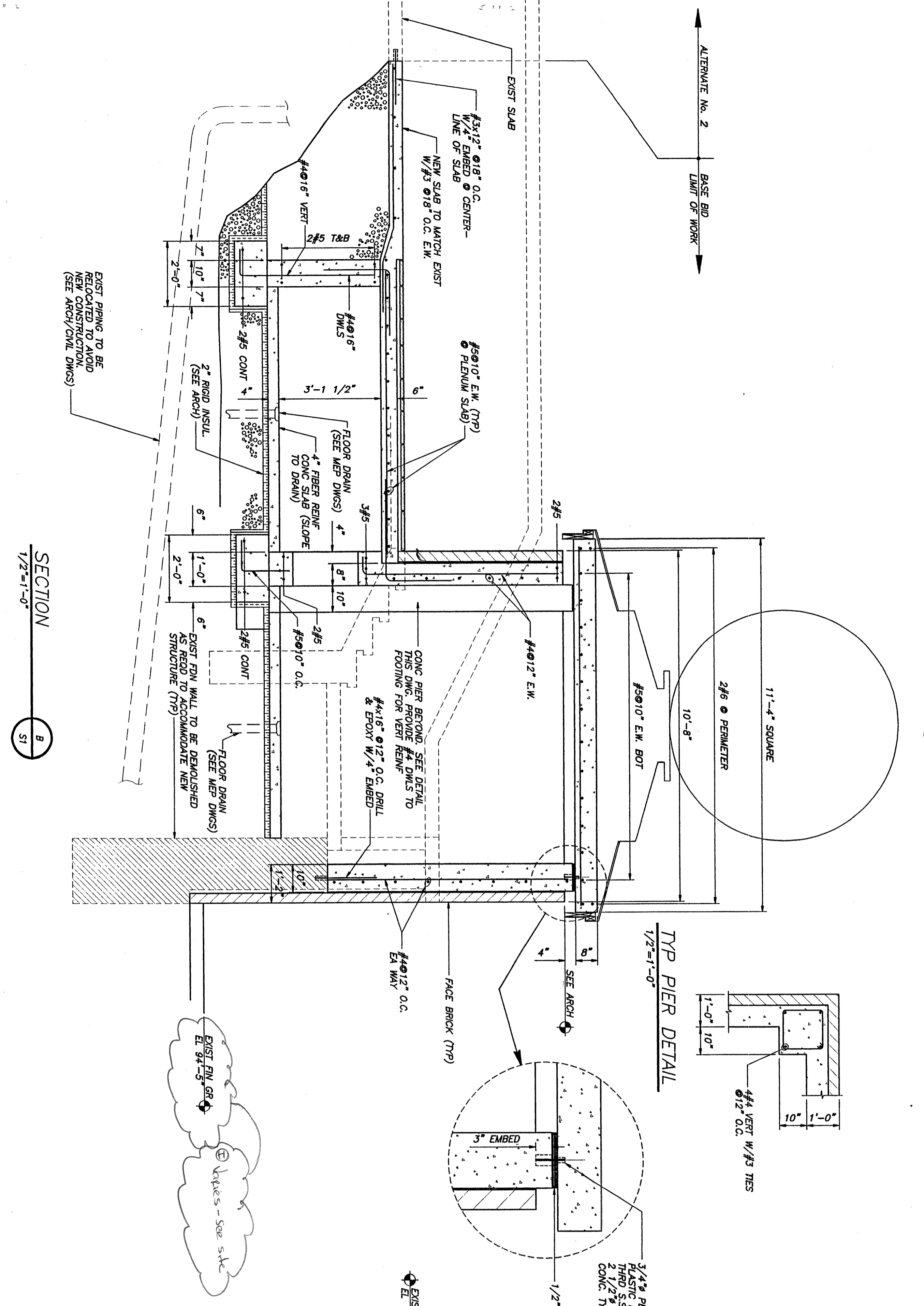
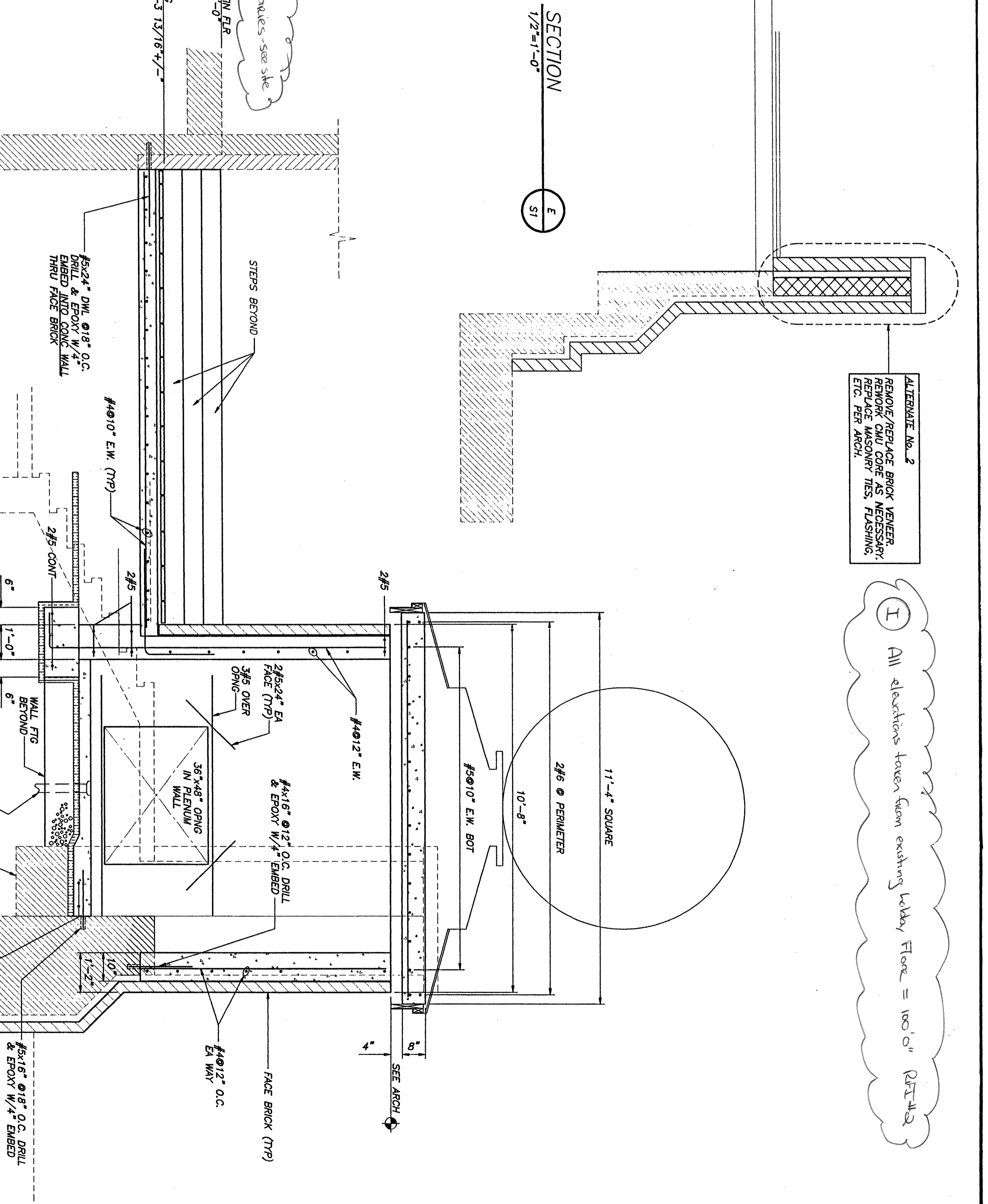
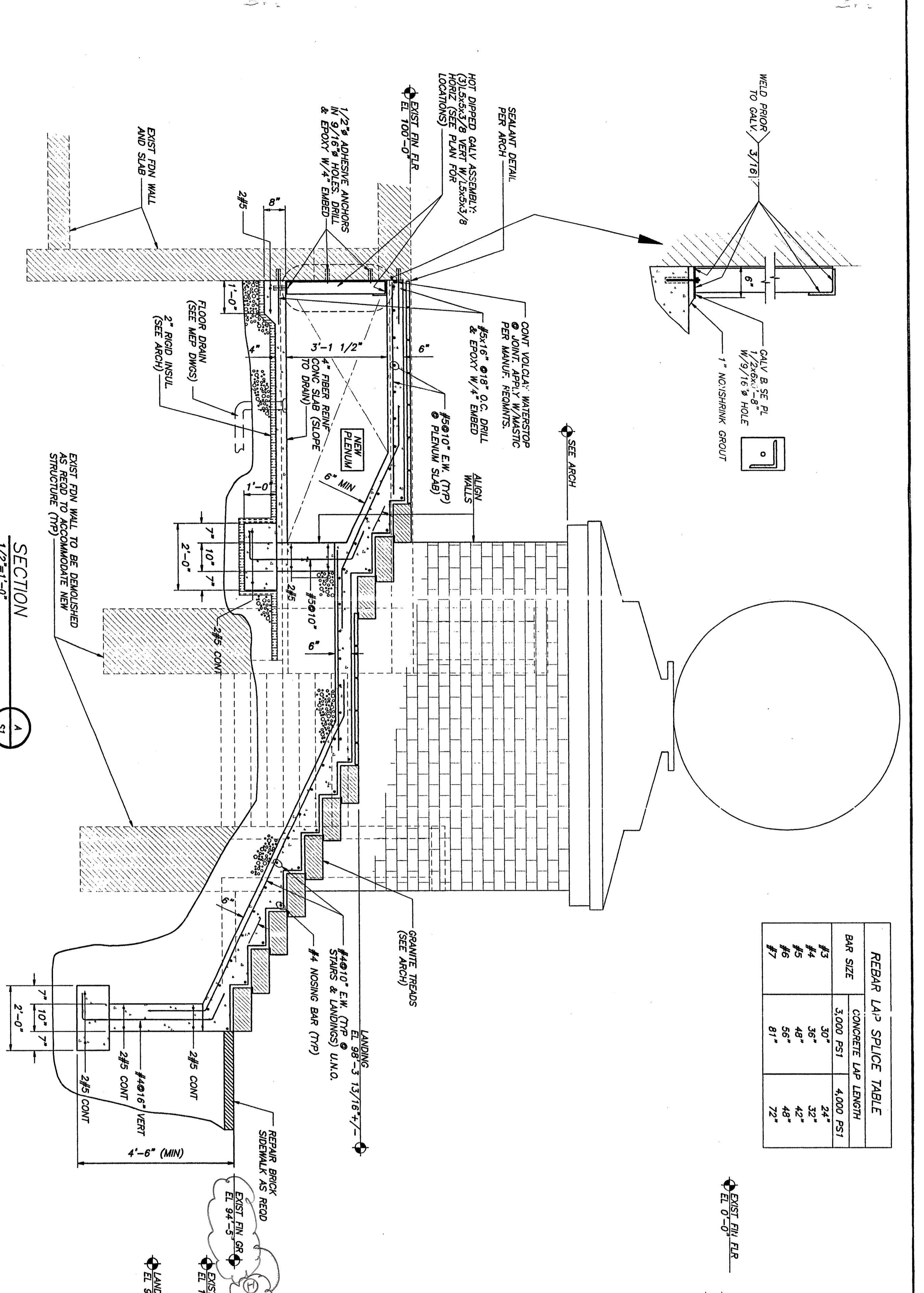
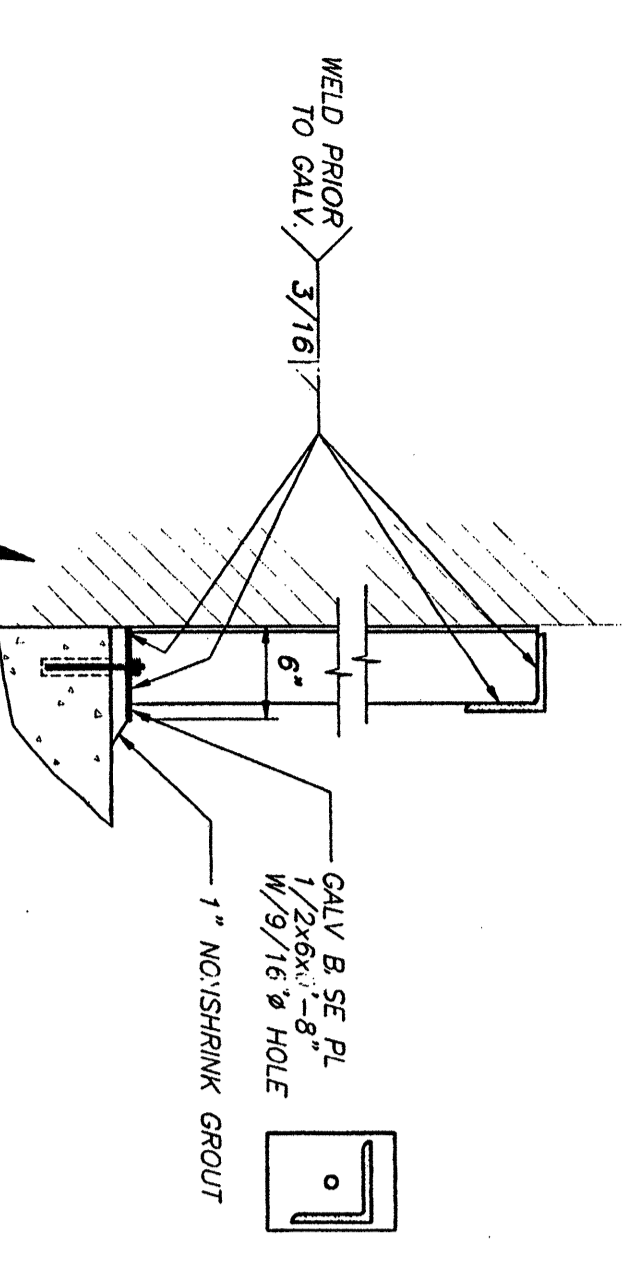


REBAR LAP SPlice TABLE			
BAR SIZE	CONCRETE LAP LENGTH	4000 PSI	4000 PSI
#3	30D	35"	35"
#4	35D	42"	42"
#5	40D	48"	48"
#6	50D	58"	58"
#7	60D	72"	72"



ALTERNATE No. 2
REMOVE/REPLACE BRICK VENEER,
REPAIR AND CORE AS NECESSARY,
ETC. PER ARCH. DES. 12.5.2010

I All alterations taken from existing lobby Floor = 100' 0\"/>