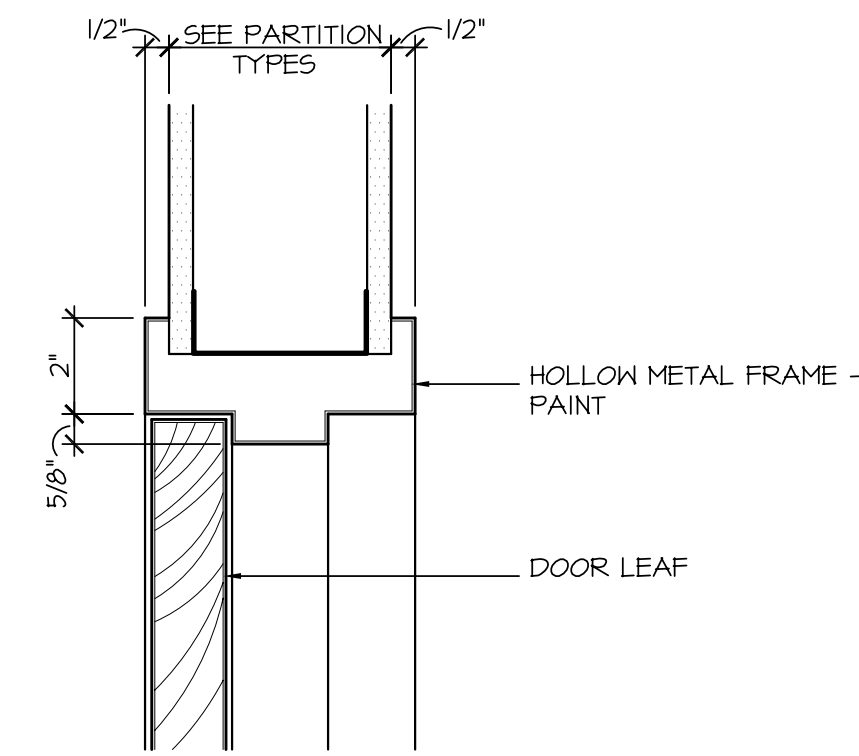
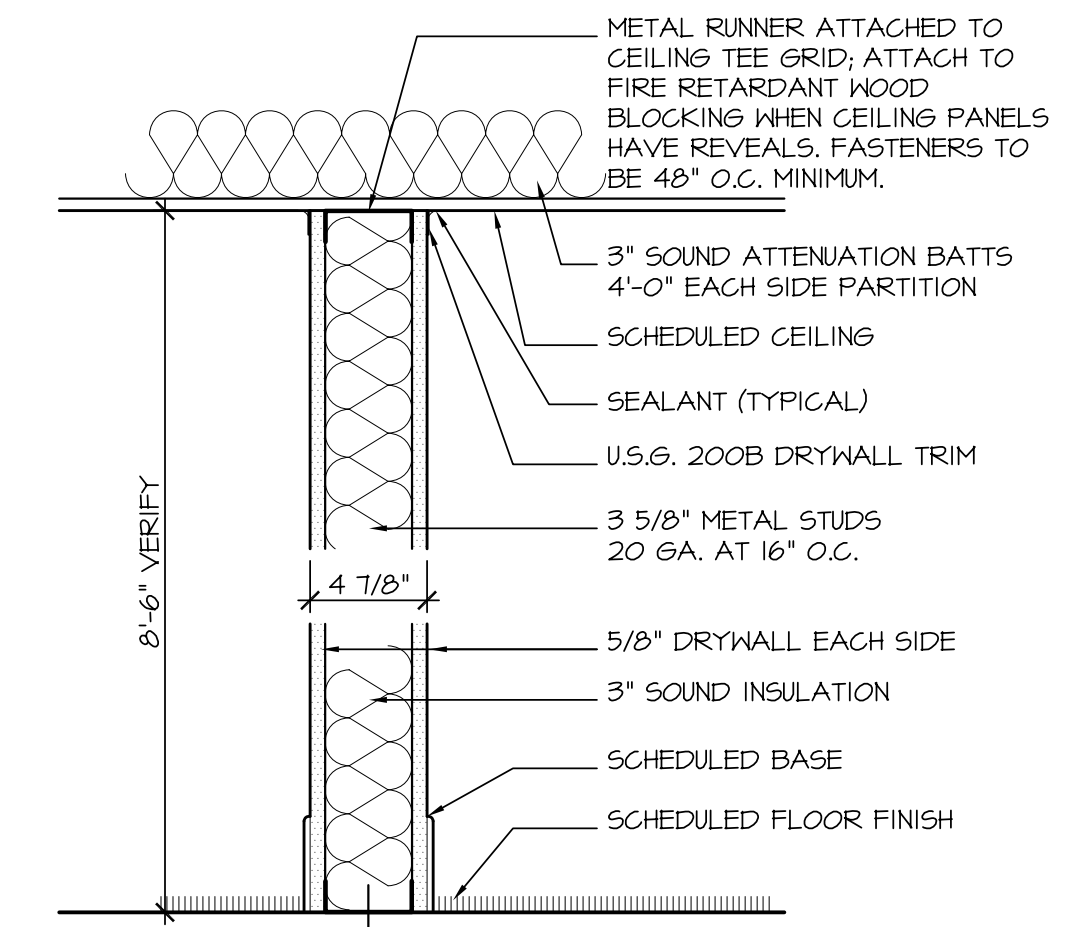


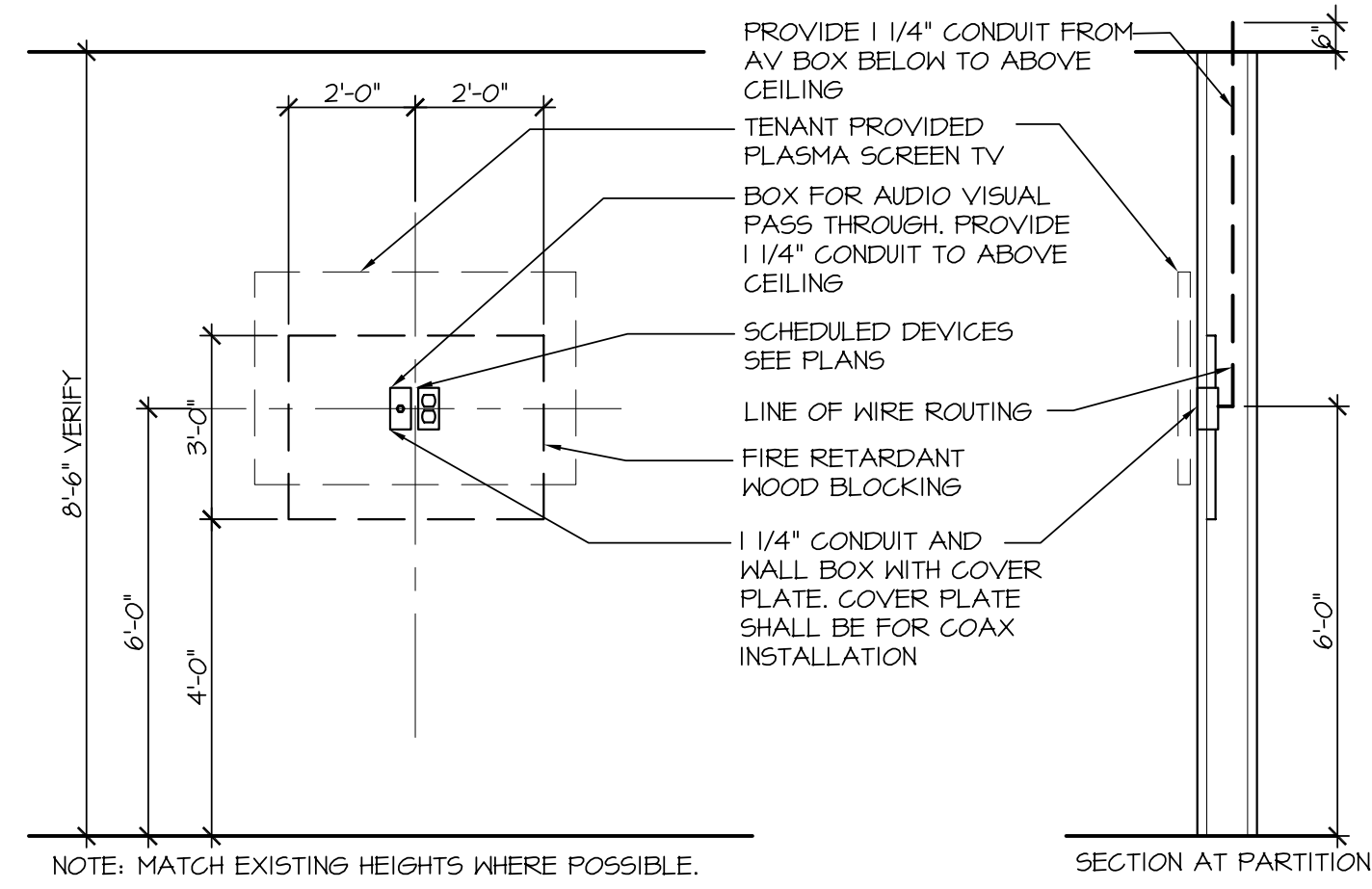
9 FLOORING TRANSITION DETAIL
SCALE: FULL SCALE



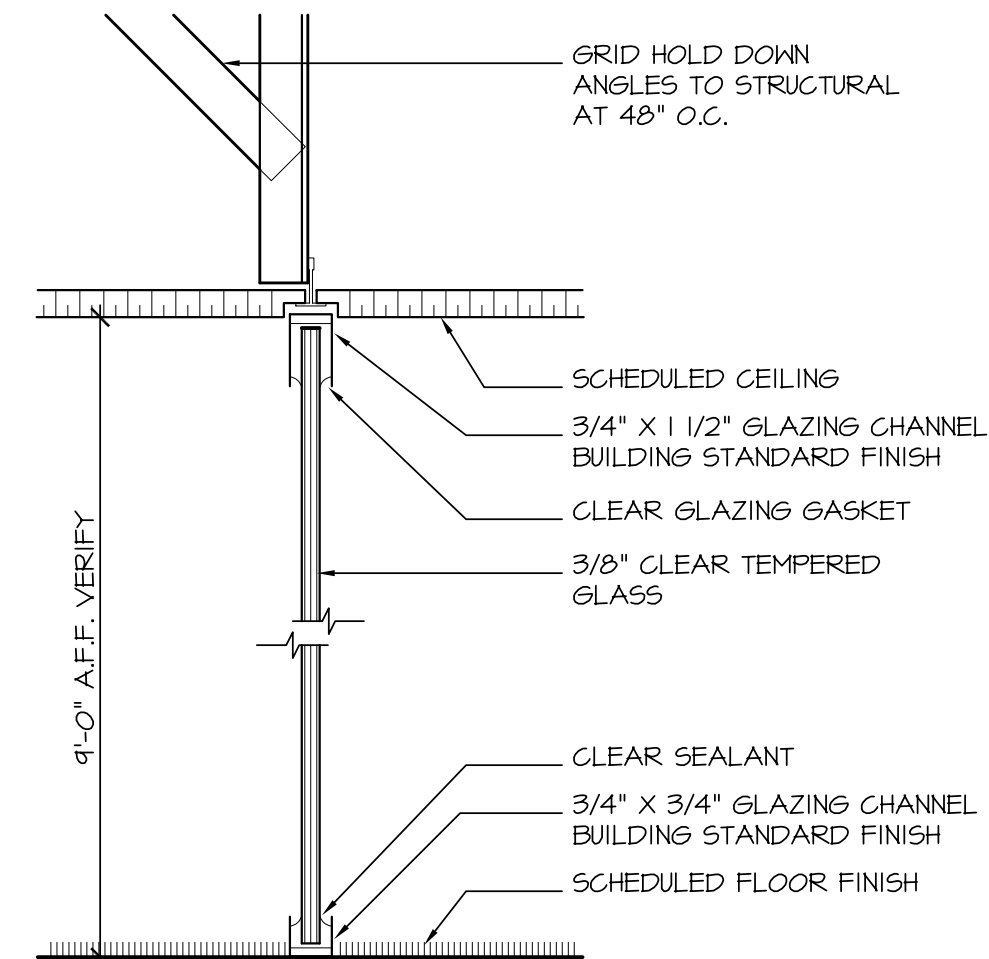
6 HOLLOW METAL JAMB DETAIL
SCALE: 3" : 1'-0"



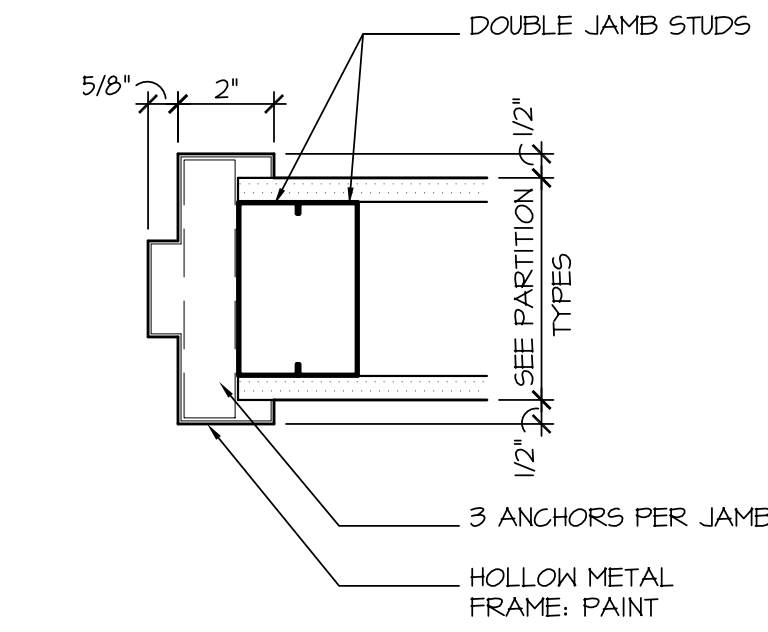
P1 PARTITION TYPE
SCALE: 1 1/2" : 1'-0"



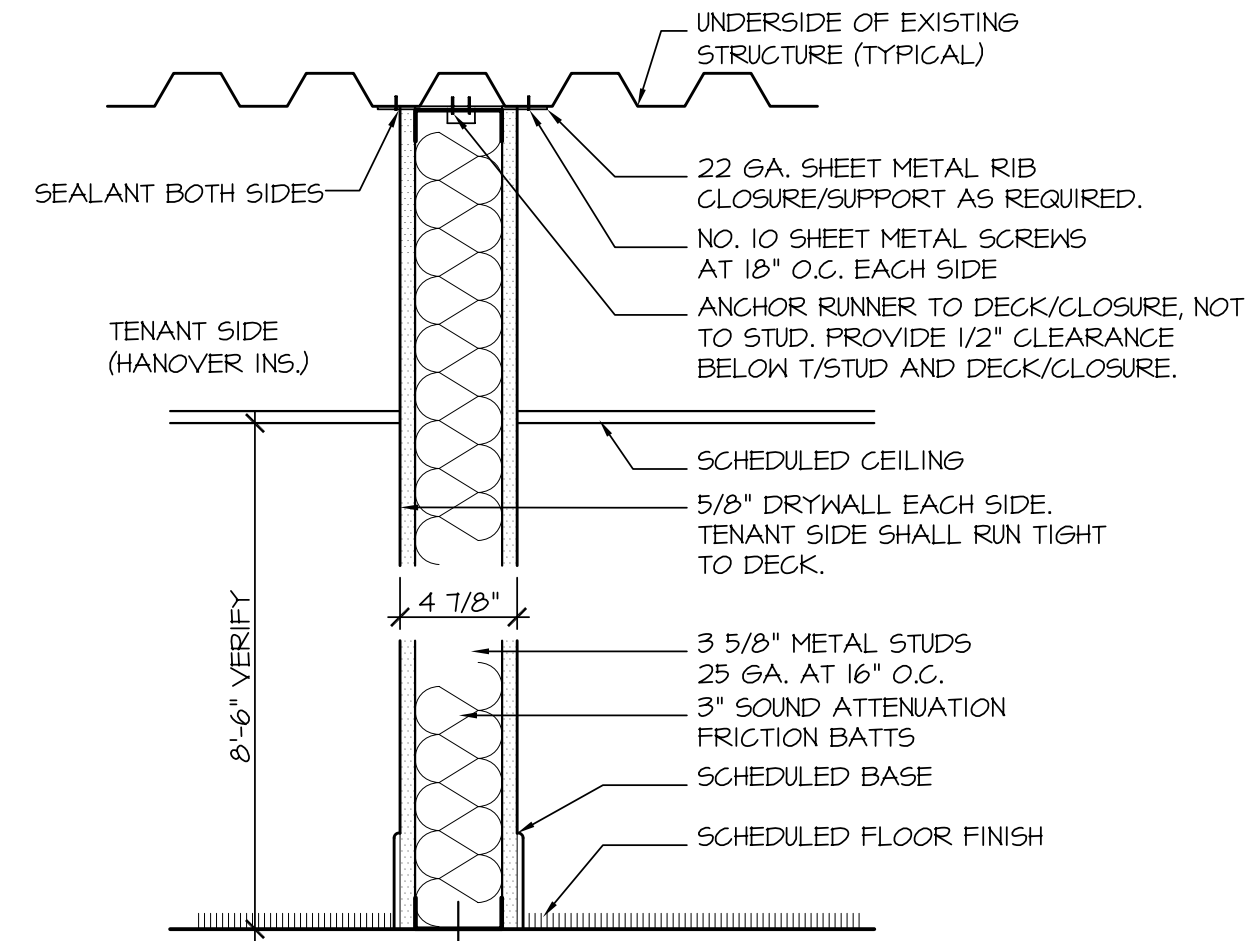
14 AV CABLE WIRE ROUTING DIAGRAM
SCALE: NOT TO SCALE



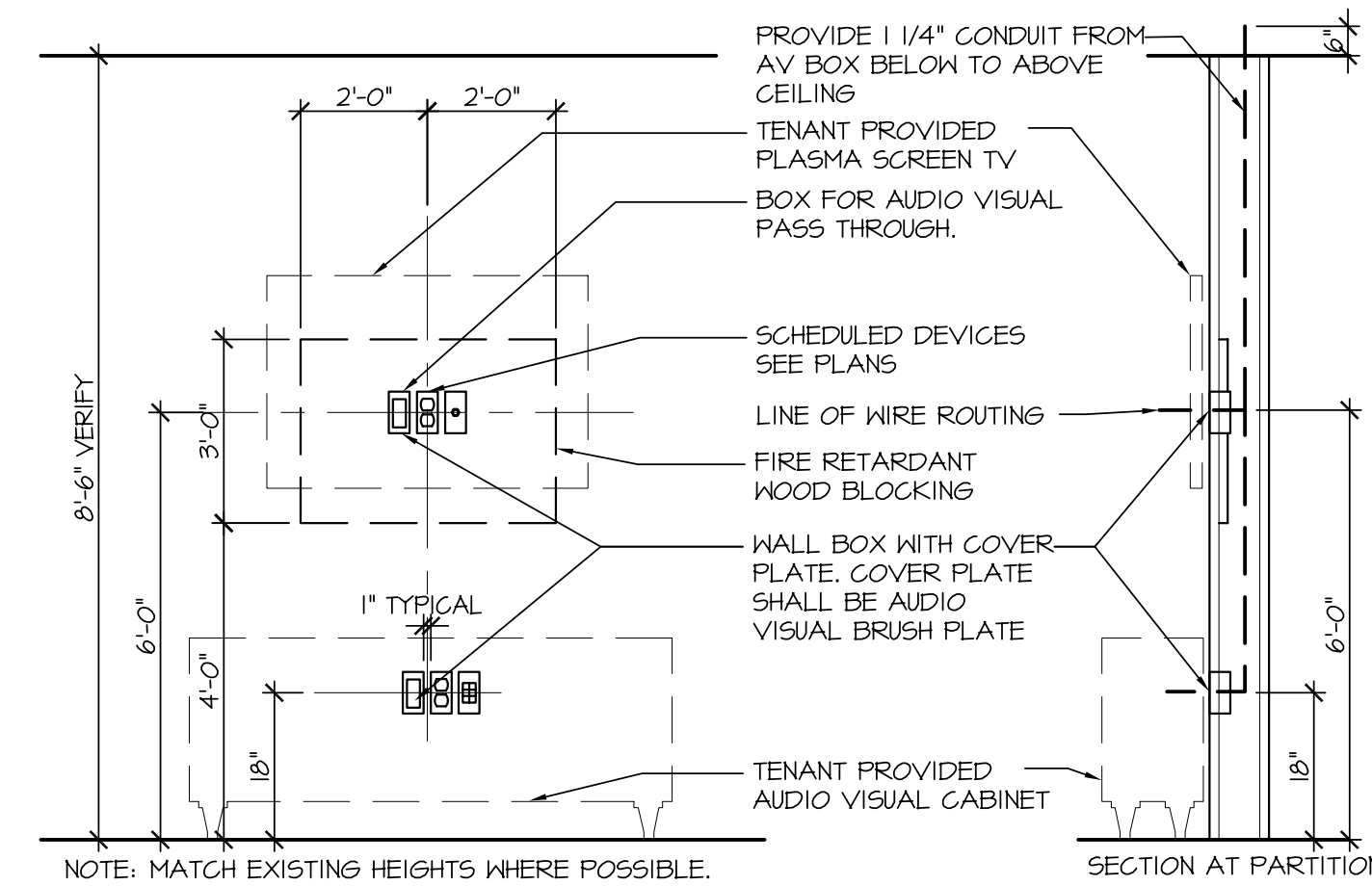
10 GLASS SECTION DETAIL
SCALE: 3" : 1'-0"



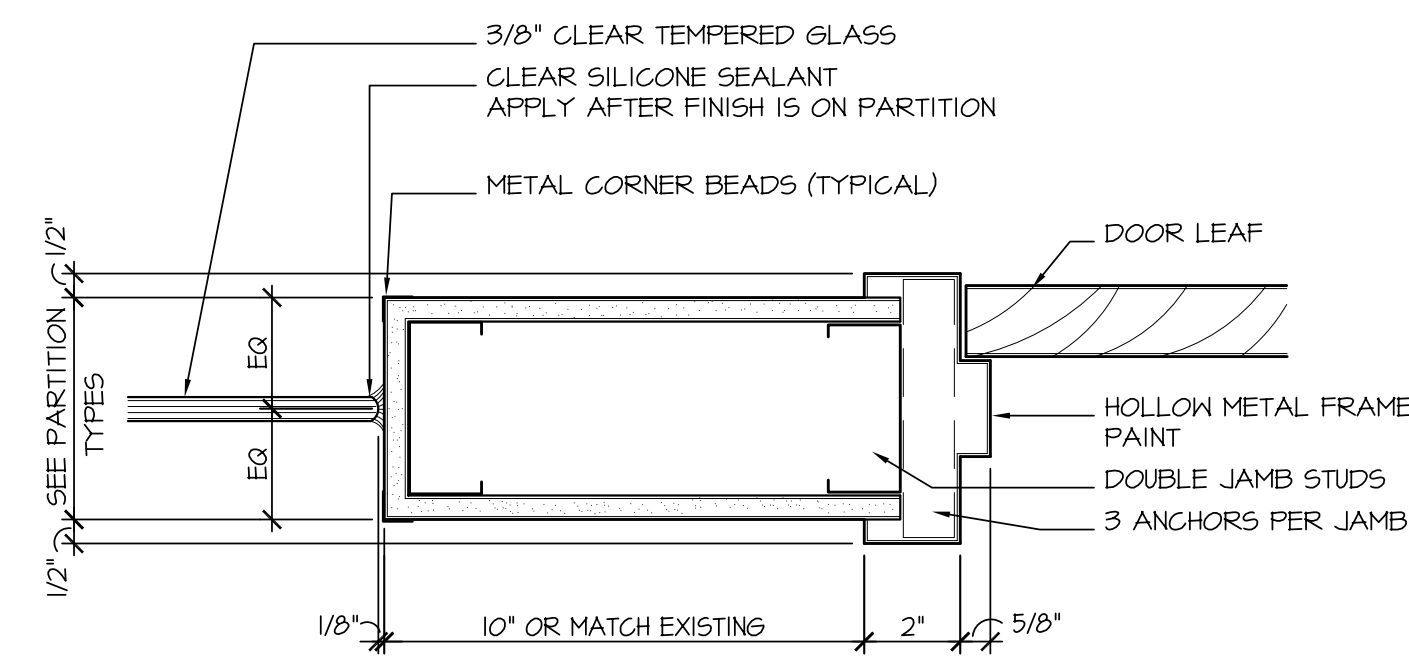
7 HOLLOW METAL JAMB DETAIL
SCALE: 3" : 1'-0"



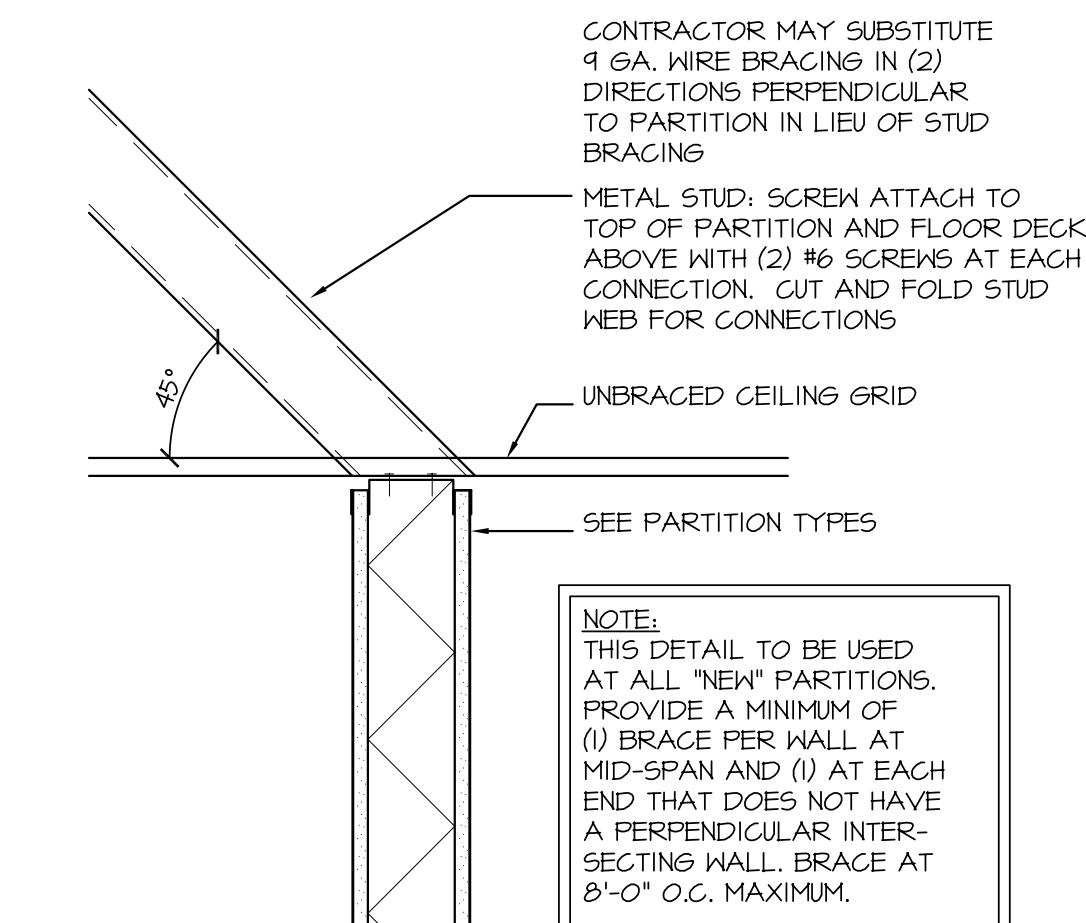
P2 PARTITION TYPE
SCALE: 1 1/2" : 1'-0"



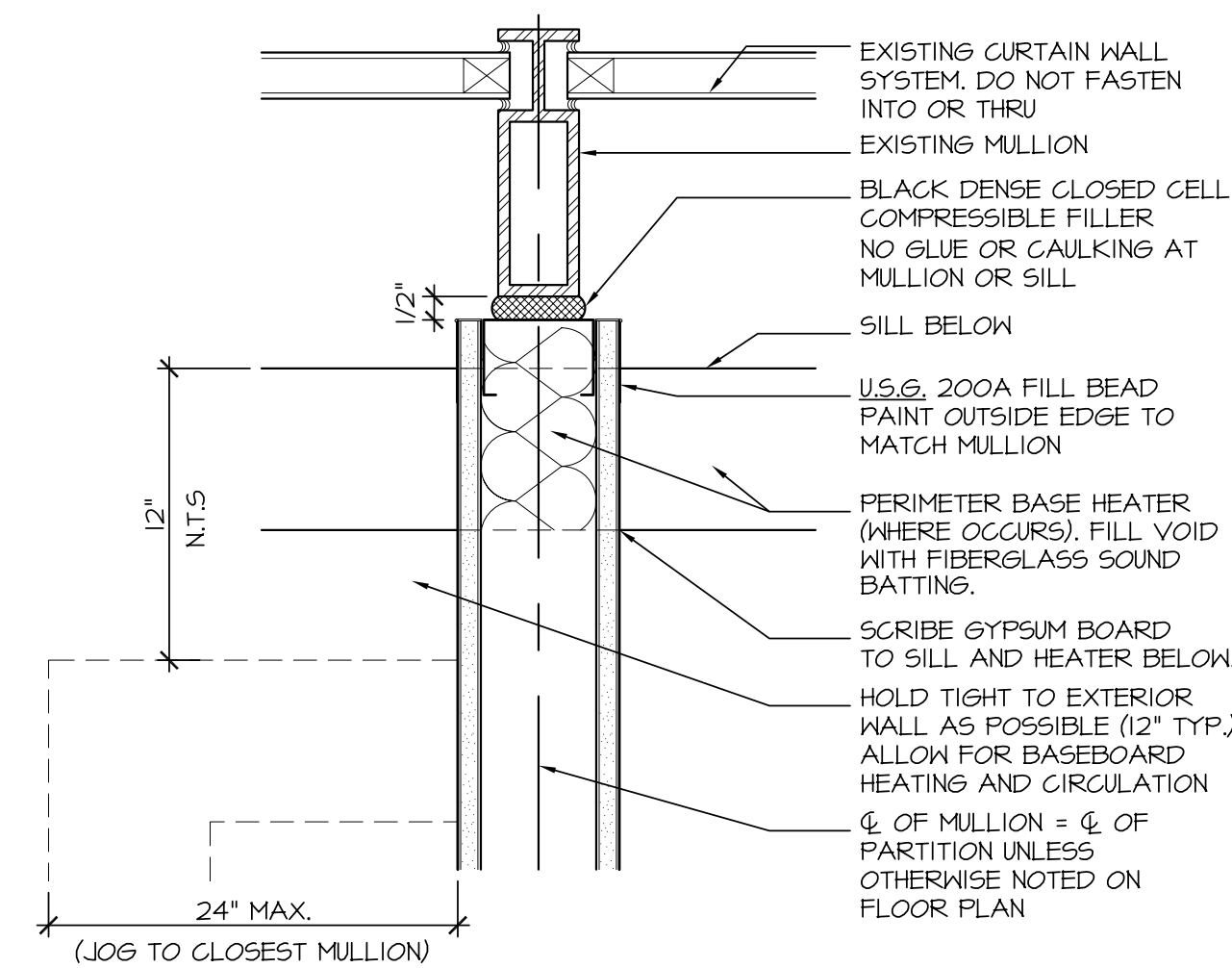
15 AV CABLE WIRE ROUTING DIAGRAM
SCALE: NOT TO SCALE



11 SIDELIGHT JAMB DETAIL
SCALE: 3" : 1'-0"



3 SEISMIC BRACING DETAIL
SCALE: NOT TO SCALE



8 PARTITION AT MULLION DETAIL
SCALE: 3" : 1'-0"