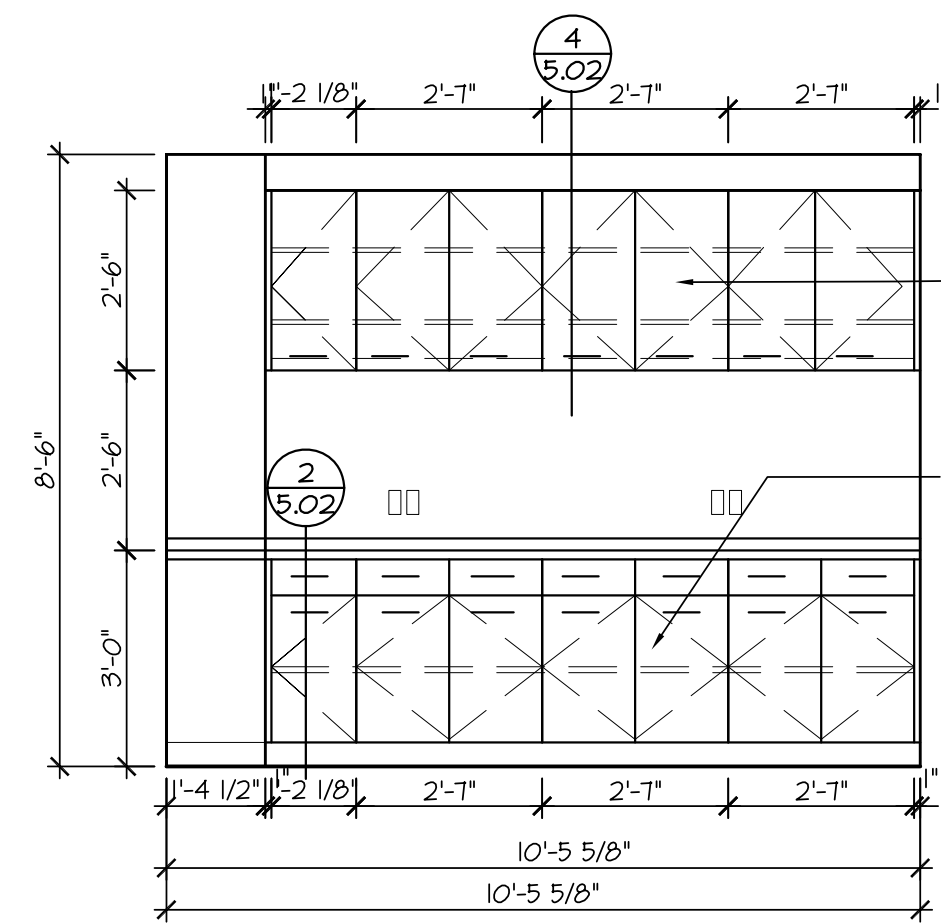
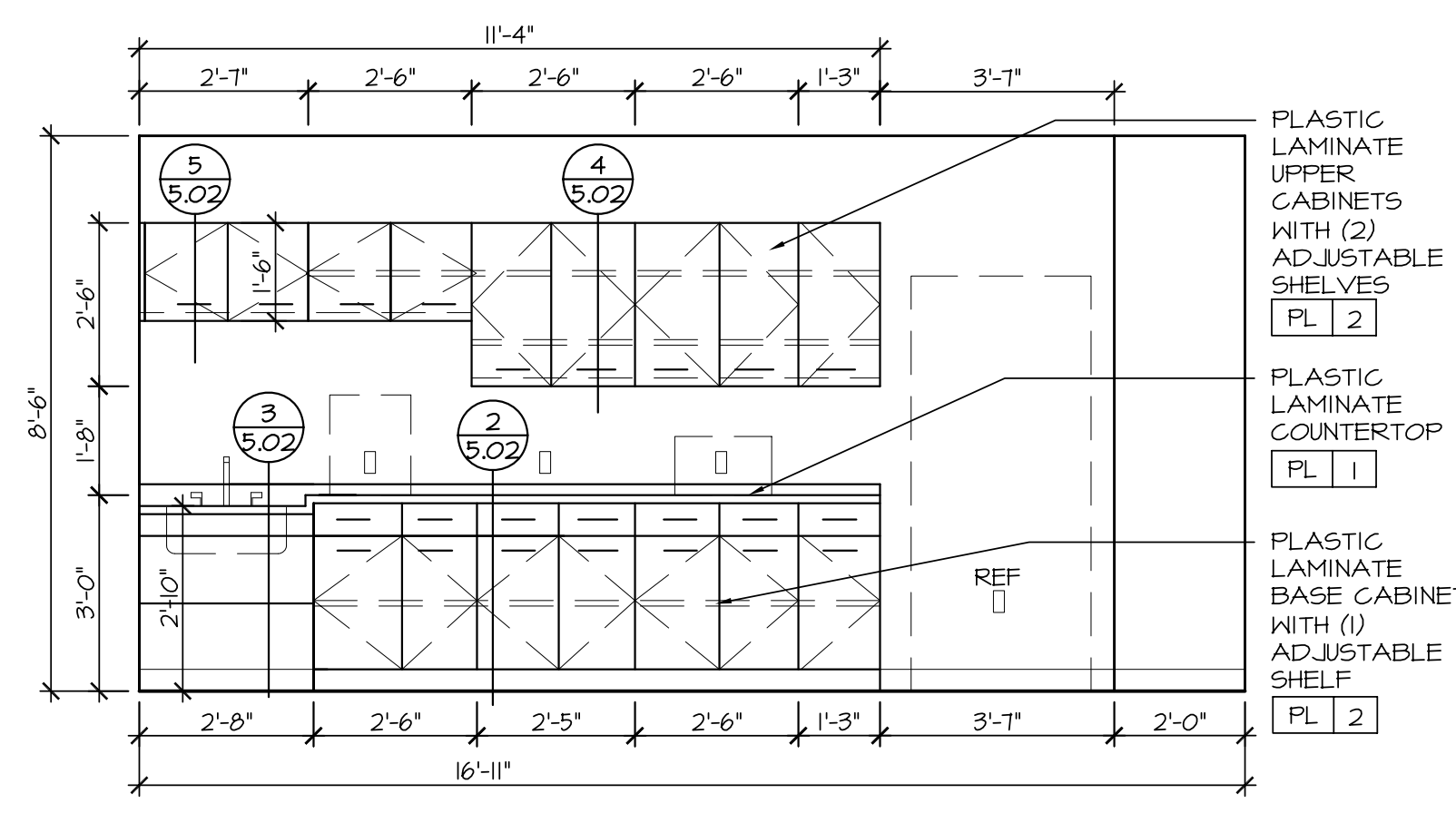


Required Electrical for The Entire Room:
 NEMA 5-20R Quads- Qty (3)
 NEMA L6-30R - Qty (1)

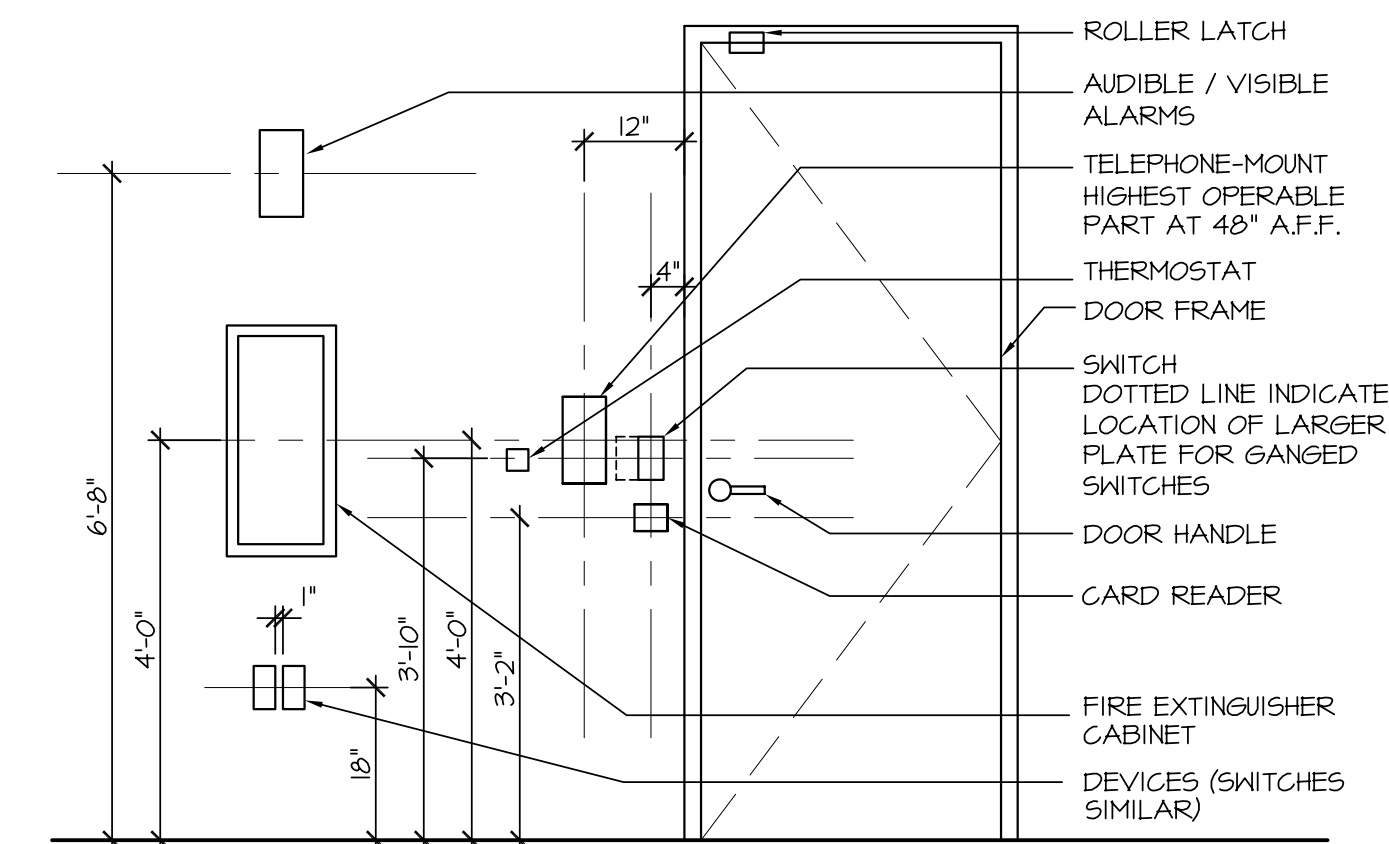
14 DATA CENTER LAYOUT PLAN
 SCALE: NOT TO SCALE



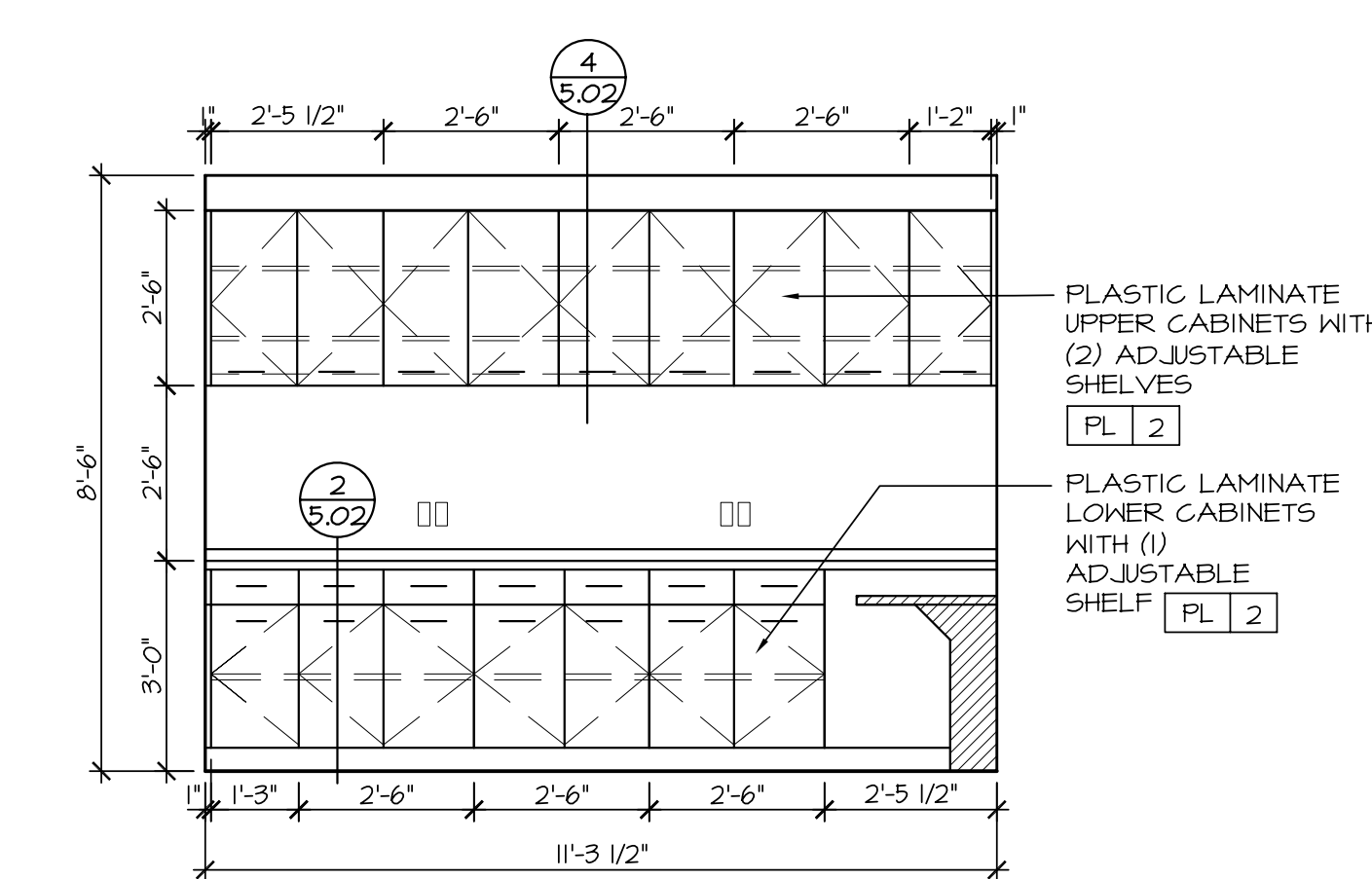
5 ELEVATION AT WORK ROOM
 SCALE: 3/8" = 1'-0"



1 ELEVATION AT BREAK ROOM
 SCALE: 3/8" = 1'-0"

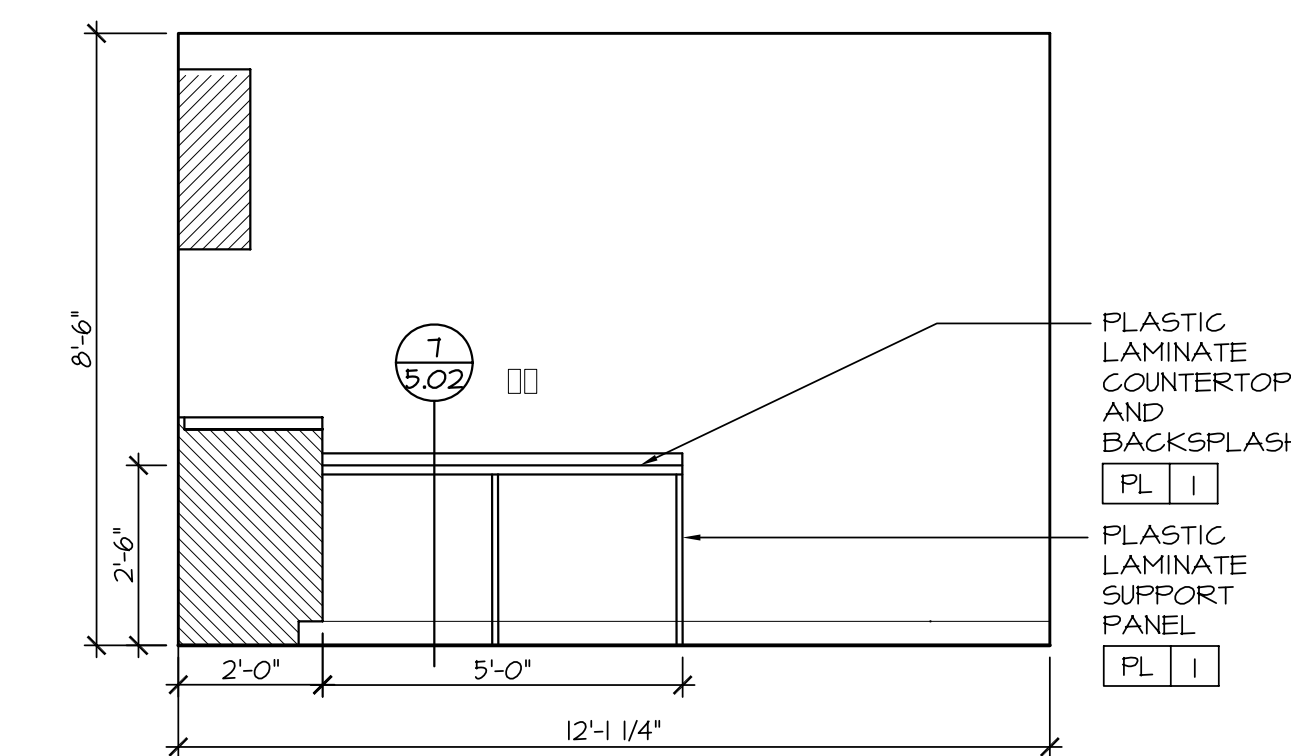


6 TYPICAL MOUNTING HEIGHTS DETAIL
 SCALE: NOT TO SCALE

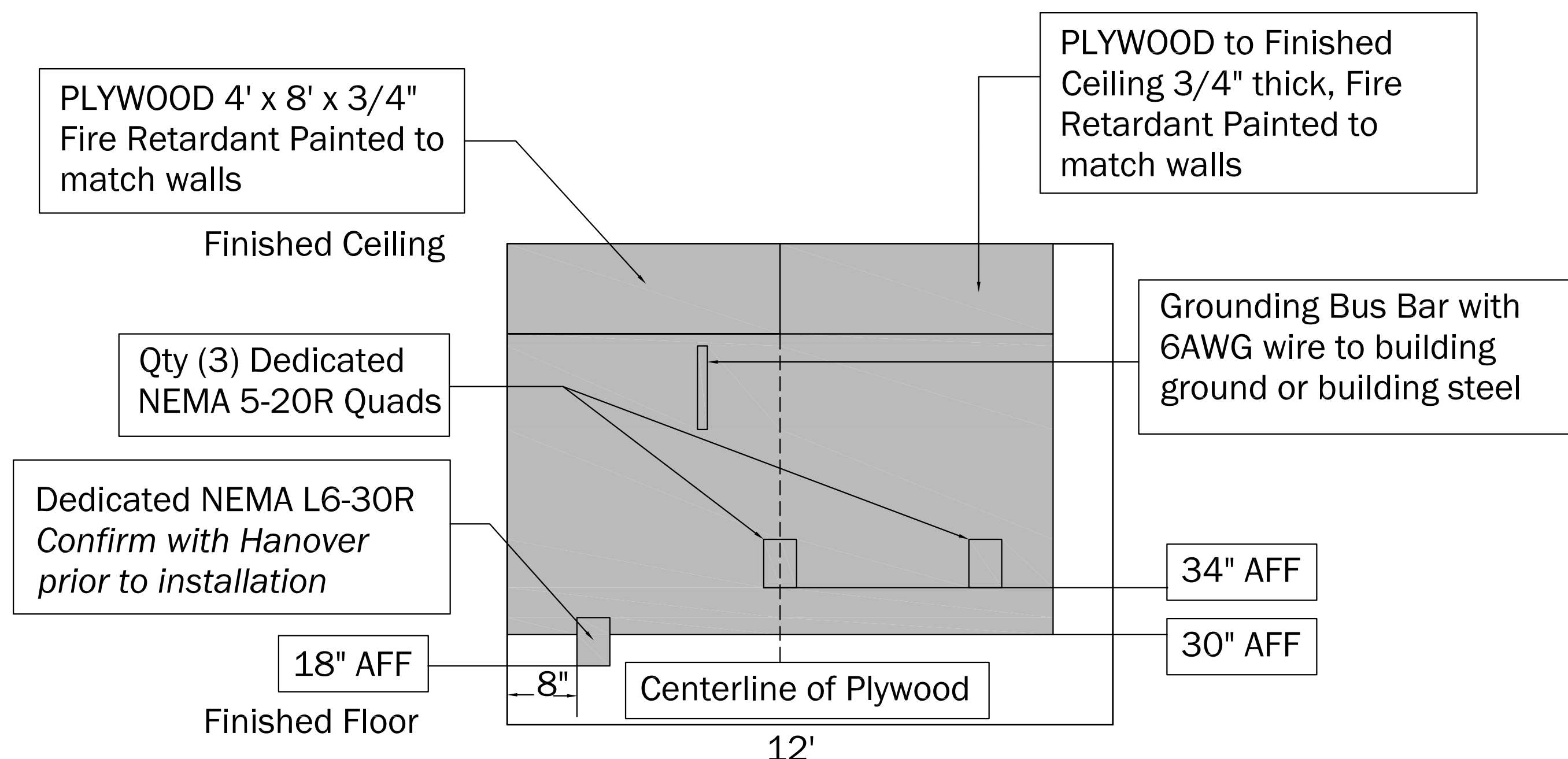


2 ELEVATION AT WORK ROOM
 SCALE: 3/8" = 1'-0"

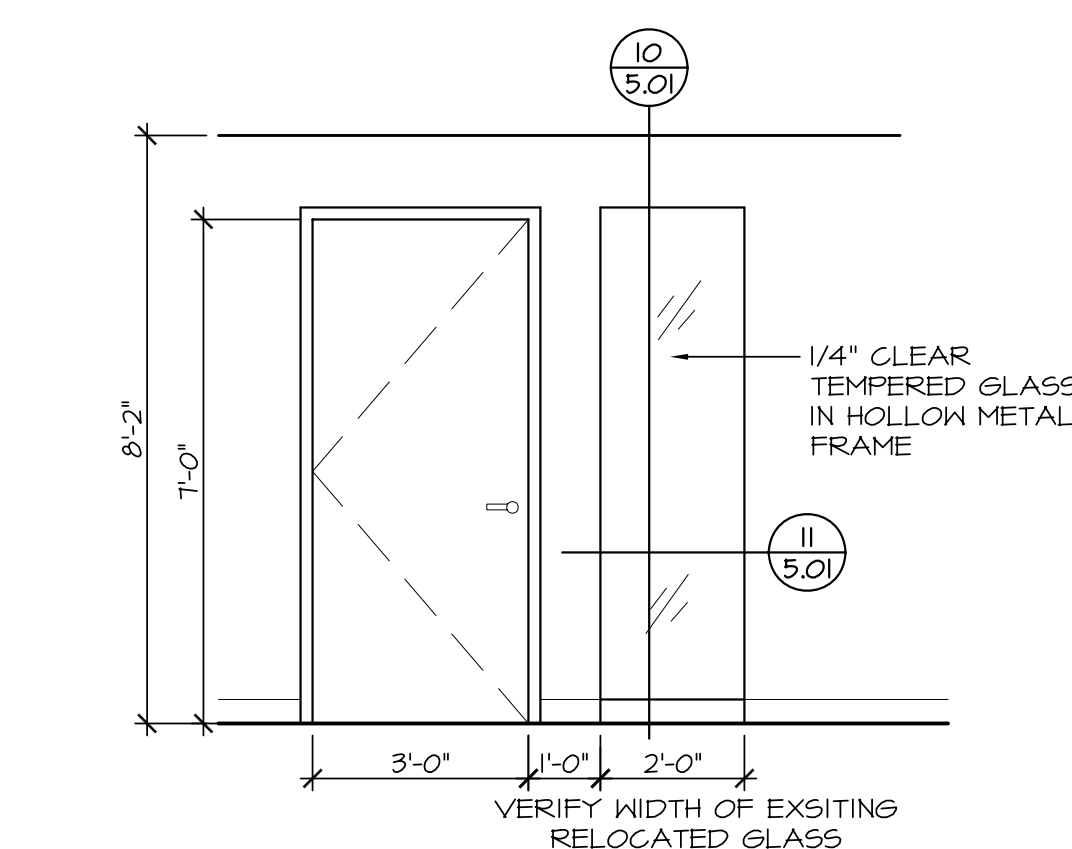
- APPLIANCES**
- (A) REFRIGERATOR
 WHIRLPOOL 21 CU FT.
 MODEL #WRTTIRNYB (BLACK ON BLACK)
 - (B) MICROWAVE
 WHIRLPOOL 1.7 CU FT. W/ WATER DISPENSOR
 MODEL #WRTTIREYB (BLACK ON BLACK)



3 ELEVATION AT WORK ROOM
 SCALE: 3/8" = 1'-0"



16 DATA CENTER WALL ELEVATION
 SCALE: NOT TO SCALE



4 TYPICAL SIDELIGHT ELEVATION
 SCALE: 3/8" = 1'-0"

45 minnie court
 old monroe, mo 63369
 office+fax: 636.661.5059
 www.ila-llc.com
 In association with James A. Lichty Architects

Contact:
 Shay Lewis
 636.661.5059
 shay@ila-llc.com

Revisions:
 Description: Date:

Issue date: 05.11.15
 Project number: 14-019

Interior Elevations