

Prepared For:

Consulting Engineer:

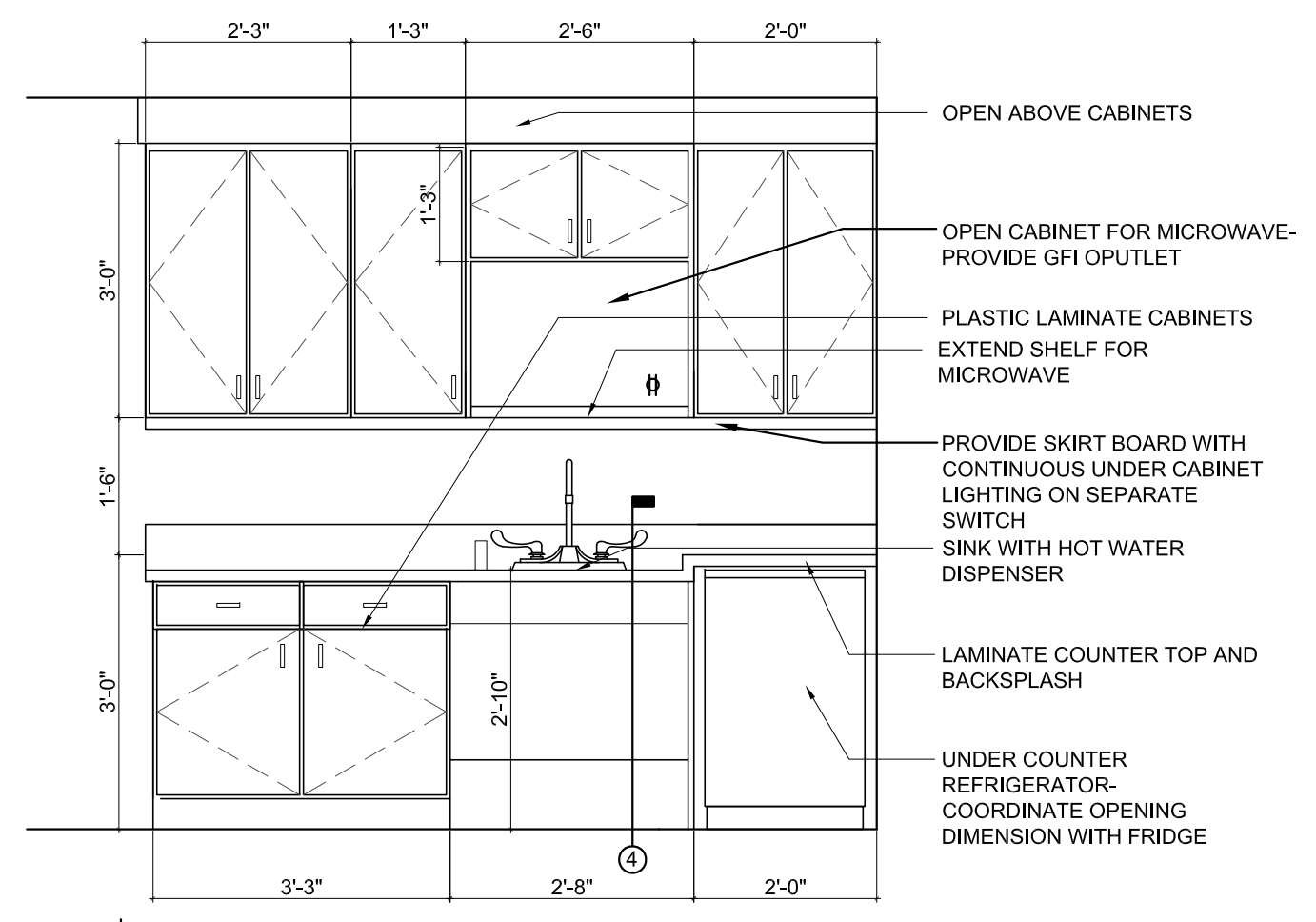
Architect: **ARCHETYPE** architects
48 Union Wharf Portland, Maine 04101
(207) 772-6022 Fax (207) 772-4056

Project: **GSA - FEDERAL JUDGE - 6th FLOOR**
2 MONUMENT SQUARE
PORTLAND, MAINE

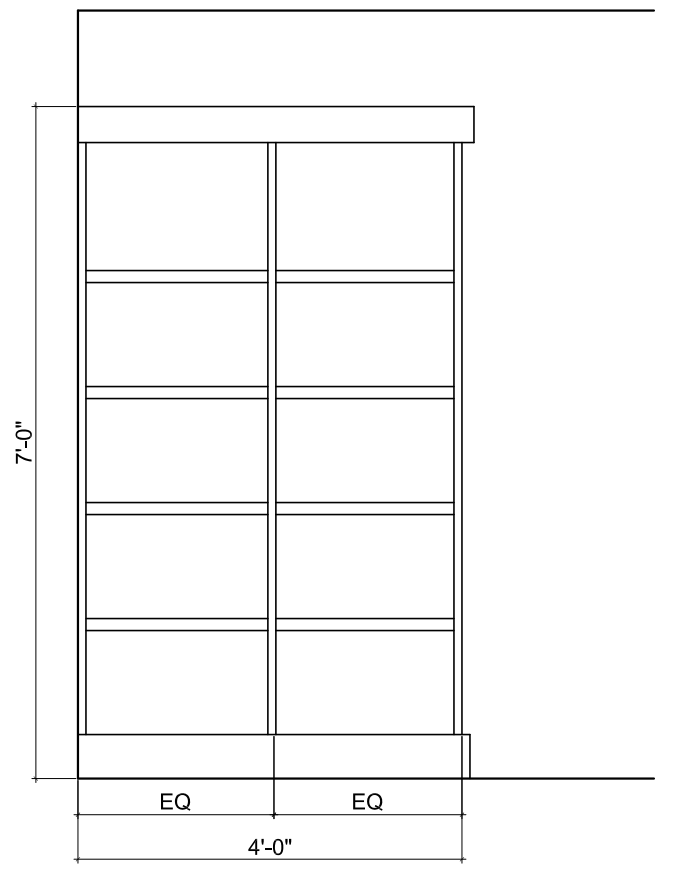
Revisions:

Date: August 16th, 2013
Scale: As Noted

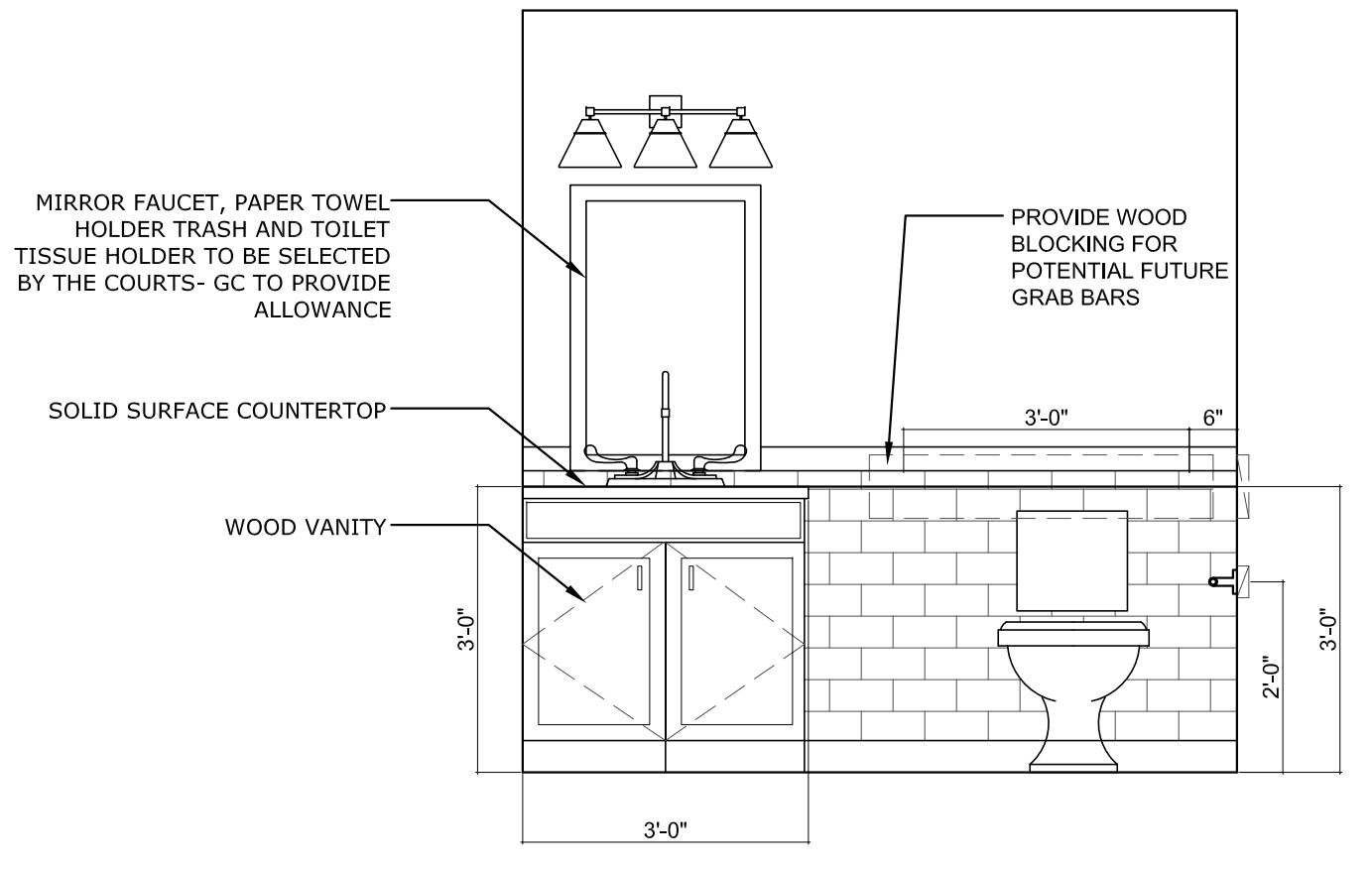
INTERIOR ELEVATIONS
A1.02



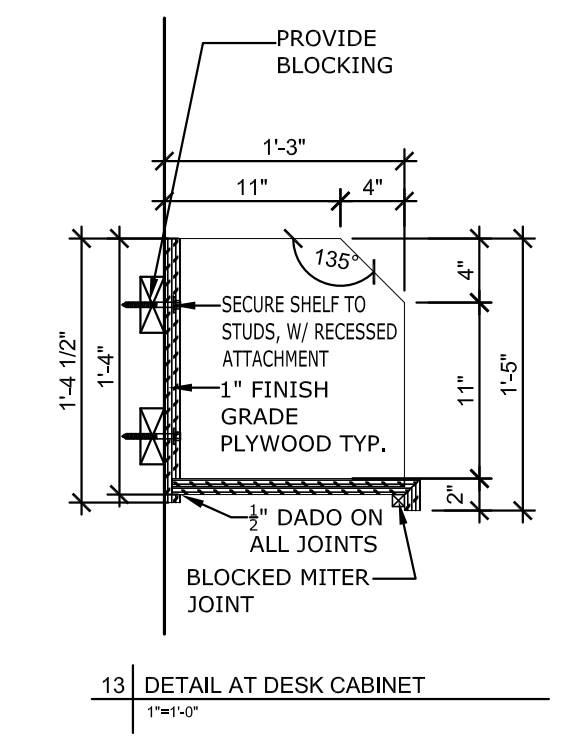
1 INTERIOR ELEVATION AT BREAK ROOM KITCHENETTE
1/2"=1'-0"



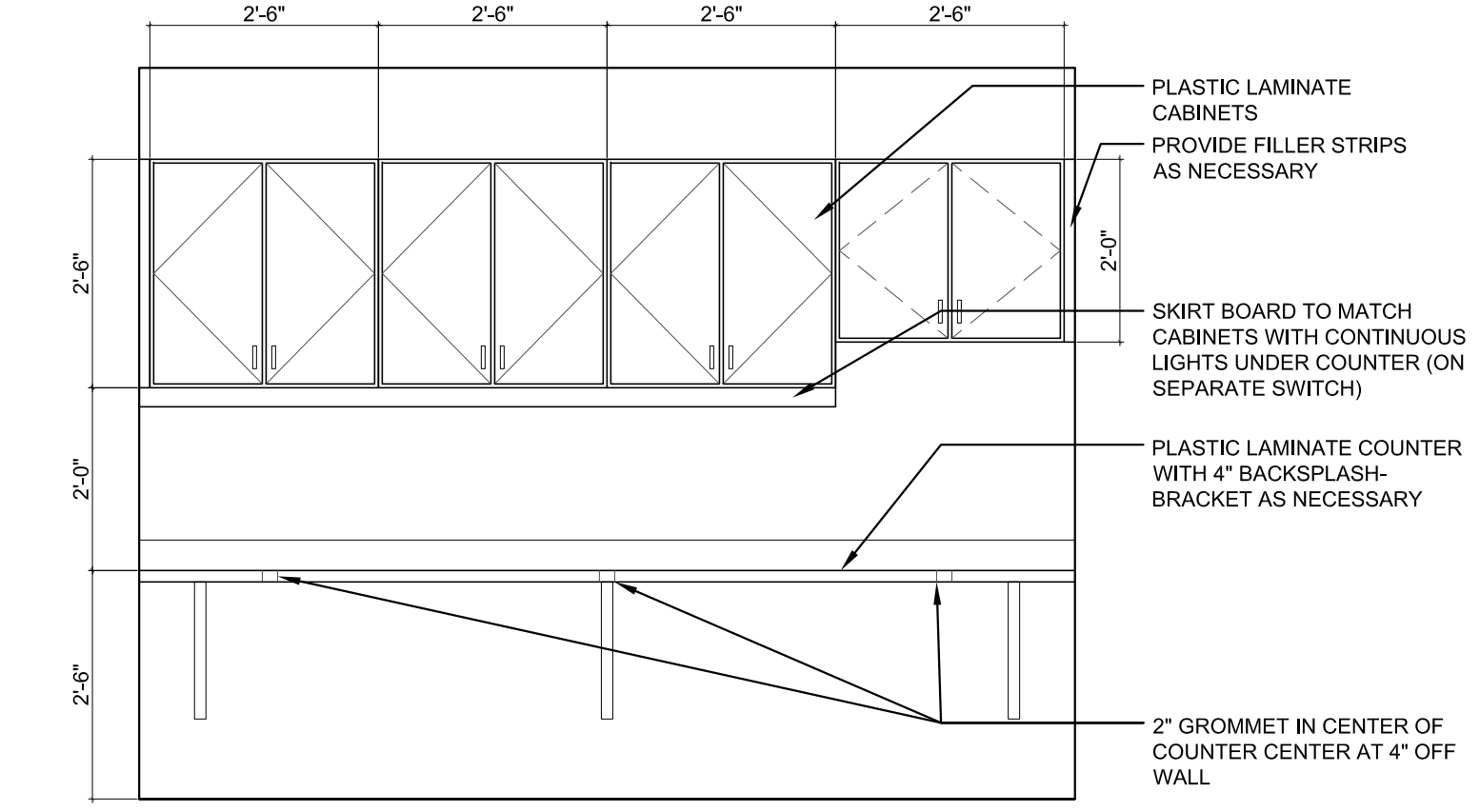
5 INTERIOR ELEVATION AT BUILT IN BOOKCASE
1/2"=1'-0"



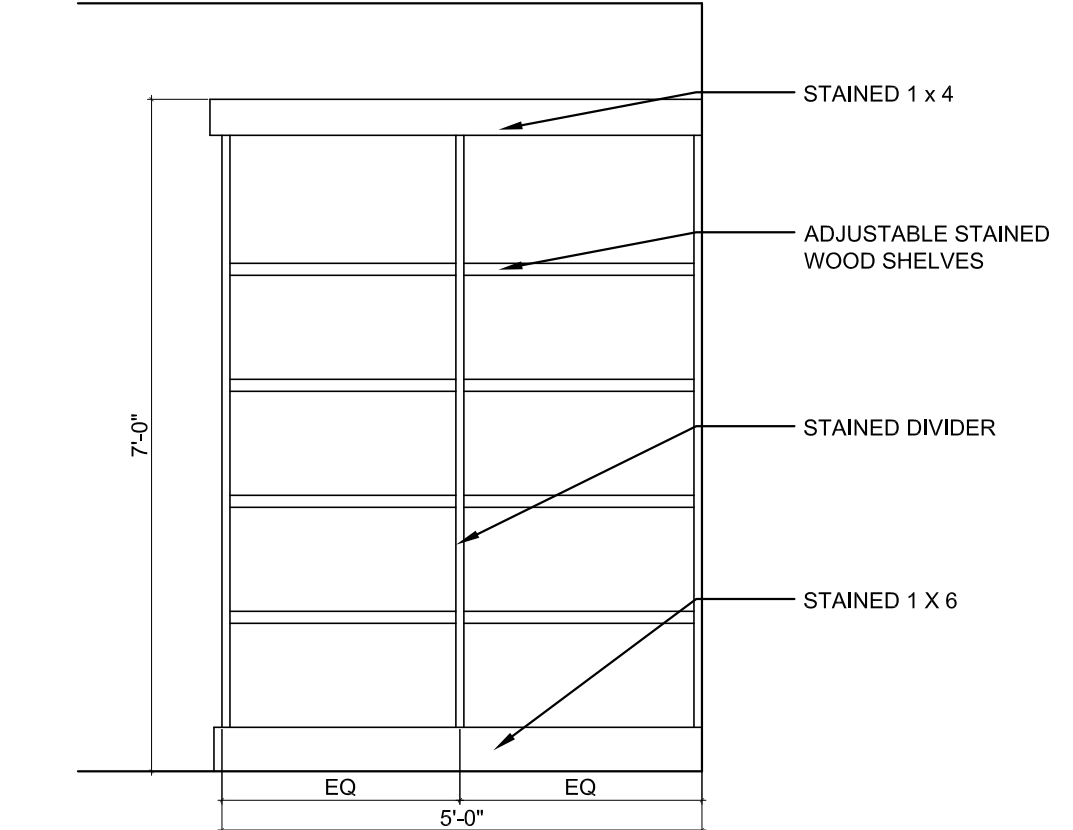
9 INTERIOR ELEVATION AT RESTROOM
1/2"=1'-0"



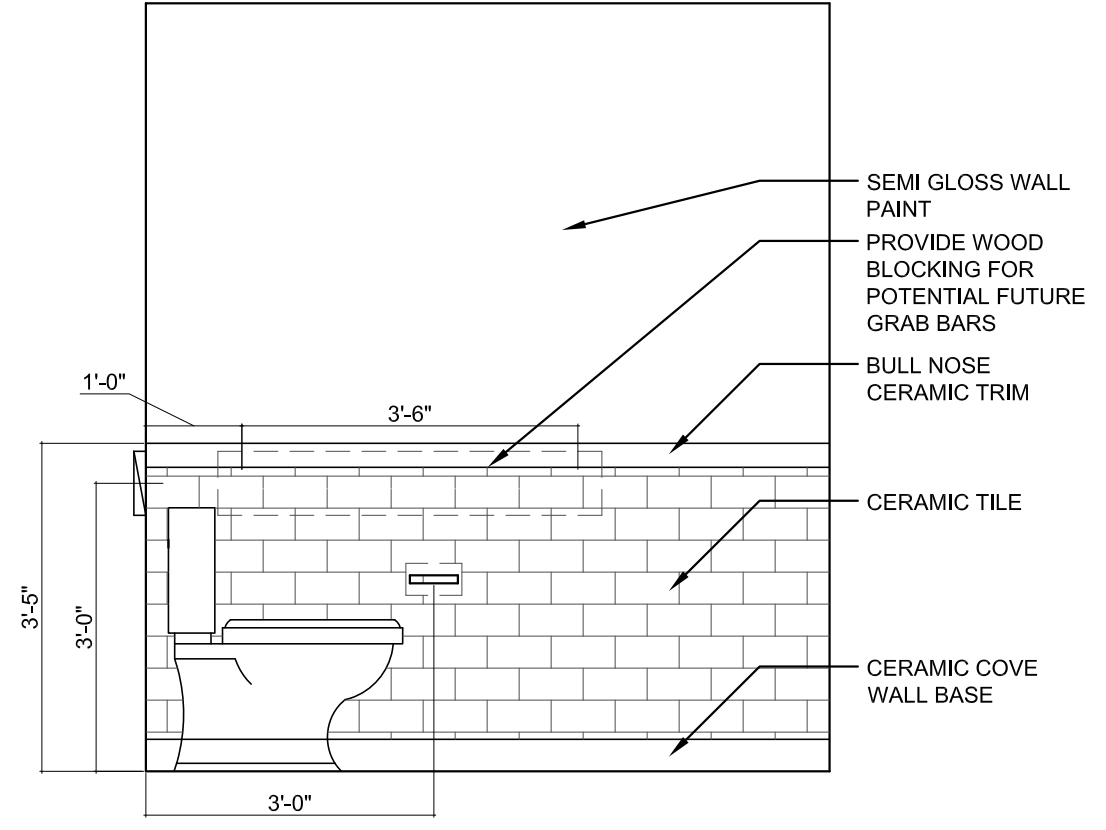
13 DETAIL AT DESK CABINET
1/4"=1'-0"



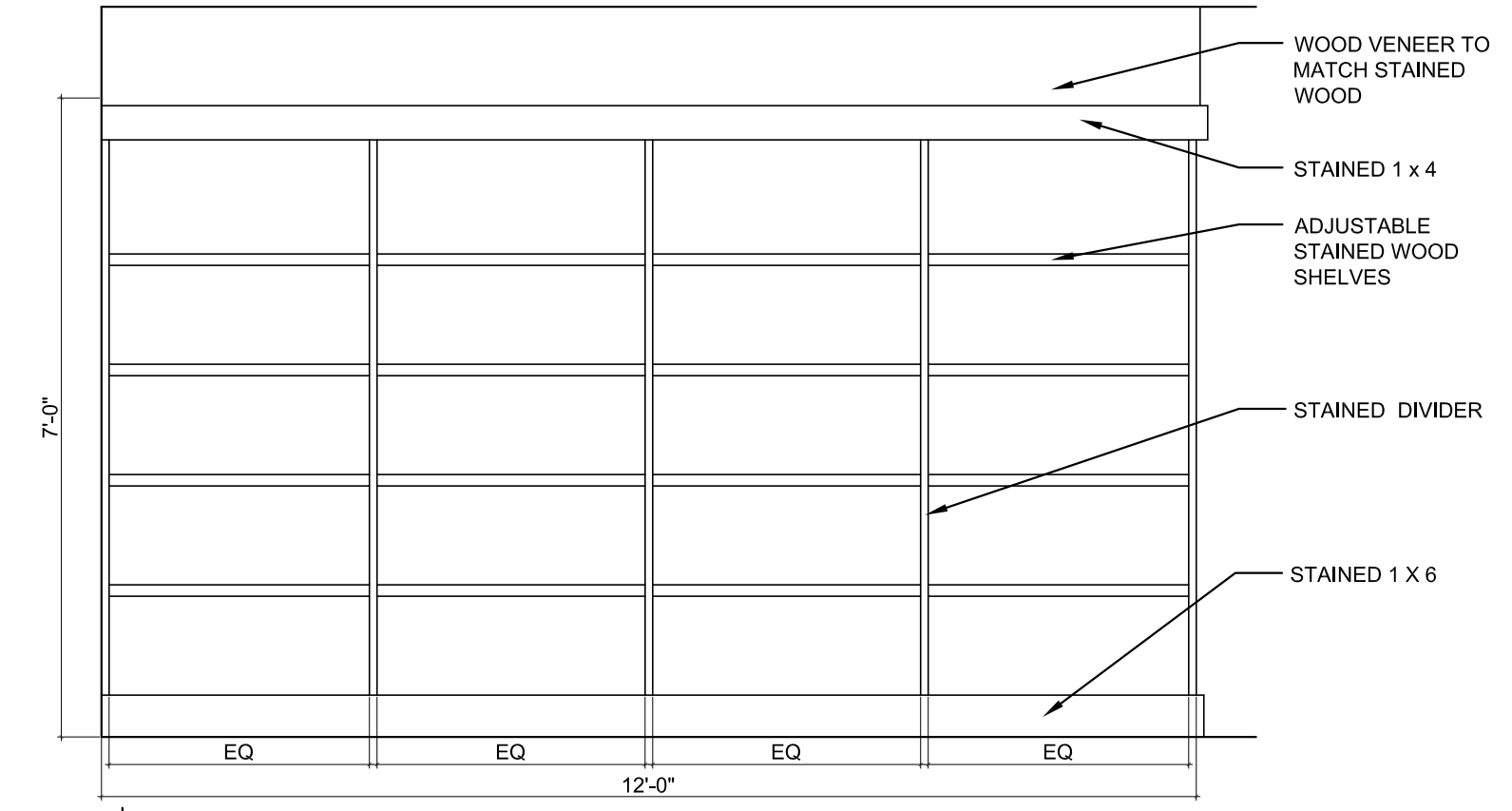
2 INTERIOR ELEVATION AT BREAK ROOM WORK COUNTER
1/2"=1'-0"



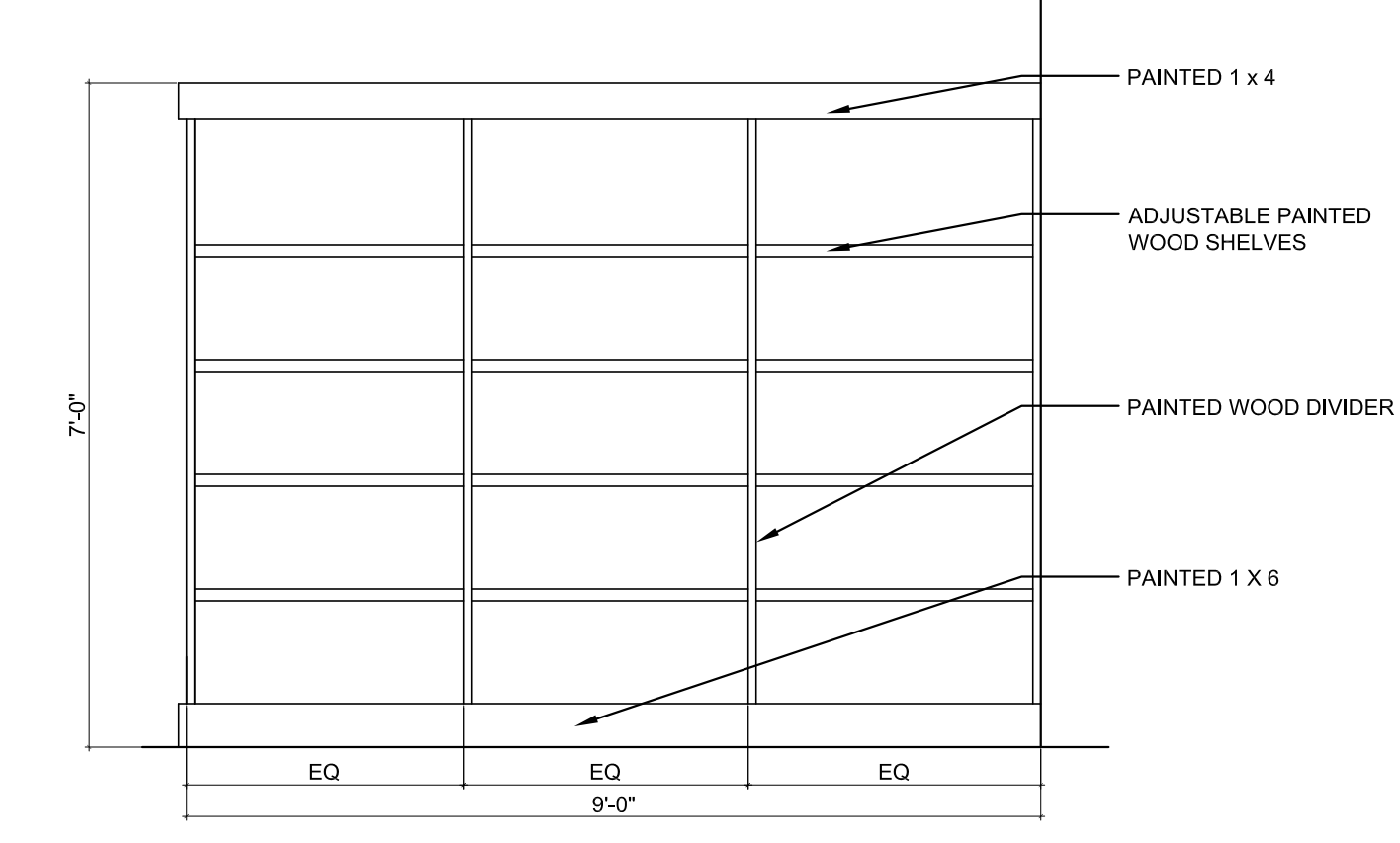
6 INTERIOR ELEVATION AT BUILT IN BOOKCASE
1/2"=1'-0"



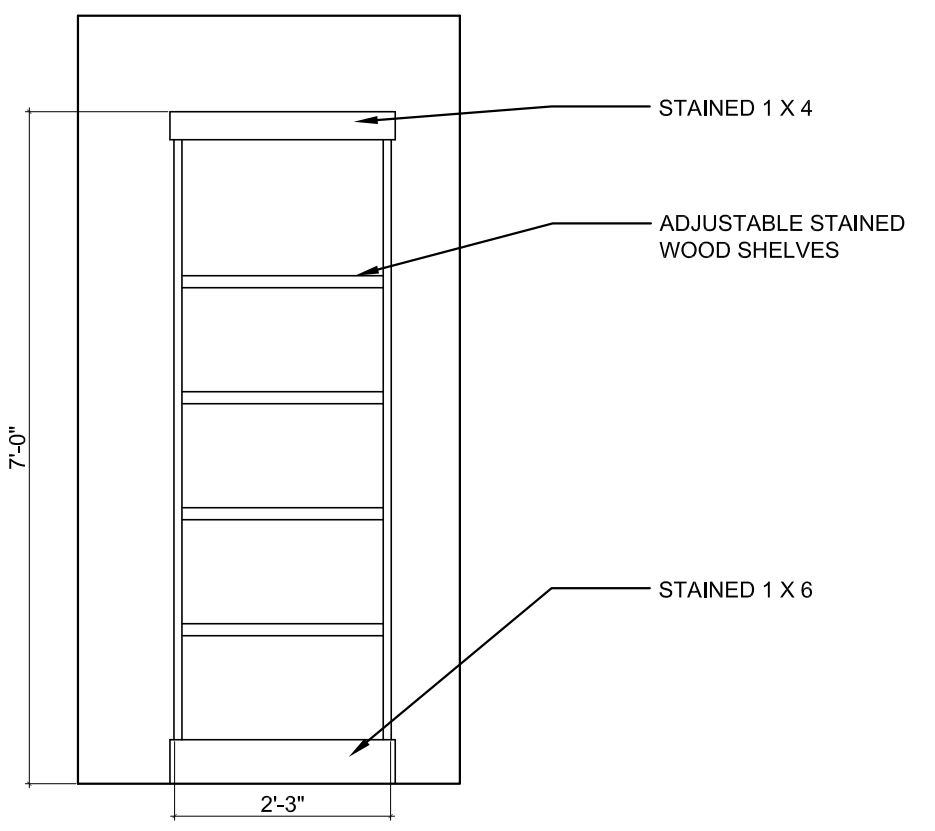
10 INTERIOR ELEVATION AT RESTROOM
1/2"=1'-0"



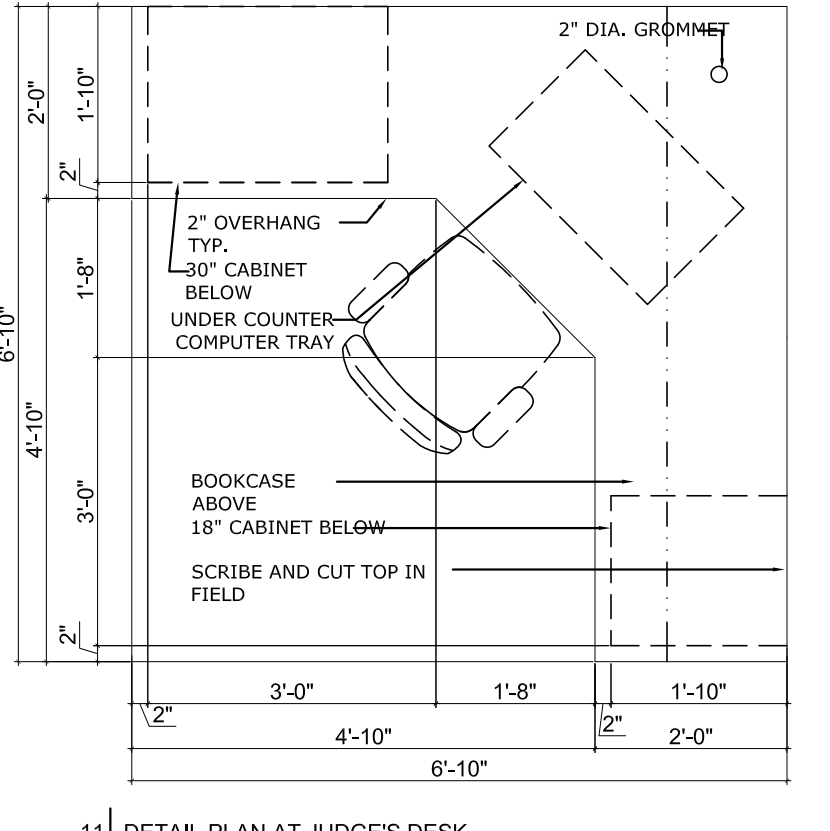
14 INTERIOR ELEVATION AT BUILT IN BOOKCASE
1/2"=1'-0"



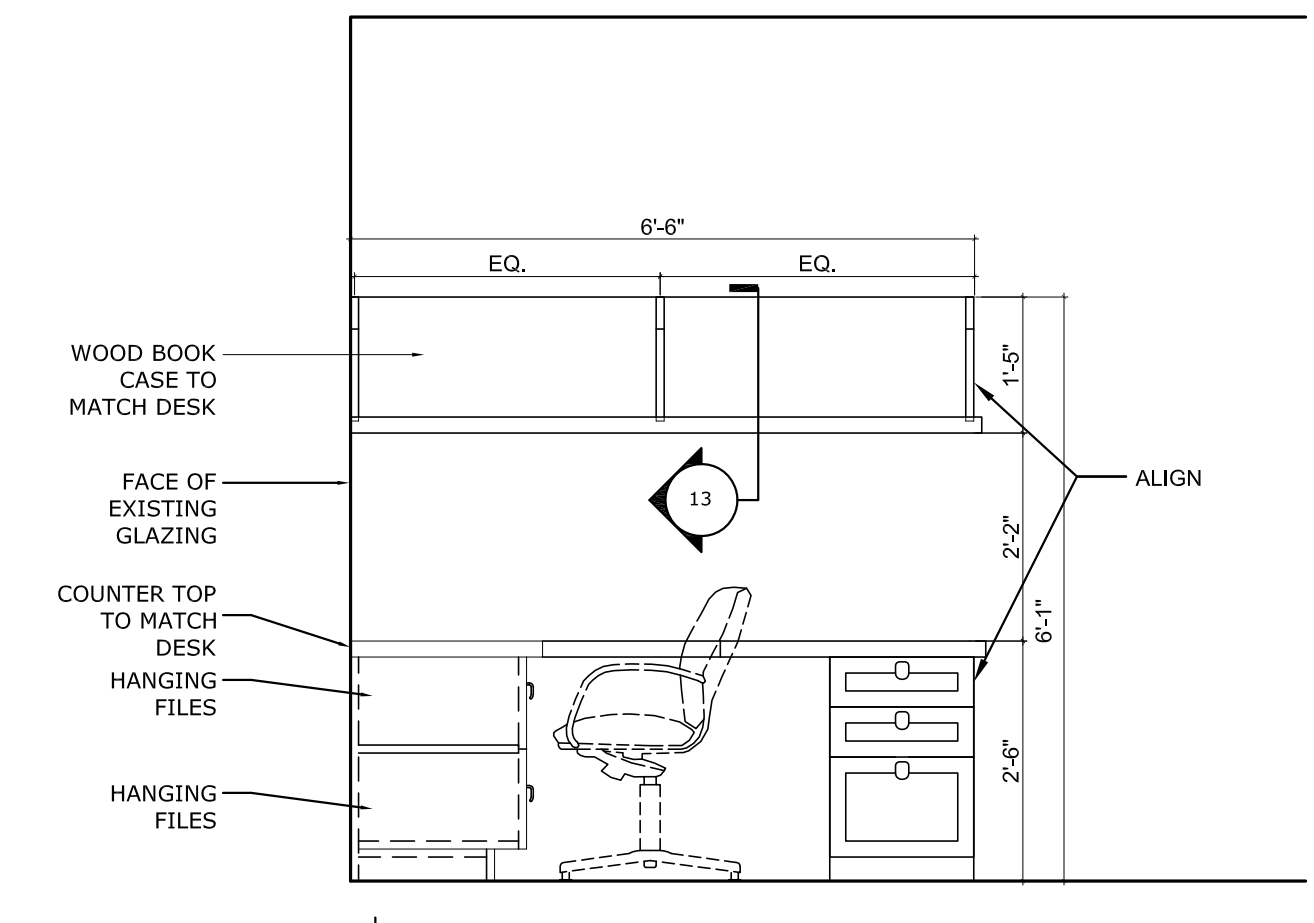
3 INTERIOR ELEVATION AT BREAK ROOM BUILT IN
1/2"=1'-0"



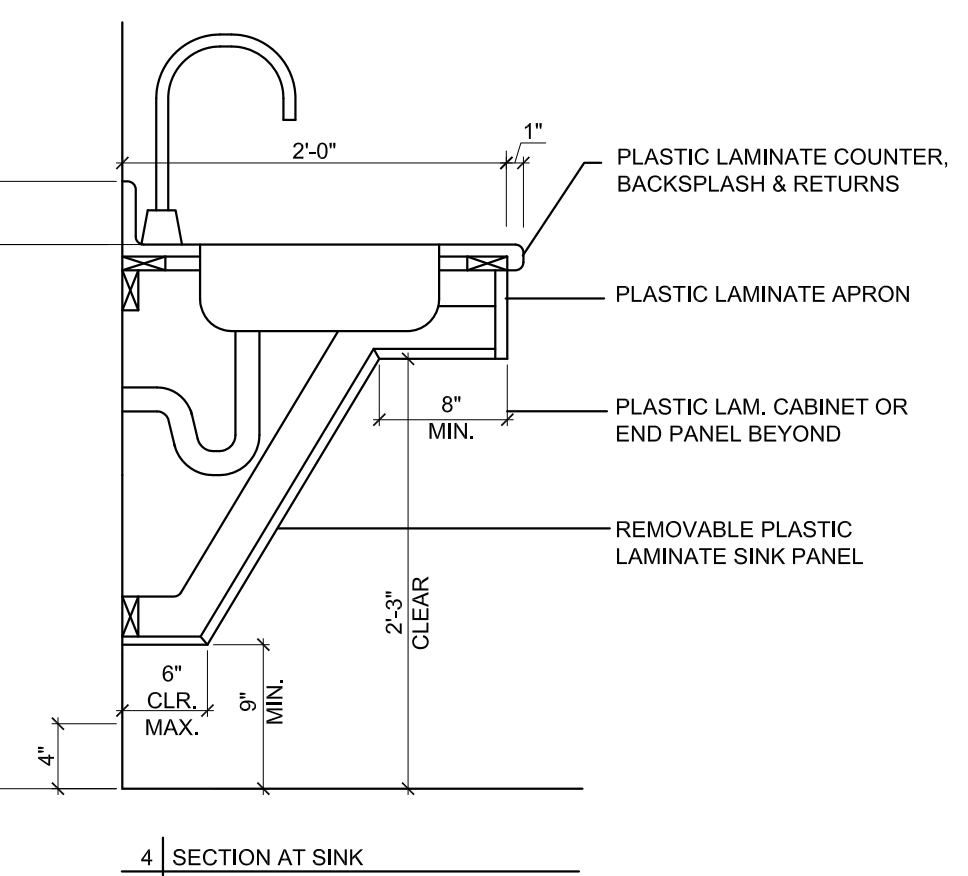
7 INTERIOR ELEVATION AT BUILT IN BOOKCASE
1/2"=1'-0"



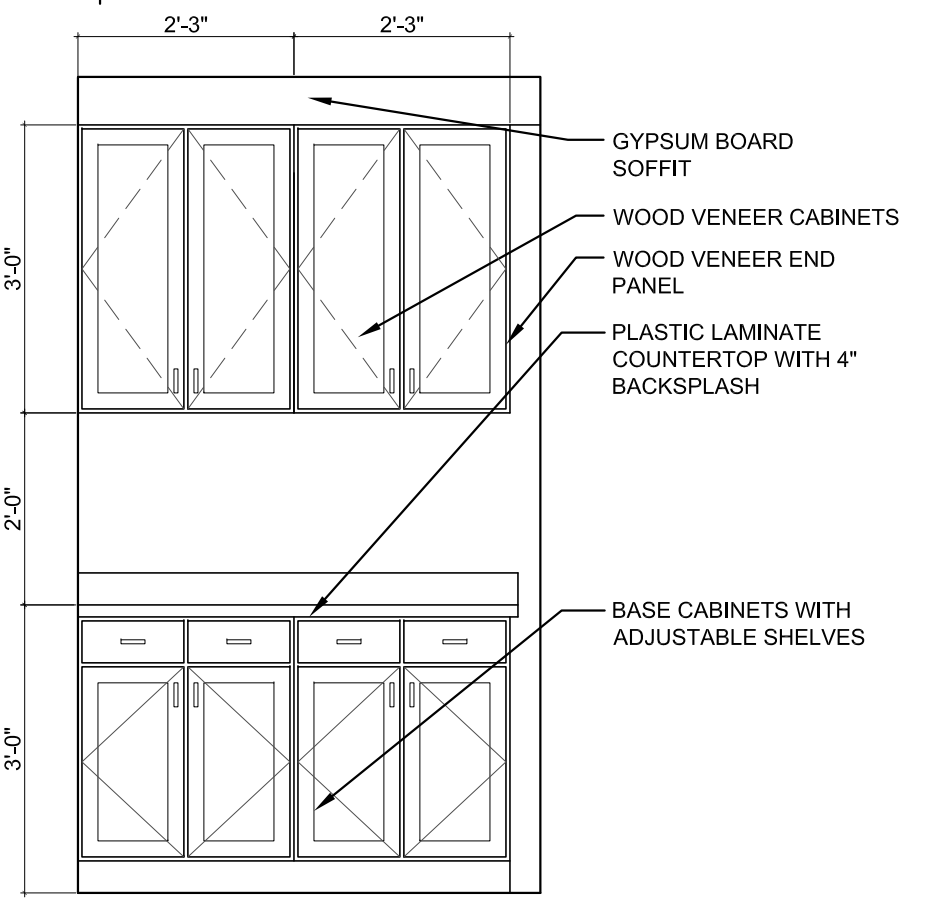
11 DETAIL PLAN AT JUDGE'S DESK
1/2"=1'-0"



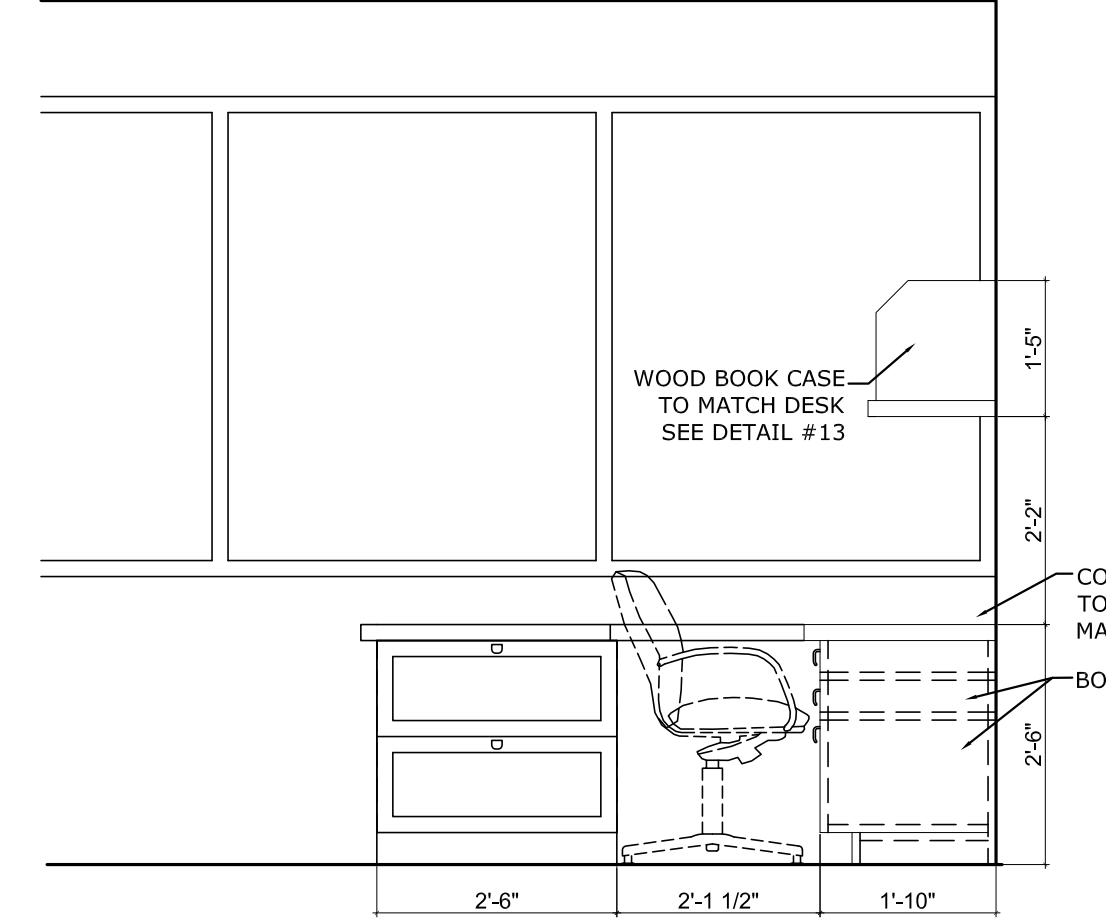
15 ELEVATION AT JUDGE'S DESK
1/2"=1'-0"



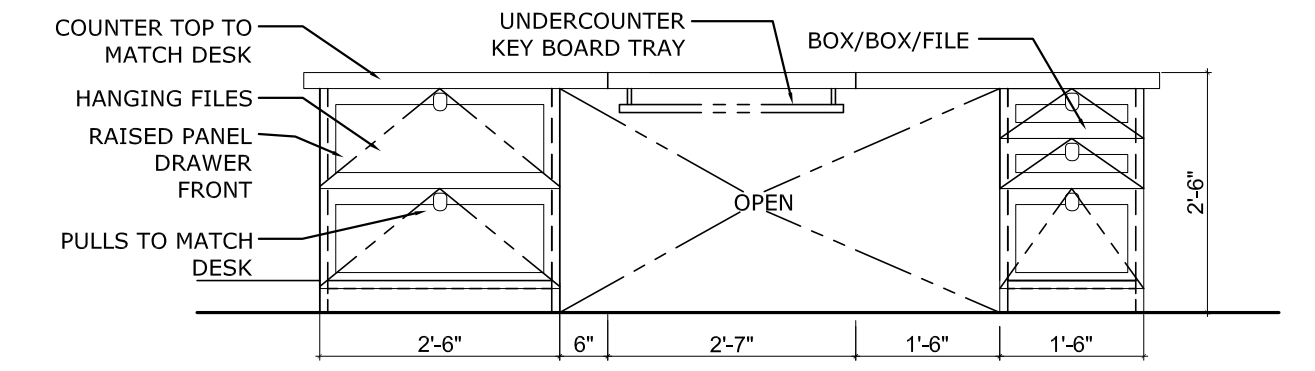
4 SECTION AT SINK
1/4"=1'-0"



8 INTERIOR ELEVATION AT RECEPTION
1/2"=1'-0"



12 ELEVATION AT JUDGE'S DESK
1/2"=1'-0"



16 ELEVATION AT DESK
1/2"=1'-0"

****ALL STAINED WOOD TO MATCH OFS-MLC LIGHT CHERRY FINISH

