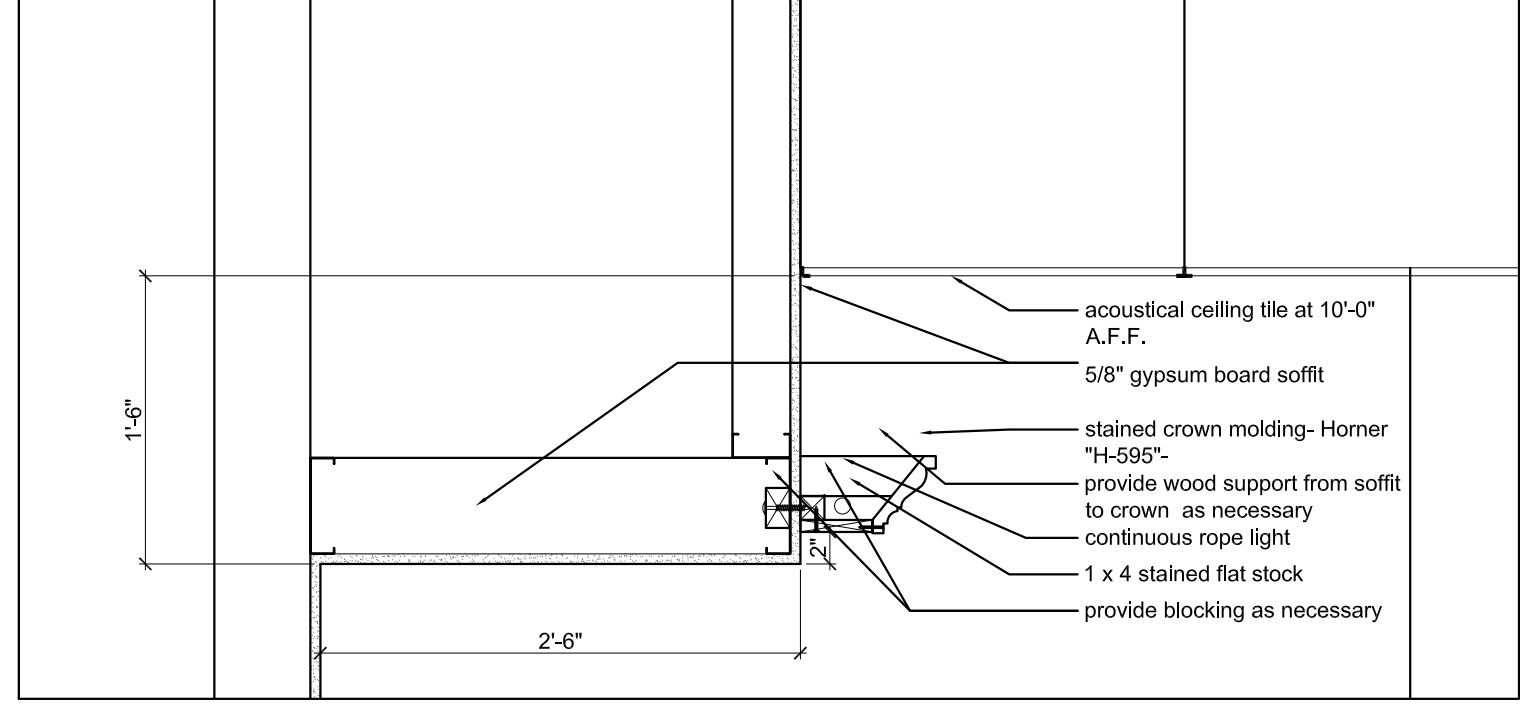


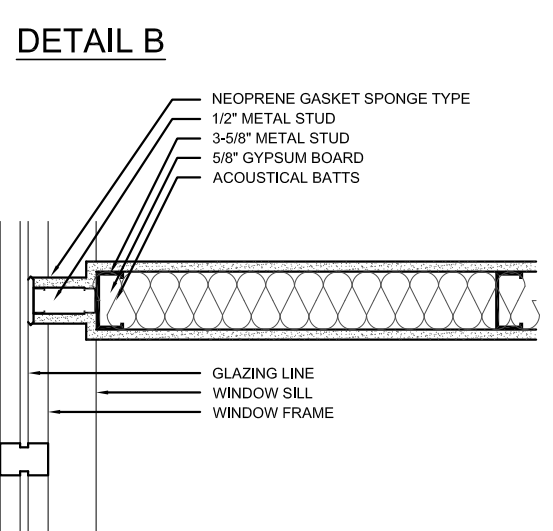
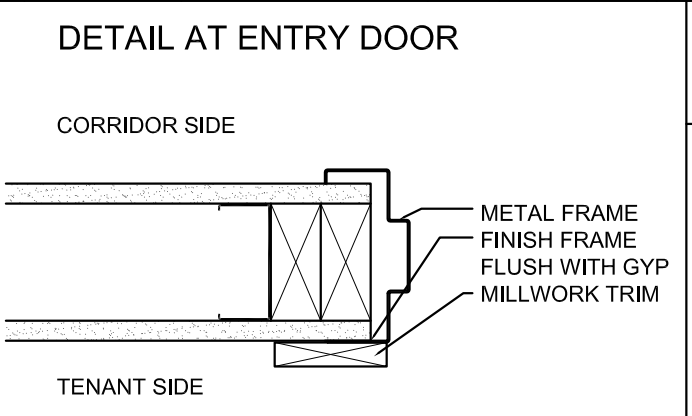
1 PARTIAL 6TH FLOOR PLAN
SCALE: 1/4"=1'-0"



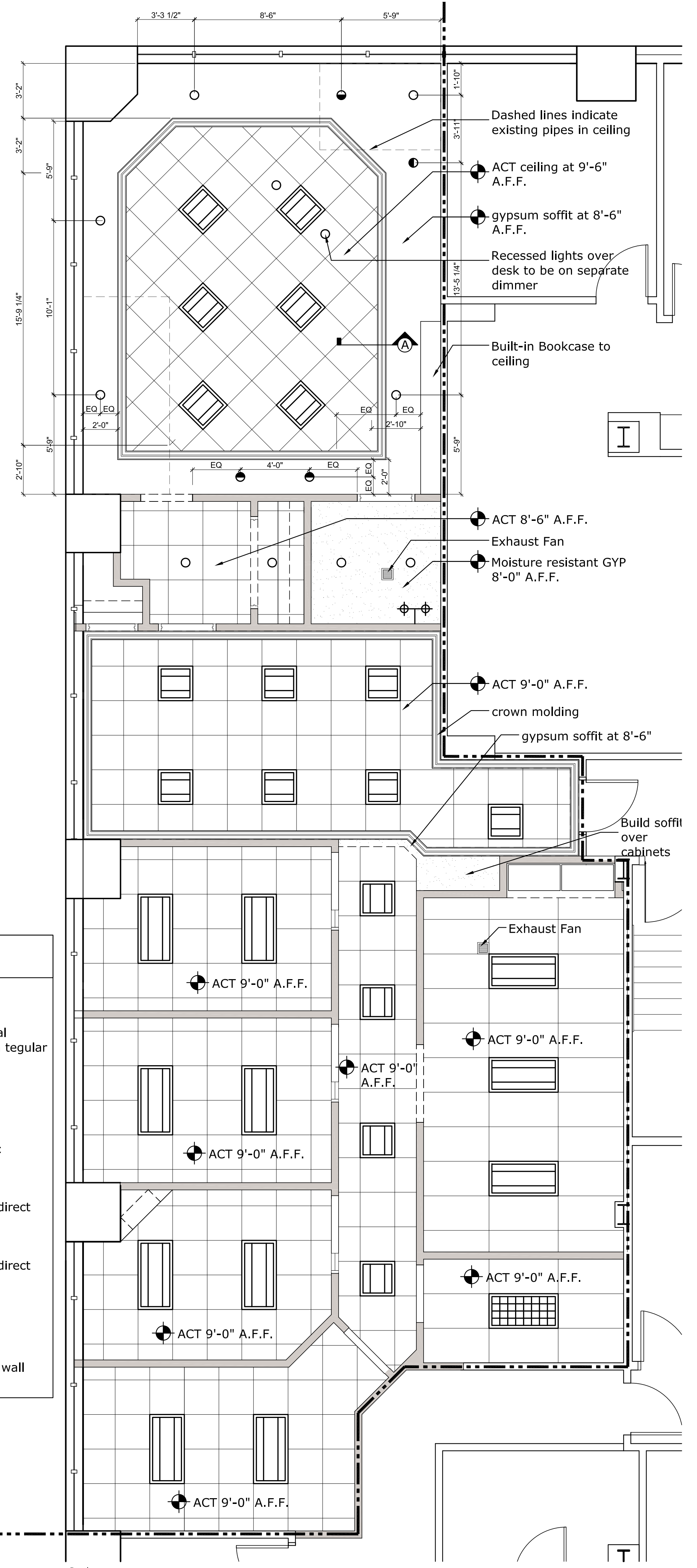
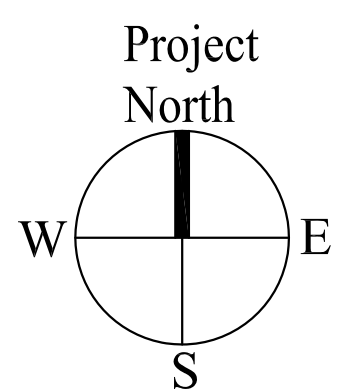
A Detail at soffit in Judge's Chambers
SCALE: 1"=1'-0"

LEGEND		DOOR SCHEDULE						
	EXISTING WALL TO REMAIN	#	LOCATION	SIZE	TYPE	FUNCTION	MATERIAL	NOTES
	EXISTING WALL TO BE DEMOLISHED	01	ENTRY	3'-0" x 7'-0" x 1.75"	A	ENTRY	WOOD	DOOR #1-ELECTRIC STRIKE-REFER TO PUBLICATION 64 FOR DOOR HARDWARE
	NEW WALL	02	VESTIBULE	3'-0" x 7'-0" x 1.75"	A	OFFICE	WOOD	
	TYPICAL NEW WALL CONSTRUCTION	03	CLOSET	3'-0" x 7'-0" x 1.75"	A	PASSAGE	WOOD	
	DEMISING WALL (also used at Judge's Chambers)	04	CLOSET	(2)12'-6" x 7'-0" x 1.75"	A	STORAGE	WOOD	
		05	TOILET	3'-0" x 7'-0" x 1.75"	A	OFFICE	WOOD	PROVIDE MARBLE THRESHOLD
		06	LAW CLERK 1	3'-0" x 7'-0" x 1.75"	A	OFFICE	WOOD	
		07	LAW CLERK 2	3'-0" x 7'-0" x 1.75"	A	OFFICE	WOOD	
		08	LAW CLERK 3	3'-0" x 7'-0" x 1.75"	A	OFFICE	WOOD	
		09	LAW CLERK 4	3'-0" x 7'-0" x 1.75"	A	OFFICE	WOOD	
		10	UTILITY	3'-0" x 7'-0" x 1.75"	A	STORAGE	WOOD	

FINISH SCHEDULE		FLOOR	BASE	WALL	CEILING
JUDICIAL ASSISTANT & RECEPTION	CARPET	STAINED WOOD	PAINTED GYPSUM	2' X 2' ACT/ GYPSUM SOFFIT	2 X 2 ACT
VESTIBULE	CARPET	STAINED WOOD	PAINTED GYPSUM	2 X 2 ACT	2 X 2 ACT
JUDGE'S CHAMBERS	CARPET	STAINED WOOD	PAINTED GYPSUM	2' X 2' ACT/ GYPSUM SOFFIT	2 X 2 ACT
TOILET	CERAMIC TILE	CERAMIC TILE	CERAMIC TILE TO 3'-5" PAINT ABOVE	MOISTURE RESISTANT GYP.	
LAW CLERK OFFICES	CARPET	4" VINYL	PAINTED GYPSUM	2 X 2 ACT	2 X 4 ACT
UTILITY ROOM	VCT	4" VINYL	PAINTED GYPSUM	2 X 4 ACT	2 X 4 ACT
SERVICE UNIT	VCT	4" VINYL	PAINTED GYPSUM	2 X 4 ACT	2 X 4 ACT
CORRIDOR	CARPET	STAINED WOOD	PAINTED GYPSUM	2 X 2 ACT	2 X 2 ACT



LEGEND	
	2' x 2' Acoustical Ceiling Tile with regular 9/16" Grid
	2' x 4' parabolic
	2' x 4' direct/indirect with troffer
	2' x 2' direct/indirect with troffer
	6" recessed can
	over the vanity wall sconce



2 PARTIAL 6TH FLOOR CEILING PLAN
SCALE: 1/4"=1'-0"

Prepared For:

Consulting Engineer:

Architect:

Project:

Revisions:

Date:

Scale:

August 16th, 2013 As Noted

**GSA - FEDERAL
JUDGE- 6th FLOOR**

2 MONUMENT SQUARE
PORTLAND, MAINE

FLOOR AND CEILING PLAN

A1.01