

TrueAlert™ NON-ADDRESSABLE MULTI-HI CANDELA VISIBLE NOTIFICATION APPLIANCE

PRODUCT INFORMATION

FEATURES:

- UL LISTED TO STANDARD 1971
- ADA COMPATIBLE
- SYNCHRONIZATION FLASH RATE MODE FOR USE WITH:
 - SEPARATE STROBE SYNCHRONIZATION MODULES THAT ARE AVAILABLE FOR CLASS B OR CLASS A OPERATION
 - SEPARATE SMARTSYNC CONTROL MODULES (SCMs) THAT PROVIDE CLASS B OR CLASS A OUTPUT FROM CONVENTIONAL NAC INPUTS

SPECIFICATIONS:

- HOUSING DIMENSIONS: 5-1/8" H X 5" W X 2-3/4" D (130mm X 127mm X 70mm)
- TEMPERATURE RANGE: 32°F TO 122°F (0 TO 50°C)
- HUMIDITY RANGE: 10% TO 93% NON-CONDENSING AT 100°F (38°C)
- TERMINAL BLOCKS FOR 18AWG TO 12AWG; TWO WIRES PER TERMINAL FOR IN/OUT WIRING.

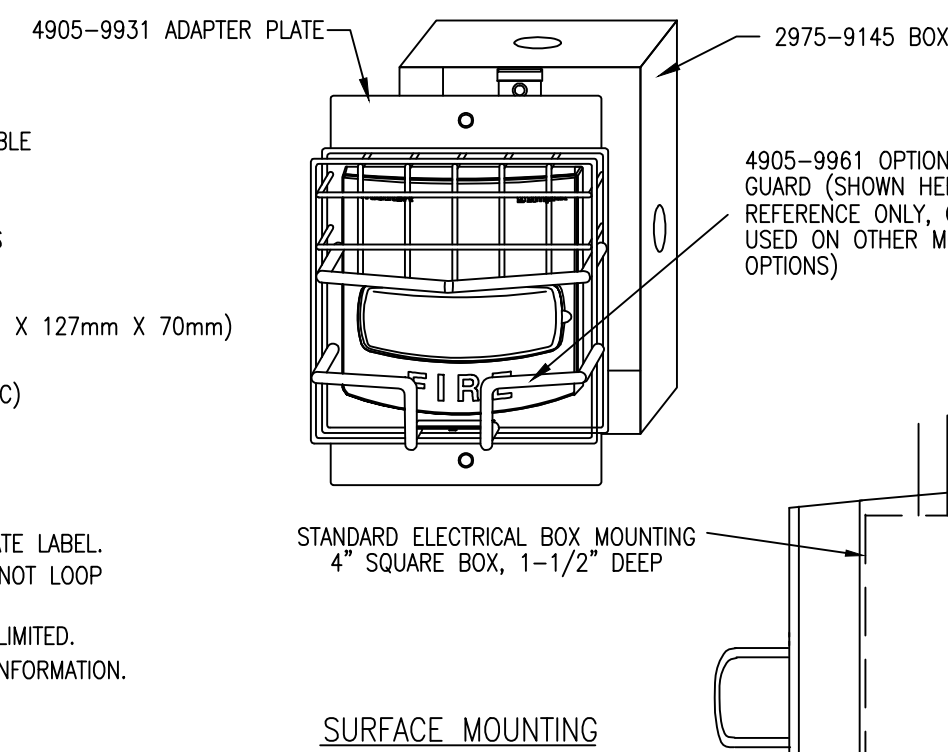
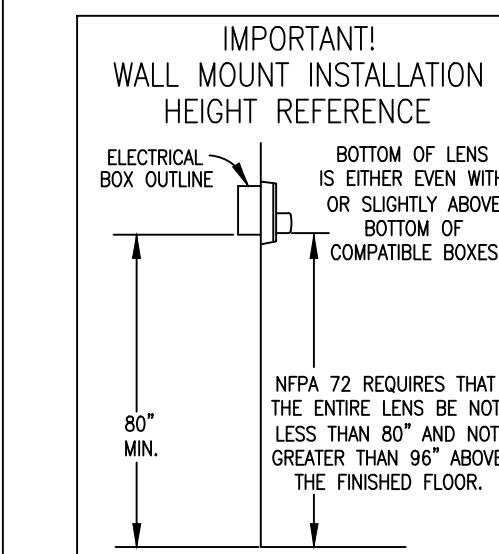
WIRING:

- NOTIFICATION APPLIANCES ARE RATED PER INDIVIDUAL NAMEPLATE LABEL.
- MAINTAIN CORRECT POLARITY ON TERMINAL CONNECTIONS. DO NOT LOOP WIRES UNDER TERMINALS.
- ALL NAC WIRING CONNECTIONS ARE SUPERVISED AND POWER-LIMITED.
- SEE INSTALLATION INSTRUCTIONS (579-859) FOR ADDITIONAL INFORMATION.

STROBE:

- RATED VOLTAGE RANGE: UL LISTED: 16 VDC TO 33 VDC PER UL 1971
ULC LISTED: 20 VDC TO 30 VDC PER ULC S526-M878
- FLASH RATE: 1Hz
- SYNCHRONIZED MODE NAC LOADING: MAXIMUM OF 35 SYNCHRONIZED STROBES PER NAC CIRCUIT.
- *CURRENT DRAWS REFLECT STROBE FLASHING

MODEL NUMBER	HOUSING COLOR	LETTERING COLOR	STROBE RATING	RMS CURRENT @		
				16 VDC	18 VDC	24 VDC
4906-9109	RED	WHITE	135cd	314 mA	279 mA	209 mA
			177cd	390 mA	347 mA	260 mA
			185cd	409 mA	364 mA	273 mA
4906-9111	WHITE	RED	135cd	314 mA	279 mA	209 mA
			177cd	390 mA	347 mA	260 mA
			185cd	409 mA	364 mA	273 mA



SURFACE MOUNTING

SURFACE MOUNT ADAPTER SKIRT
1 5/8" (41mm) DEEP.
CONDUIT CUTOUPS ARE PROVIDED ON ALL FOUR SIDES.

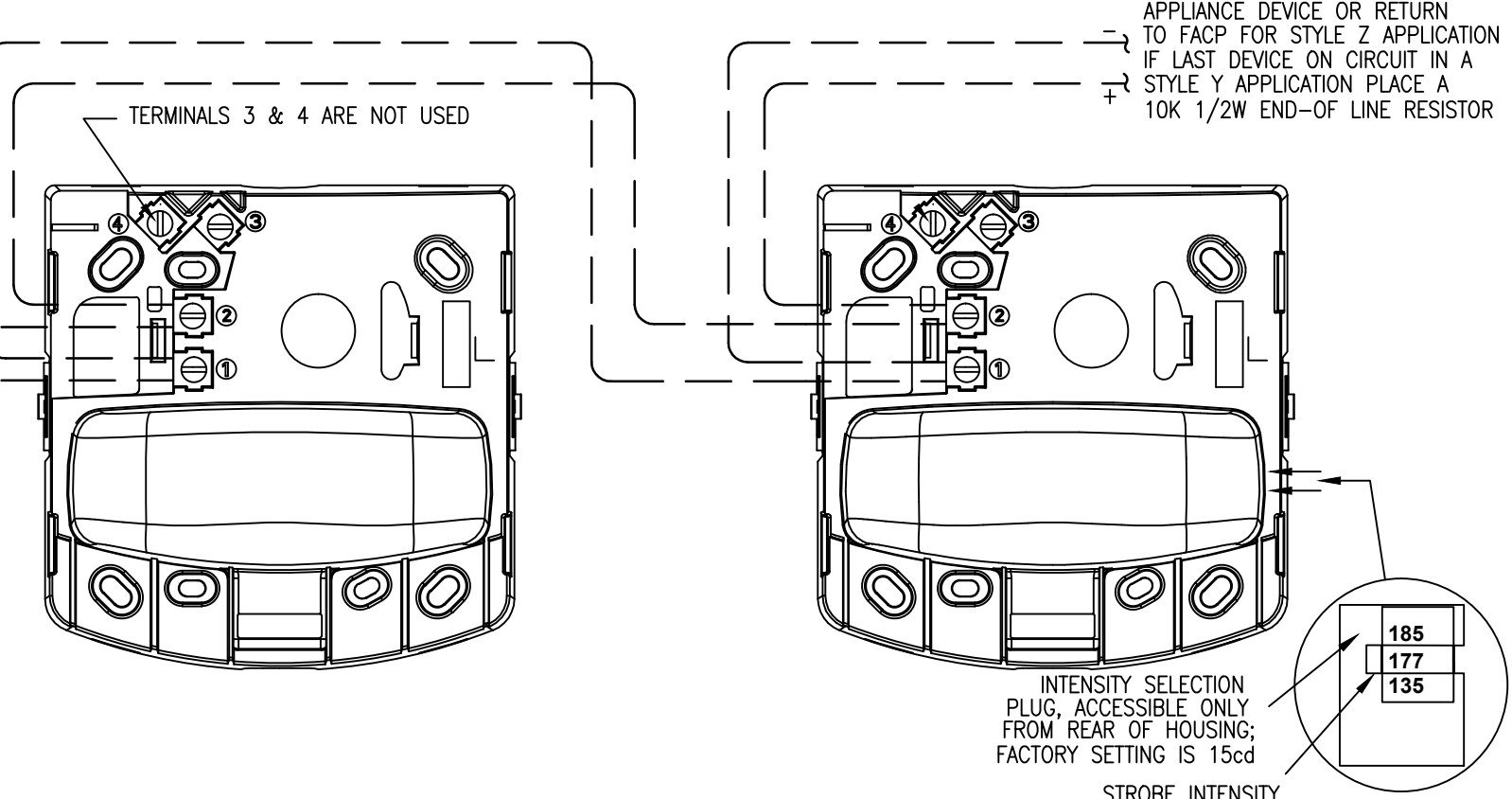
WHEN SURFACE MOUNTING USE
RED SKIRT NO. 4905-9937 OR
WHITE SKIRT NO. 4905-9940

4" SQUARE x 1-1/2" DEEP BOX

ALTERNATE BACK BOXES
1. 2 GANG 1-1/2" DEEP BOX
2. SINGLE GANG 1-1/2" DEEP BOX

SEMI-FLUSH MOUNTING

TO ADDITIONAL NOTIFICATION
APPLIANCE DEVICE OR RETURN
TO FACTORY FOR STYLE Z APPLICATION
IF LAST DEVICE ON CIRCUIT IN A
STYLE Y APPLICATION PLACE A
10K 1/2W END-OF LINE RESISTOR



FROM A COMPATIBLE SIMPLEX
SMARTSYNC NAC OR FROM
SMARTSYNC CONTROL
MODULE (SCM) 4905-9938
OR SIMPLEX 4905-9914
OR 9922 SYNC CUBE

TrueAlert™ NON-ADDRESSABLE MULTI-CANDELA AUDIBLE/VISIBLE NOTIFICATION APPLIANCE

PRODUCT INFORMATION

FEATURES:

- UL LISTED TO STANDARD 1971 FOR INDOOR APPLICATIONS WITH SELECTABLE STROBE INTENSITY SETTINGS
- UL LISTED TO STANDARD 1638 FOR OUTDOOR APPLICATIONS
- UL LISTED TO STANDARD 464
- INDOOR APPLICATIONS ARE ADA COMPATIBLE
- SYNCHRONIZATION FLASH RATE MODE FOR USE WITH:
 - SEPARATE STROBE SYNCHRONIZATION MODULES THAT ARE AVAILABLE FOR CLASS B OR CLASS A OPERATION
 - SEPARATE SMARTSYNC CONTROL MODULES (SCMs) THAT PROVIDE CLASS B OR CLASS A OUTPUT FROM CONVENTIONAL NAC INPUTS

SPECIFICATIONS:

- HOUSING DIMENSIONS: 5-1/8" H X 5" W X 2-3/4" D (130mm X 127mm X 70mm)
- UL 1971 LISTED TEMPERATURE RANGE: 32°F TO 122°F (0°C TO 50°C)
- UL 1638 LISTED TEMPERATURE RANGE: -31°F TO 150°F (-35°C TO 66°C)
- UL 464 LISTED TEMPERATURE RANGE: 32°F TO 122°F (0°C TO 50°C)
- UL 1971 LISTED HUMIDITY RANGE: 10% TO 93% NON-CONDENSING AT 100°F (38°C)
- UL 1638 LISTED HUMIDITY RANGE: UP TO 98% AT 104°F (40°C)
- TERMINAL BLOCKS FOR 18AWG TO 12AWG; TWO WIRES PER TERMINAL FOR IN/OUT WIRING.

WIRING:

- NOTIFICATION APPLIANCES ARE RATED PER INDIVIDUAL NAMEPLATE LABEL.
- MAINTAIN CORRECT POLARITY ON TERMINAL CONNECTIONS. DO NOT LOOP WIRES UNDER TERMINALS.
- ALL NAC WIRING CONNECTIONS ARE SUPERVISED AND POWER-LIMITED.
- SEE INSTALLATION INSTRUCTIONS (579-857) FOR ADDITIONAL INFORMATION.

AUDIBLE:

- RATED VOLTAGE RANGE: UL LISTED: 16 VDC TO 33 VDC PER UL 464
- HORN OUTPUT

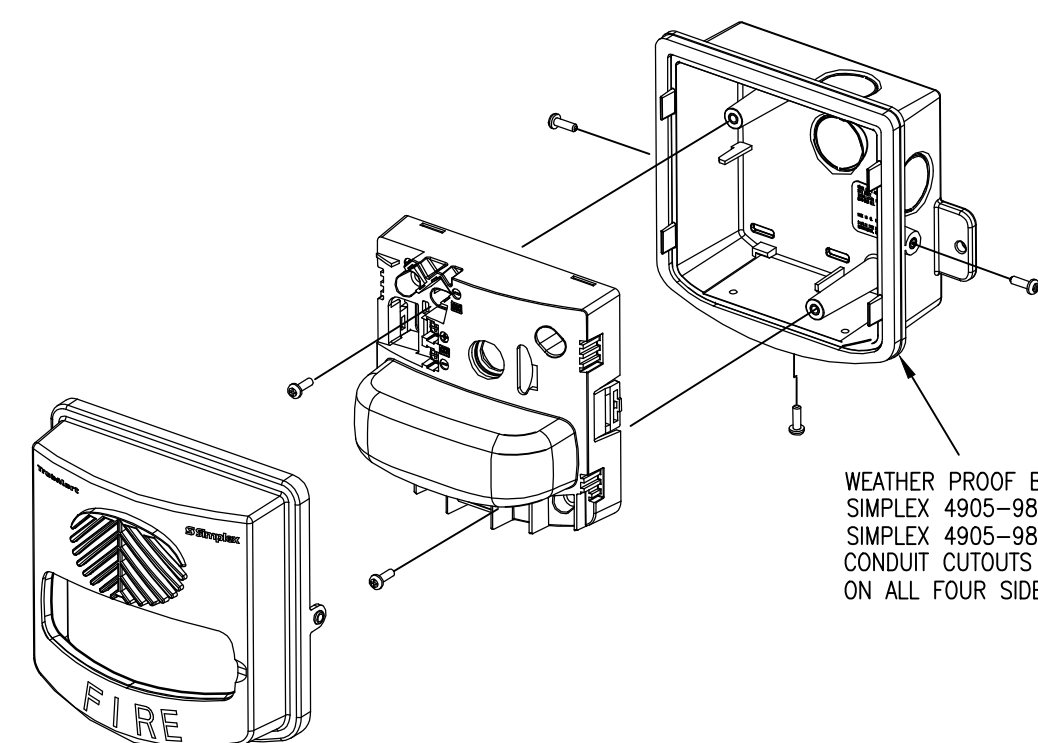
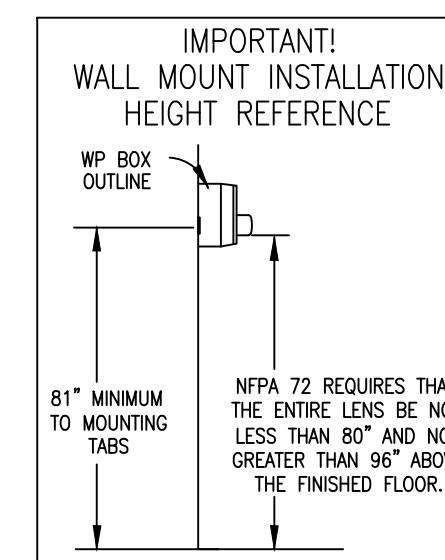
CHAMBER	16 VDC		24 VDC		33 VDC	
	STEADY	CODED	STEADY	CODED	STEADY	CODED
REVERBERANT	81 DBA	76 DBA	84 DBA	79 DBA	86 DBA	82 DBA
ANECHOIC	96 DBA	93 DBA	99 DBA	96 DBA	101 DBA	98 DBA

STROBE:

- RATED VOLTAGE RANGE: UL LISTED: 16 VDC TO 33 VDC PER UL 1971, UL 1638 AND UL 464
- FLASH RATE: 1Hz
- NAC LOADING: MAXIMUM OF 24 STROBES PER NAC CIRCUIT.
- *CURRENT DRAWS REFLECT STROBE FLASHING WITH AUDIBLE ON

MODEL NUMBER	HOUSING COLOR	LETTERING COLOR	STROBE RATING	UL 1971 RATINGS @ 32°F TO 122°F (0°C TO 50°C)		
				16 VDC	18 VDC	24 VDC
4906-9131	RED	WHITE	15cd	91 mA	81 mA	61 mA
			75cd	204 mA	181 mA	136 mA
			75cd	249 mA	221 mA	166 mA
4906-9132	WHITE	RED	15cd	205 mA	182 mA	137 mA
			75cd	277 mA	246 mA	185 mA
			75cd	277 mA	246 mA	185 mA

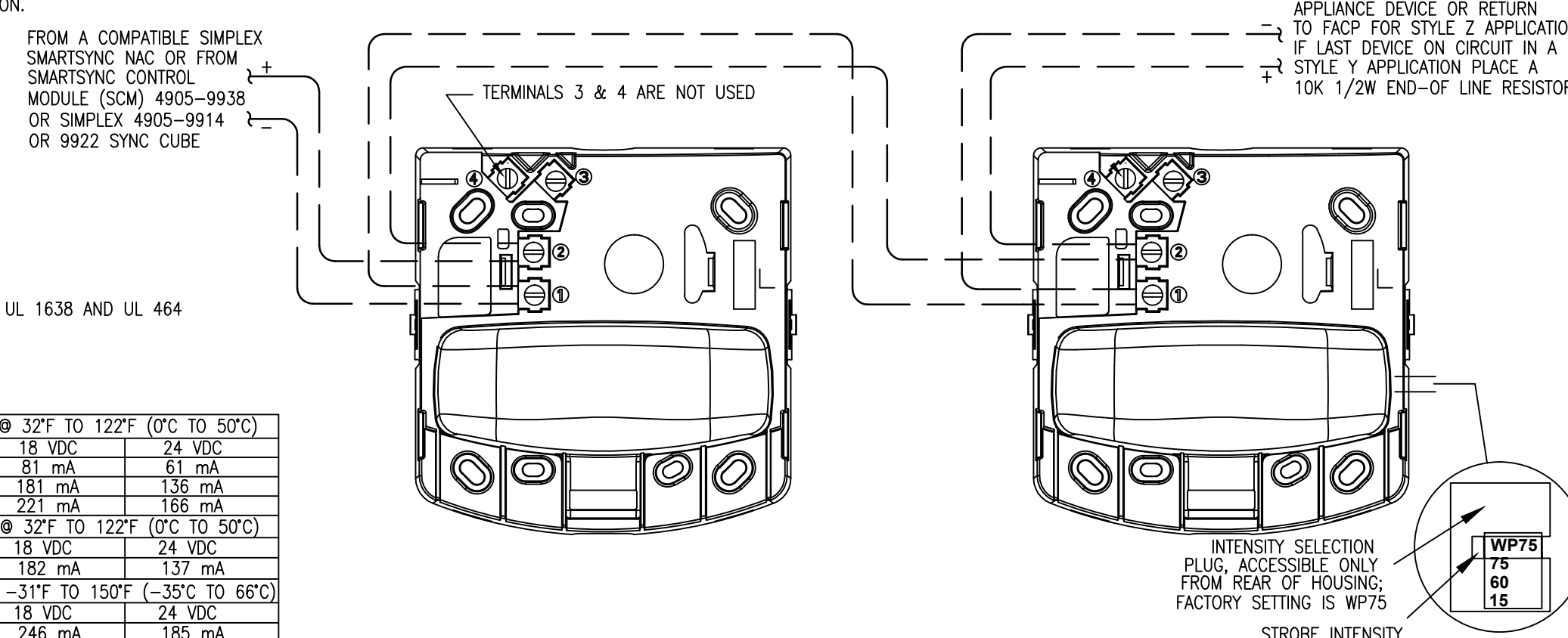
WEATHERPROOF



SURFACE MOUNTING

WEATHER PROOF BOX 1-1/2" DEEP
SIMPLEX 4905-9928 RED
SIMPLEX 4905-9929 WHITE
CONDUIT CUTOUPS ARE PROVIDED ON ALL FOUR SIDES.

TO ADDITIONAL NOTIFICATION
APPLIANCE DEVICE OR RETURN
TO FACTORY FOR STYLE Z APPLICATION
IF LAST DEVICE ON CIRCUIT IN A
STYLE Y APPLICATION PLACE A
10K 1/2W END-OF LINE RESISTOR



AIR PRODUCTS PAM-1 MULTI-VOLTAGE CONTROL RELAY

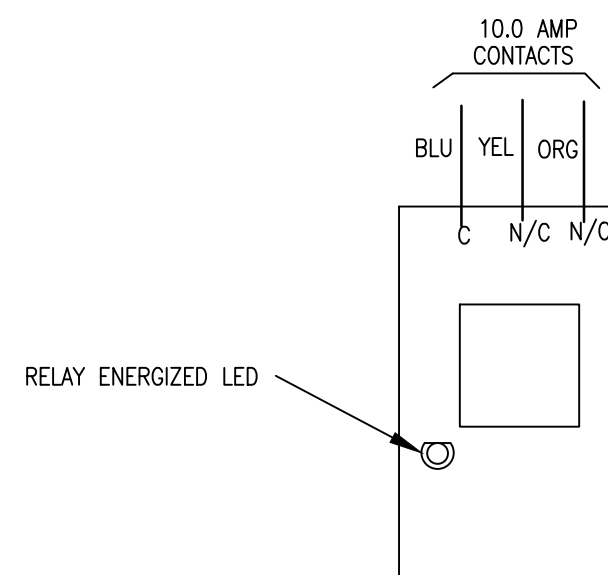
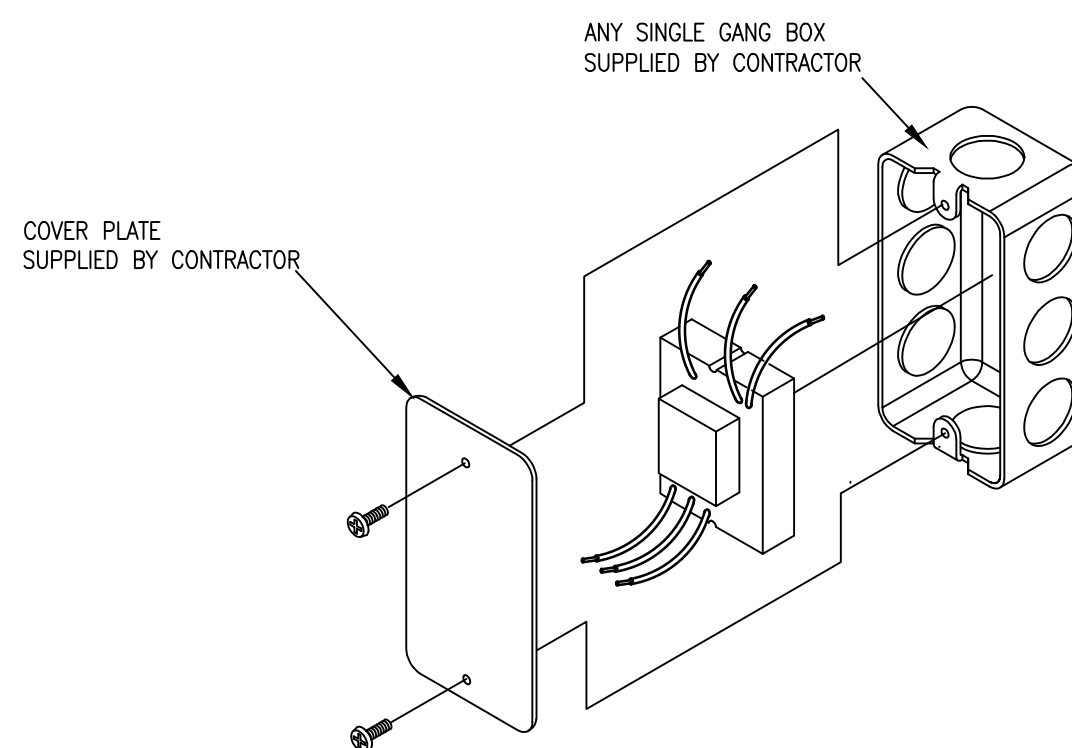
(SIMPLEX 2088-9021)

SPECIFICATIONS:

- POWER REQUIREMENTS: 15 mA PER POSITION @ 24 VDC, 24VAC, 115 VAC
- RELAY: UL RECOGNIZED SPDT
- CONTACT RATING: 10 AMPS @ 115VAC
- AMBIENT TEMPERATURE: -58° F TO 185° F (-50°C TO 85°C)
- APPROVALS: UL RECOGNIZED COMPONENTS
- DIMENSIONS: 1-1/2" H X 1" W X 7/8" D (38.1mm H X 25.4mm W X 22.25mm D)
- 6" 18 AWG WIRE LEADS

WIRING:

- ALL WIRING TO COMPLY WITH LOCAL CODE.
- MAINTAIN CORRECT POLARITY
- CONDUCTORS MUST TEST FREE OF ALL GROUNDS.



115VAC @ 15 mA	N	H	X
24VAC @ 15mA	N	C	X
24VDC @ 15mA	C	(+)	X

4901-9820 ELECTRONIC HORN AUDIBLE NOTIFICATION APPLIANCE

PRODUCT INFORMATION

FEATURES:

- FREE-RUN, CONTROLLED FROM A STANDARD FIRE ALARM CONTROL PANEL NOTIFICATION APPLIANCE CIRCUIT (NAC) OR SIMPLEX SMARTSYNC TWO-WIRE CONTROL
- HORN CONTROL CAN BE SELECTED TO BE TEMPORAL CODED, MARCH TIME CODED, OR ON CONTINUOUSLY, WITH STROBE APPLIANCES ON THE SAME CIRCUIT OPERATING AT A SYNCHRONIZED 1 Hz FLASH RATE.
- CLASS B (STYLE Y) OPERATION REQUIRES CONNECTION TO A COMPATIBLE SIMPLEX SMARTSYNC NAC OR TO SMARTSYNC CONTROL MODULE (SCM) 4905-9938
- CLASS A (STYLE Z) OPERATION IS SUPPORTED BY USING THE 4905-9938 SCM
- HOUSING DIMENSIONS (INCLUDING LENS) : 5 1/8" H X 5" W X 1 1/2" D (130 MM X 127 MM X 70 MM)
- HOUSING COLOR: RED WITH WHITE "FIRE" LETTERING
- TEMPERATURE RANGE: 32° F TO 122° F (0° TO 50° C)
- HUMIDITY RANGE: 10% TO 93% NON-CONDENSING AT 100° F (38° C)
- CONNECTIONS TERMINAL BLOCKS FOR #18 AWG TO #12 AWG (SOLID)
- RATED VOLTAGE RANGE: 16 TO 33 VDC
- SOUND OUTPUT CHARACTERISTICS: 2400 TO 3700 Hz SWEEP, MODULATED AT 120 Hz RATE

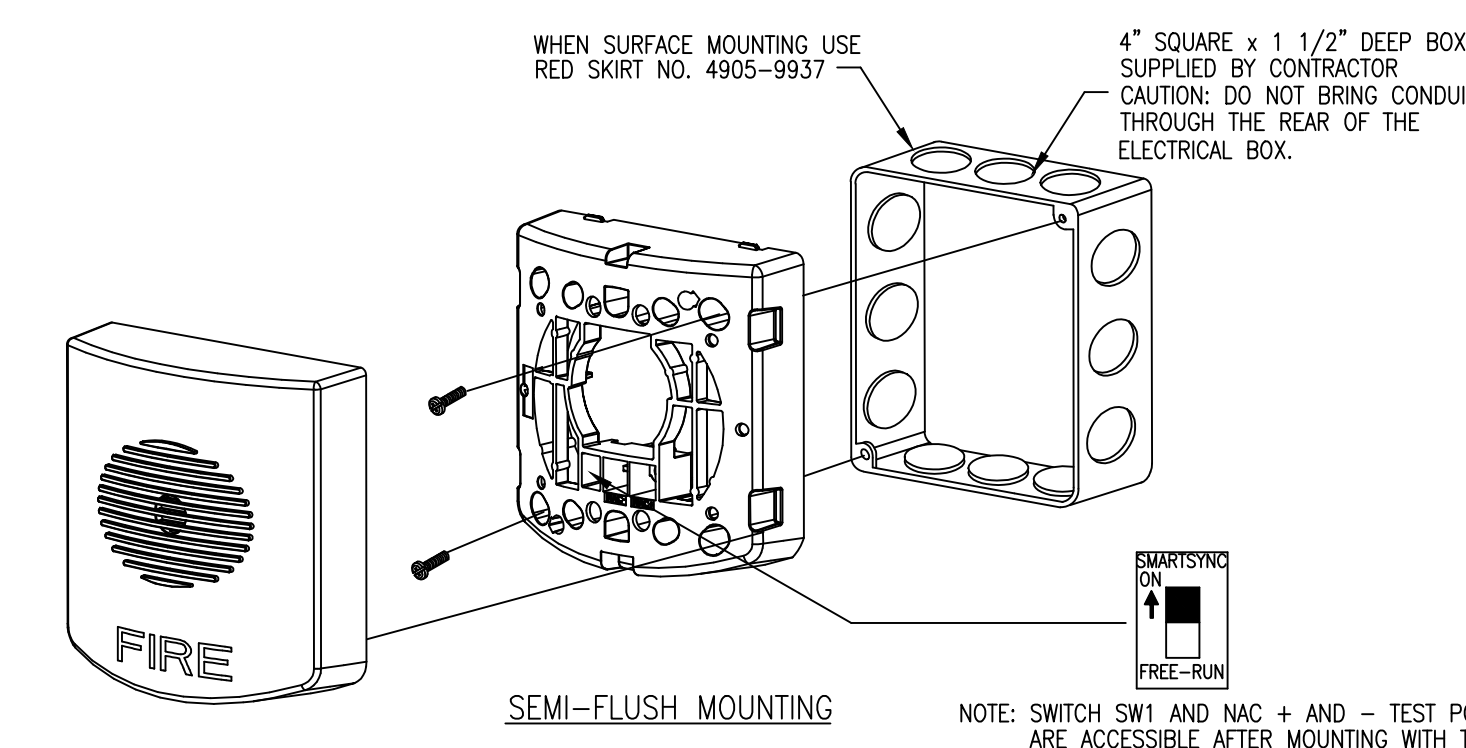
DESCRIPTION:

- STANDARD (FREE-RUN) OPERATION MODE: IN FREE-RUN MODE, A POSITIVE VOLTAGE FROM THE CONTROLLING NAC WILL ACTIVATE THE HORN ACCORDING TO THE DESIRED OUTPUT OF CONTINUOUS OR CODED OUTPUT PER THE NAC'S CAPABILITIES.
- SMARTSYNC MODE: WHEN SELECTED FOR THE SMARTSYNC MODE AND USED WITH COMPATIBLE SIMPLEX CONTROL, THIS HORN CAN BE WIRED ONTO THE SAME TWO-WIRE NAC CIRCUIT AS VISIBLE APPLIANCES BUT WITH A SEPARATELY CONTROLLED OPERATION. TYPICAL APPLICATIONS ARE AUDIBLE NOTIFICATION ACTIVATED AS "ON-UNIT-SILENCED" AND VISIBLE NOTIFICATION APPLIANCES ACTIVATED "ON-UNIT-RESET". IN ADDITION, VISIBLE APPLIANCES (STROBES) ON THE SAME CIRCUIT ARE ACTIVATED WITH SYNCHRONIZED FLASHES (SYNC MODE).

CURRENT RATINGS			
VOLTAGE	16 VDC	24 VDC	33 VDC
CURRENT	21 mA	23 mA	27 mA

HORN SOUND OUTPUT RATINGS @ 10 FT. (3m)						
VOLTAGE	22 VDC		24 VDC		33 VDC	
	STEADY	CODED	STEADY	CODED	STEADY	CODED
REVERBERANT CHAMBER	86 dBA	83 dBA	89 dBA	85 dBA	92 dBA	88 dBA
UL 464 TEST	90 dBA	86 dBA	91 dBA	86 dBA	92 dBA	88 dBA

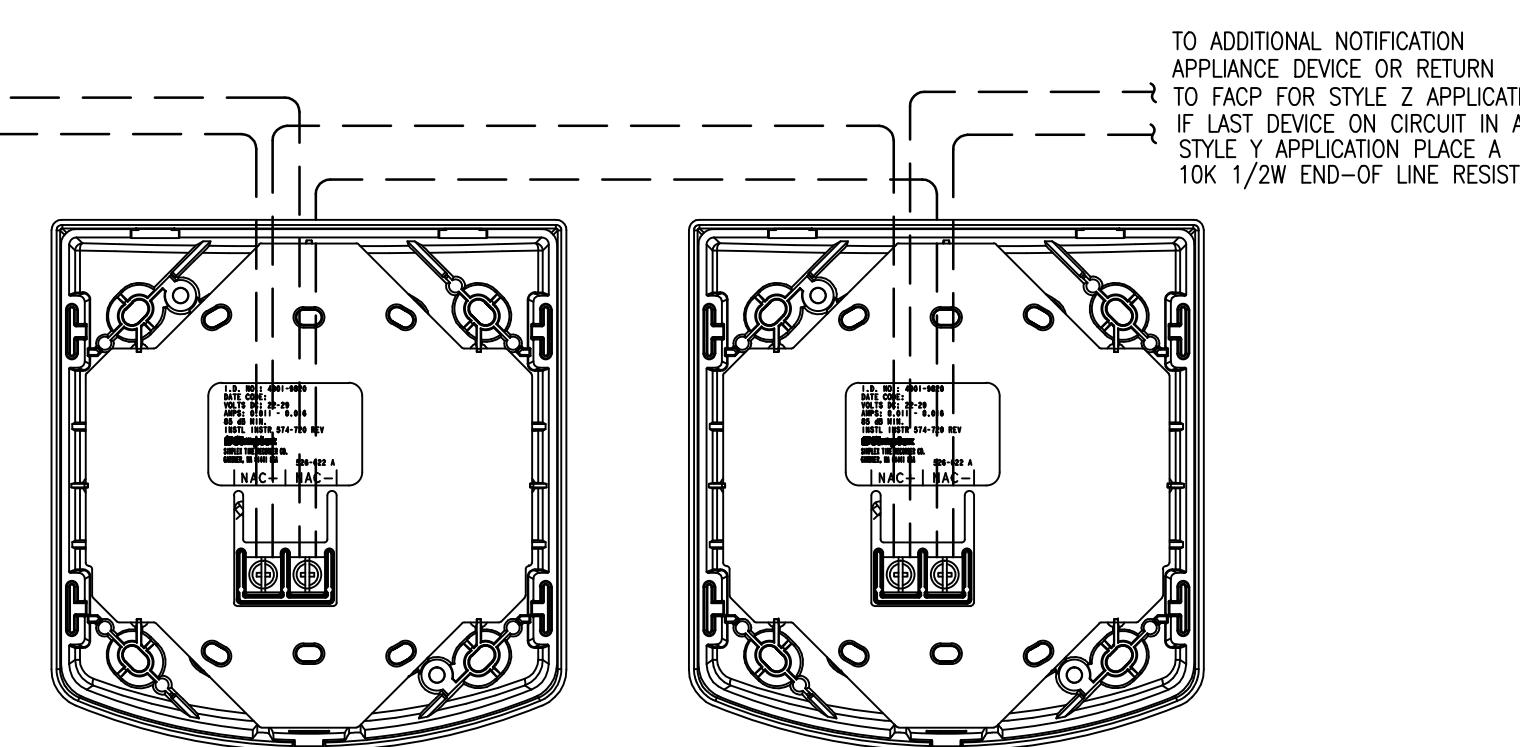
- CODED VALUES ARE TYPICAL OF THE OUTPUT MEASURED WITH A TEMPORAL CODED OR A MARCH TIME CODED PULSE AND WITH A SOUND LEVEL METER READING ON A "FAST" SETTING UNDER THE SAME TEST CONDITIONS. CODED HORN OUTPUT "PEAK" SOUND LEVEL READINGS ARE TYPICALLY 4 dBA HIGHER.



SEMI-FLUSH MOUNTING

NOTE: SWITCH SW1 AND NAC + AND - TEST POINTS ARE ACCESSIBLE AFTER MOUNTING WITH THE COVER REMOVED.

FROM A COMPATIBLE SIMPLEX
SMARTSYNC NAC OR FROM
SMARTSYNC CONTROL
MODULE (SCM) 4905-9938



20 THOMAS DRIVE
WESTBROOK, ME 04092
207-842-6440
SALES
207-842-6440
SERVICE
207-842-6439
FAX

CHG BY	DATE	REVISION DESCRIPTION
JS	7/19/13	REvised PER ENGINEERS REVIEW COMMENTS DATED 7/19/13 & 8/5/13
SK	8/29/13	REvised PER SUBMITTAL REVIEW DATED 8/29/13
	10/07/13	REvised PER SUBMITTAL REVIEW DATED 10/7/13

FIRE ALARM & AREA OF REFUGE SYSTEMS
DEVICE WIRING DETAILS

HYATT PLACE PORTLAND - OLD PORT
433 FORE STREET
PORTLAND, ME

DRAWN BY: LORION	DATE: 6/14/13
CHECKED BY: KALAFARSKI	DATE: 7/12/13
PROJECT NUMBER: 971237001	
SHEET TITLE: FIRE ALARM SYSTEM DEVICE WIRING DETAILS	
SHEET NUMBER: FA-705	

FA-705.dwg