

### 4090-9002 IDNet, INDIVIDUAL ADDRESSABLE MODULE RELAY (IAM)

#### PRODUCT INFORMATION

##### FEATURES:

- UL LISTED
- A SINGLE ADDRESSABLE POINT BOTH CONTROLS A 2A FORM C CONTACT AND TRACKS ITS STATUS
- COMPATIBLE WITH SIMPLEX MODEL 4010 AND 4100 ADDRESSABLE FIRE ALARM CONTROL PANEL
- LATCHING RELAY DESIGN ALLOWS DATA AND POWER TO BE BOTH SUPPLIED BY IDNet COMMUNICATIONS
- COMPACT, SEALED CONSTRUCTION
  - SCREW TERMINALS FOR WIRING CONNECTIONS
  - REDUCES DUST INFILTRATION

##### SPECIFICATIONS:

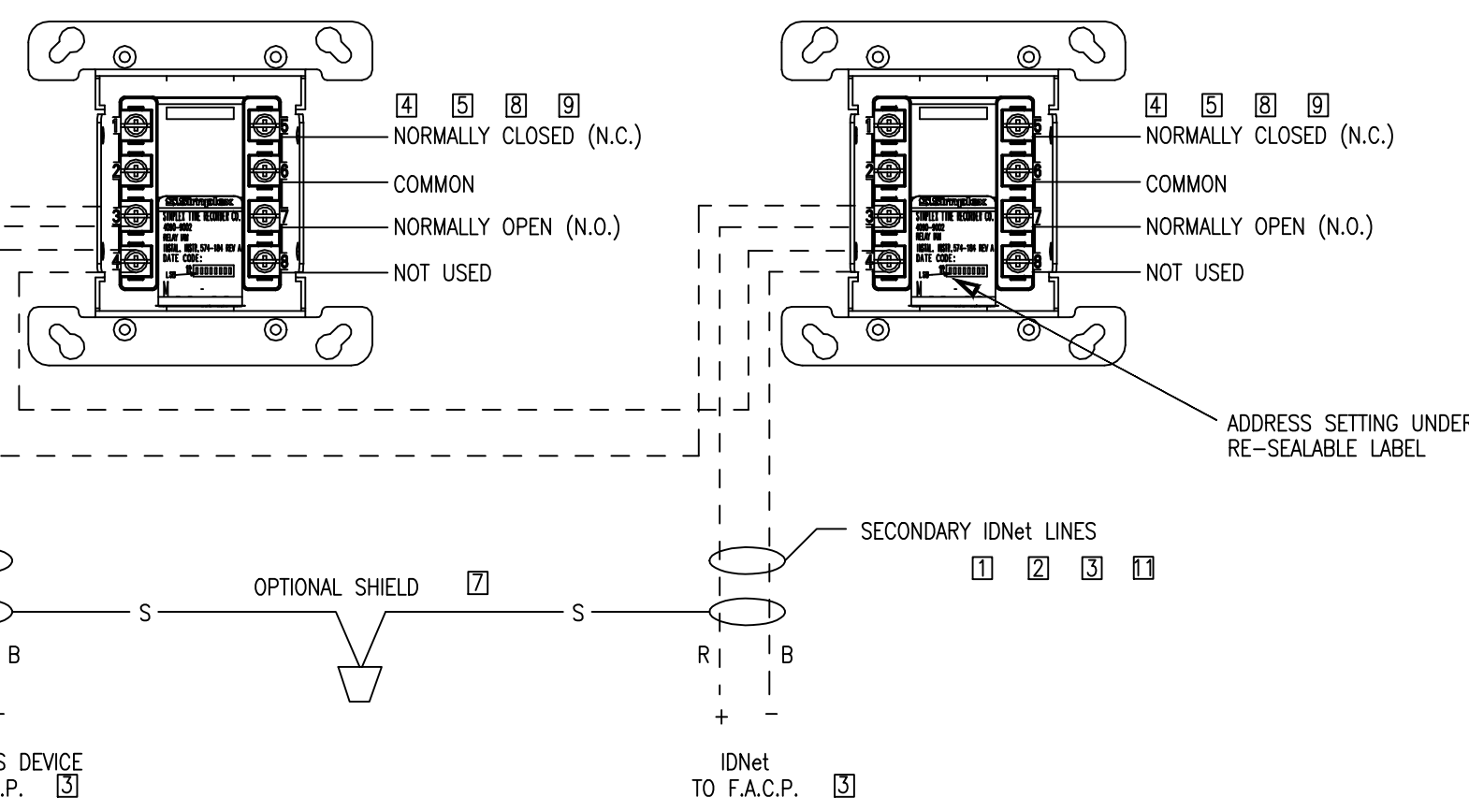
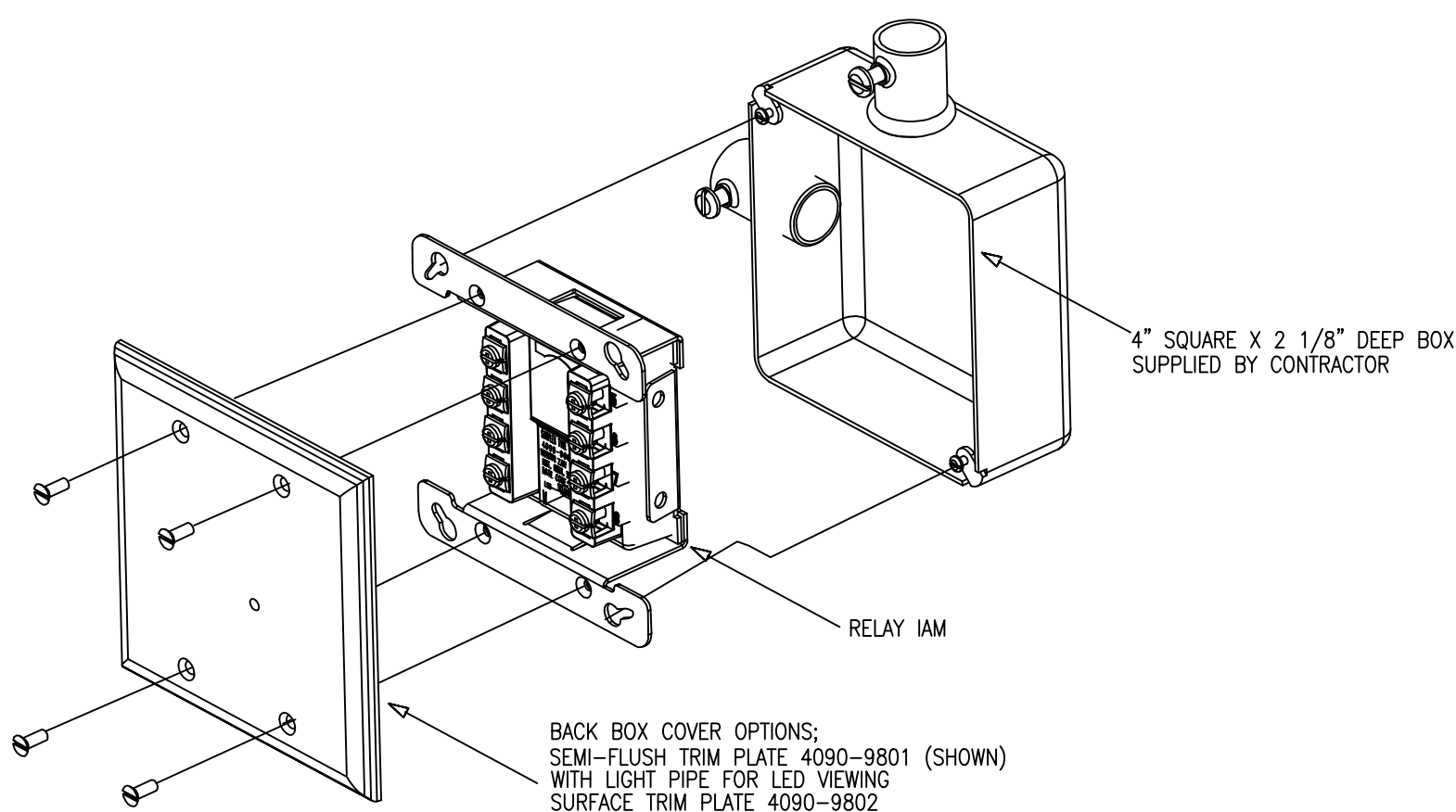
- RELAY IAM POWER: SUPPLIED BY IDnet COMMUNICATIONS
- RELAY IAM CONTACTS (FORM "C", SPDT)
- POWER LIMITED RATING: 2A @ 24VDC, TRANSIENT SUPPRESSED LOADS, 1A @ 24VDC FOR INDUCTIVE LOADS
- NON POWER LIMITED RATING: 1/2A @ 24VAC, TRANSIENT SUPPRESSED LOADS, 1A @ 24 VDC FOR INDUCTIVE LOADS
- WIRE CONNECTIONS: SCREW TERMINALS FOR IN/OUT WIRING, #18 TO #14 AWG WIRE
- COMPATIBLE WITH SIMPLEX 2081-9044 OVER VOLTAGE PROTECTORS
- DIMENSIONS: 4 1/8" H x 4 1/8" W x 1 3/8" D (105mm x 105mm x 35mm)
- HOUSING MATERIAL: BLACK THERMOPLASTIC
- MOUNTING PLATE MATERIAL: SHEET METAL, GALVANIZED
- TEMPERATURE RANGE: 32° F TO 120° F (0° C TO 49° C) INTENDED FOR INDOOR OPERATION
- HUMIDITY RANGE UP TO 93% RH AT 100° F (38° C)

##### DESCRIPTION:

IDnet RELAY IAMs ALLOW THE SIMPLEX FIRE ALARM CONTROL PANEL TO CONTROL A REMOTELY LOCATED FORM "C" CONTACT USING IDnet ADDRESSABLE COMMUNICATIONS FOR BOTH DATA AND POWER. TYPICAL APPLICATIONS WOULD BE FOR SWITCHING LOCAL POWER FOR CONTROL FUNCTIONS SUCH AS ELEVATOR CAPTURE, OR CONTROL OF HVAC COMPONENTS, PRESSURIZATION FANS, DAMPERS, ETC. RELAY STATUS IS ALSO COMMUNICATED REQUIRING ONLY ONE DEVICE ADDRESS.

##### WIRING NOTES:

- IDnet LINES ARE TO BE #18 AWG TWISTED PAIR (CONSULT SITE SALES ENGINEERING FOR EXCEPTIONS) SHIELD RECOMMENDED.
- MAXIMUM ALLOWABLE LINE RUN, FROM THE F.A.C.P. TO THE FARTHEST DEVICE, NOT TO EXCEED 2500 FEET.
- MAXIMUM QUANTITY OF DEVICES PER CIRCUIT: CONTROL PANEL MODULE DEPENDENT
- CONTRACTOR WIRING TO RELAY CONTACTS IS UNSUPERVISED. USE #14 AWG WIRE TO LOCAL CODE.
- RELAY CONTACTS RATED 2A, 24VDC (1A FOR INDUCTIVE LOAD) RELAY CONTACTS RATED 0.5A 120VAC (NON POWER LIMITED) FOR POWER-LIMITED OPERATION, POWER MUST BE PROVIDED FROM FACP OR POWER-LIMITED POWER SUPPLY LISTED FOR FIRE PROTECTIVE SIGNALING USE.
- SEE INSTALLATION INSTRUCTIONS 574-184.
- IF SHIELD IS PRESENT, IT SHOULD BE CONNECTED TO THE OUTGOING IDnet SHIELD TO PROVIDE A CONTINUOUS SHIELD OVER THE LENGTH OF THE IDnet CHANNEL.
- WHEN CONNECTED TO A NON POWER-LIMITED SOURCE, THE WIRING MUST MAINTAIN A MINIMUM 1/4 INCH SEPARATION FROM IDnet WIRING.
- WHEN USED WITH NON POWER-LIMITED SOURCE, THE "POWER LIMITED WIRING" INDICATION ON THE DEVICE LABEL MUST BE OBLITERATED.
- WHEN BOTH POWER-LIMITED AND NON POWER-LIMITED SOURCES ARE PRESENT, USE TYPE FPL, FPLR OR FPLP POWER LIMITED CABLE FOR POWER-LIMITED CIRCUITS.
- MAXIMUM TOTAL WIRE (INCLUDING ALL T-TAPS) ON CIRCUIT, FROM THE F.A.C.P. NOT TO EXCEED 10,000 FEET OR 586F. (CLASS B ONLY)
- REFER TO FIELD WIRING DIAGRAM 842-073



### TrueAlert™ NON-ADDRESSABLE MULTI-CANDELA VISIBLE NOTIFICATION APPLIANCE (WALL MOUNT)

#### PRODUCT INFORMATION

##### FEATURES:

- UL LISTED TO STANDARD 1971
- ADA COMPATIBLE
- SYNCHRONIZATION FLASH RATE MODE FOR USE WITH:
  - SEPARATE STROBE SYNCHRONIZATION MODULES THAT ARE AVAILABLE FOR CLASS B OR CLASS A OPERATION
  - SEPARATE SMARTSYNC CONTROL MODULES (SCMs) THAT PROVIDE CLASS B OR CLASS A OUTPUT FROM CONVENTIONAL NAC INPUTS

##### SPECIFICATIONS:

- HOUSING DIMENSIONS: 5-1/8" H X 5" W X 2-3/4" D (130mm X 127mm X 70mm)
- TEMPERATURE RANGE: 32°F TO 122°F (0 TO 50°C)
- HUMIDITY RANGE: 10% TO 93% NON-CONDENSING AT 100°F (38°C)
- TERMINAL BLOCKS FOR 18AWG TO 12AWG; TWO WIRES PER TERMINAL FOR IN/OUT WIRING.

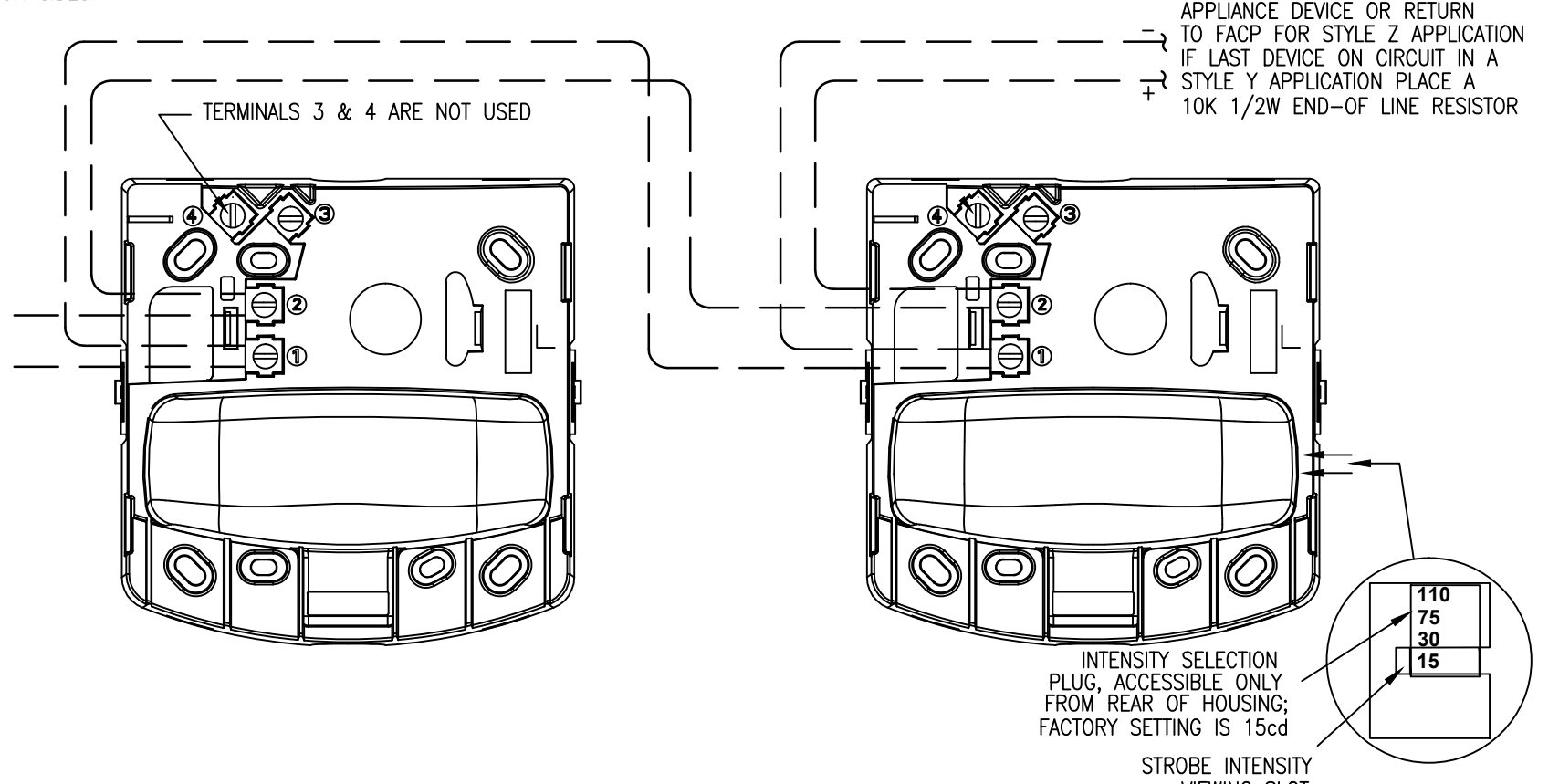
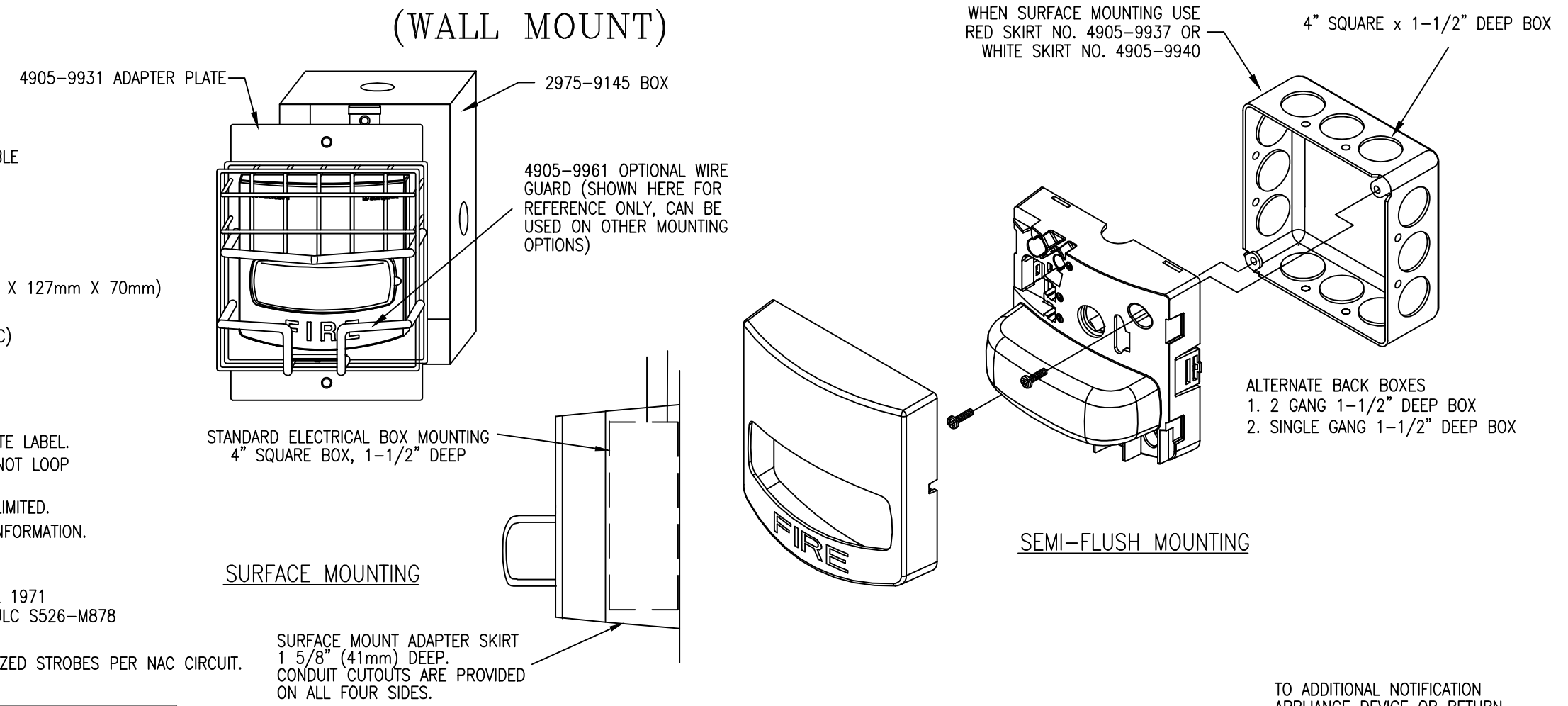
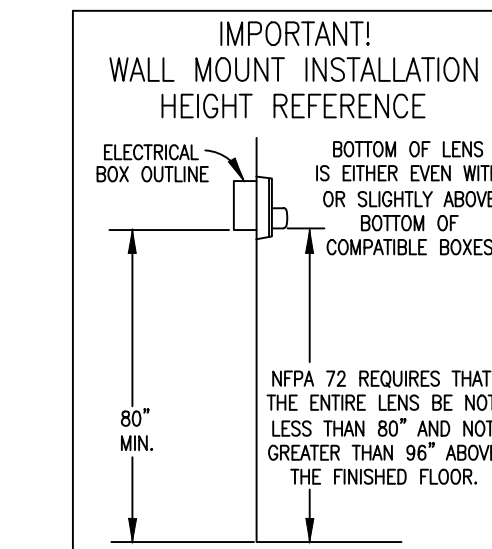
##### WIRING:

- NOTIFICATION APPLIANCES ARE RATED PER INDIVIDUAL NAMEPLATE LABEL.
- MAINTAIN CORRECT POLARITY ON TERMINAL CONNECTIONS. DO NOT LOOP WIRES UNDER TERMINALS.
- ALL NAC WIRING CONNECTIONS ARE SUPERVISED AND POWER-LIMITED.
- SEE INSTALLATION INSTRUCTIONS (579-548) FOR ADDITIONAL INFORMATION.

##### STROBE:

- RATED VOLTAGE RANGE: UL LISTED: 16 VDC TO 33 VDC PER UL 1971 ULC LISTED: 20 VDC TO 30 VDC PER ULC S528-M878
- FLASH RATE: 1Hz
- SYNCHRONIZED MODE NAC LOADING: MAXIMUM OF 35 SYNCHRONIZED STROBES PER NAC CIRCUIT.
- CURRENT DRAWS REFLECT STROBE FLASHING

MODEL NUMBER	HOUSING COLOR	LETTERING COLOR	STROBE RATING	16 VDC	18 VDC	24 VDC
4906-9101	RED	WHITE	15cd	80 mA	53 mA	40 mA
			30cd	94 mA	64 mA	49 mA
			75cd	186 mA	165 mA	124 mA
4906-9103	WHITE	RED	15cd	80 mA	53 mA	40 mA
			30cd	94 mA	64 mA	49 mA
			75cd	186 mA	165 mA	124 mA



#### PRODUCT INFORMATION

##### FEATURES:

- UL LISTED
- CALIFORNIA STATE FIRE MARSHAL LISTING NUMBERS: DH24120FPC DOOR HOLDERS 3550-1039-0100
- MOUNTING: WALL, SEMI-FLUSH
- FINISH: POWDERCOAT CHROME

##### SPECIFICATIONS:

- VOLTAGE: OPERATES WITH 24 VDC, 24 VAC, OR 120 VAC
- CURRENT: 20 mA

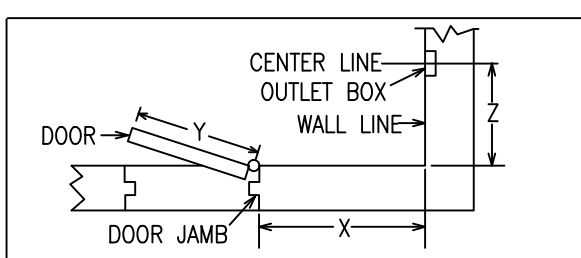
##### DESCRIPTION:

DH24120FPC MAGNETIC DOOR HOLDERS HAVE A MINIMUM HOLDING FORCE OF 40 LBS. UNDER NORMAL CONDITIONS, THE ELECTROMAGNET IS ENERGIZED TO HOLD OPEN THE DOOR. IN THE EVENT OF A FIRE, THE SIMPLEX FIRE ALARM CONTROL PANEL, OR AN APPROVED PERIPHERAL APPLIANCE, WILL AUTOMATICALLY INTERRUPT THE VOLTAGE TO THE DOOR HOLDER RELEASING THE DOOR TO PREVENT THE SPREAD OF SMOKE. DOORS MAY BE MANUALLY OPENED WHEN THE DOOR HOLDER IS ENERGIZED.

##### WIRING:

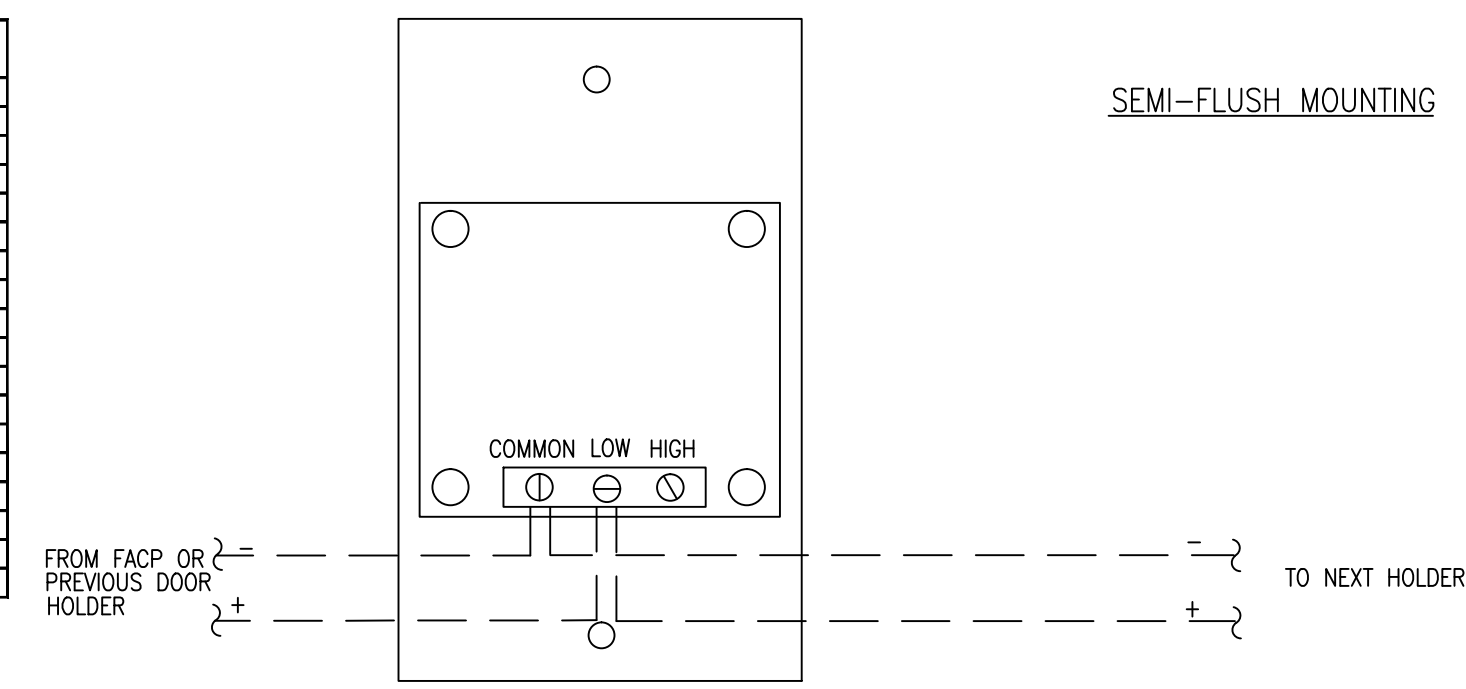
- ALL WIRING TO COMPLY WITH LOCAL CODE.
- MAINTAIN CORRECT POLARITY
- CONDUCTORS MUST TEST FREE OF ALL GROUNDS.

TO LOCATE AND MOUNT OUTLET BOX

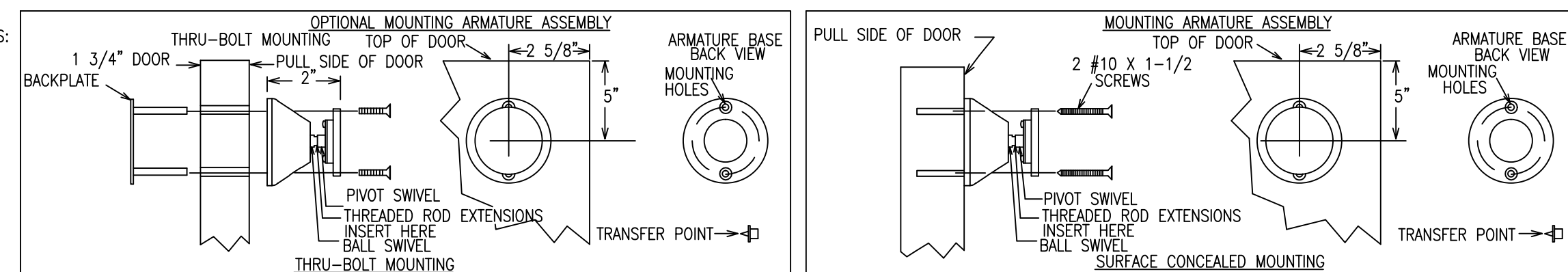


Y = DIMENSION OF DOOR		30	34	36	38	40	42	44	46	48
X	Z	26	28	29-7/8	32	34	36	38	40	42
Z = THE INTERSECTION OF X AND Y (THE DIMENSION BETWEEN WALL AND OUTLET BOX)										
2	26	28	29-7/8	32	34	36	38	40	42	43-7/8
4	26	28	29-7/8	32	34	36	38	40	42	43-7/8
6	25-7/8	27-5/8	29-5/8	31-3/4	33-3/4	35-3/4	37-3/4	39-3/4	41-3/4	43-5/8
8	25-1/4	27-1/4	29-1/4	31-3/8	33-1/2	35-1/2	37-3/8	39-1/2	41-1/2	43-3/8
10	24-5/8	26-3/4	28-3/4	30-7/8	33	35	37	39-1/8	41-1/8	43
12	23-3/4	25-7/8	28	30-1/8	32-1/4	34-3/8	36-3/8	38-1/2	40-5/8	42-1/2
14	23-3/4	25	27-1/4	29-3/8	31-1/2	33-3/4	35-7/8	38	40	42
16	21-3/4	24	26-1/4	28-1/2	30-3/4	33	35-1/8	37-1/4	39-3/8	41-3/8
18	20	22-1/2	25	27-3/8	29-3/4	32	34-1/4	36-1/2	38-5/8	40-5/8
20	18-1/4	21	23-1/2	26	28-1/2	30-7/8	33-1/8	35-1/2	37-5/8	39-5/8
22	18-3/4	21-5/8	24-3/8	27	29-3/8	31-3/4	34-1/8	36-1/2	38-5/8	40-3/4
24				22-1/2	25-1/2	28-1/8	30-5/8	33-1/8	35-5/8	37-7/8
26				26-1/4	29	31-5/8	34-1/4	36-1/2	38-5/8	
28				29-3/4	32-1/2	34-7/8	37-1/8	39-3/8	41-3/8	
30				27-3/4	30-5/8	33-1/8	35-5/8	38	40-3/4	
32										

- REFER TO DRAWING & CHART TO LOCATE OUTLET BOX.
- INSTALL THE OUTLET BOX ON THE HORIZONTAL CENTER LINE 5\"/>

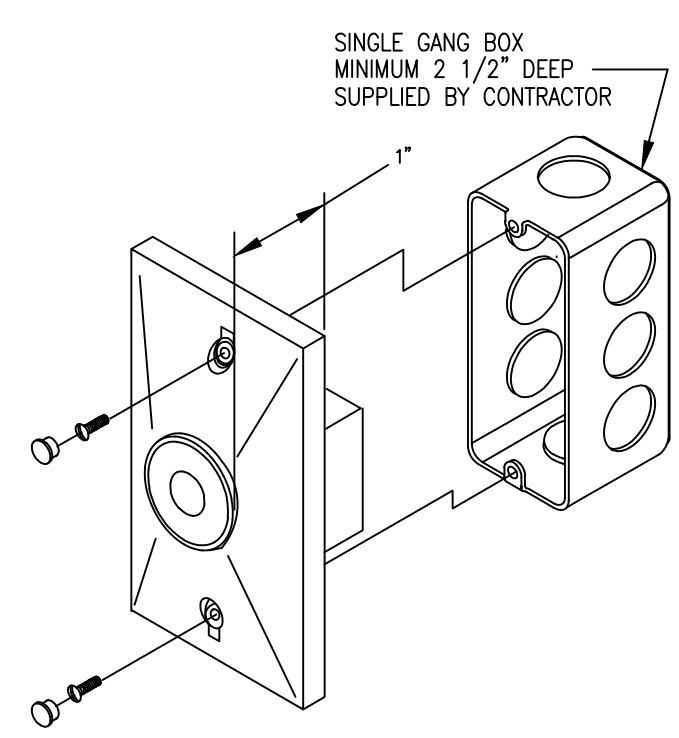


### DH24120FPC MAGNETIC DOOR HOLDER



##### MOUNTING ARMATURE INSTRUCTIONS

- WITH DOOR MAGNET SECURELY FASTENED, ALIGNED AND ENERGIZED, PROCEED WITH SWIVEL BASE ASSEMBLY.
- ATTACH SWIVEL PORTION OF MAGNET, BEING CAREFUL TO CENTER CATCH PLATE OVER MAGNET.
- WITH CATCH PLATE ASSEMBLY ATTACHED MAGNETICALLY TO DOOR MAGNET, PEEL ADHESIVE BACKING OFF MOUNTING TEMPLATE AND SLIDE OVER CATCH PLATE, MAKING SURE ADHESIVE SIDE FACES DOOR.
- GENTLY CLOSE DOOR AND WITH ONE HAND ADJUST BASE OF CATCH PLATE TO LIE FLAT AGAINST DOOR.
- WHILE KEEPING SLIGHT PRESSURE ON DOOR, SLIDE MOUNTING TEMPLATE OVER CATCH PLATE TO DOOR SURFACE AND APPLY PRESSURE TO TEMPLATE IN A FEW SPOTS.
- OPENING DOOR WILL REVEAL MOUNTING TEMPLATE. APPLY FINAL PRESSURE TO INSURE TEMPLATE DOES NOT FALL OFF WHILE ASSEMBLY TAKES PLACE.
- INSERT ALIGNMENT TEMPLATE INTO CENTER OF MOUNTING TEMPLATE. USE TAB TO ROTATE FOR FINE ADJUSTMENT. WHILE HOLDING ALIGNMENT TEMPLATE WITH ONE HAND, REMOVE ADHESIVE BACKING OF TAB, THEN PUSH FLAT AGAINST DOOR.
- IF USING OPTIONAL DOOR BACK PLATE, CENTER PUNCH POINTS INDICATED ON ALIGNMENT TEMPLATE FOR EITHER HORIZONTAL OR VERTICAL MOUNTING. FOR BEST RESULTS DRILL 1/8\"/>

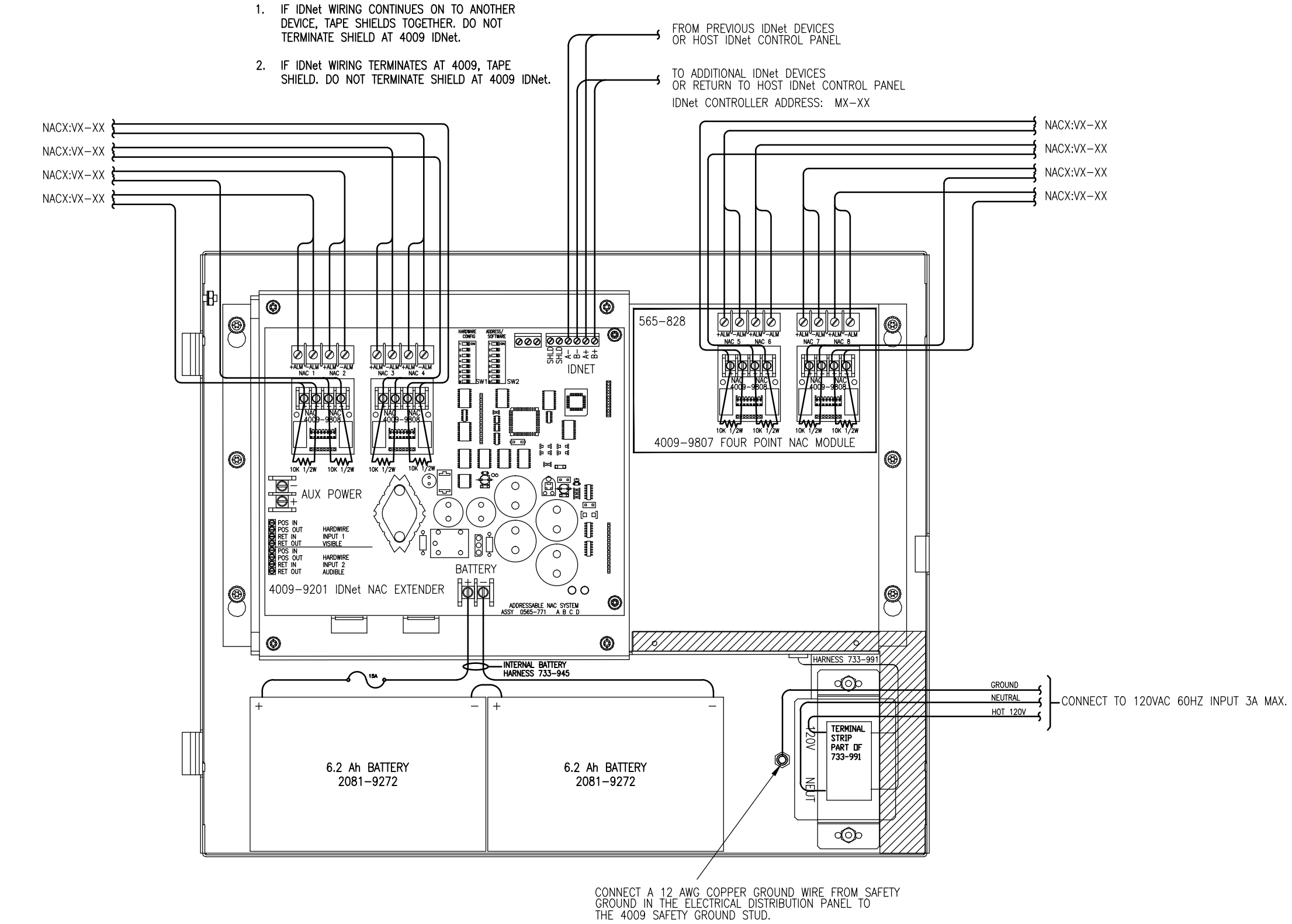


##### SEMI-FLUSH MOUNTING

### 4009-9201 NAC EXTENDER PANEL

IF OPTIONAL SHIELDS ARE USED FOR IDnet WIRING, FOLLOW THESE PRECAUTIONS.

- IF IDnet WIRING CONTINUES ON TO ANOTHER DEVICE, TAPE SHIELDS TOGETHER. DO NOT TERMINATE SHIELD AT 4009 IDnet.
- IF IDnet WIRING TERMINATES AT 4009, TAPE SHIELD. DO NOT TERMINATE SHIELD AT 4009 IDnet.



NO.	DATE	REVISION DESCRIPTION
1	8/14/13	REVISED PER ENGINEERS REVIEW COMMENTS DATED 7/19/13 & 8/5/13
2	9/10/13	REVISED PER SUBMITTAL REVIEW DATED 8/29/13
3	10/07/13	REVISED PER SUBMITTAL REVIEW DATED 10/1/13