

PRODUCT INFORMATION

2098-9806 REMOTE ALARM INDICATOR/KEY SWITCH

FEATURES:

- UL LISTED
- CALIFORNIA STATE FIRE MARSHAL LISTING NUMBERS: 2908-9806 ALARM INDICATOR 7300-0026:150
- MOUNTING: FLUSH
- FINISH: CHROME OR STAINLESS STEEL

SPECIFICATIONS:

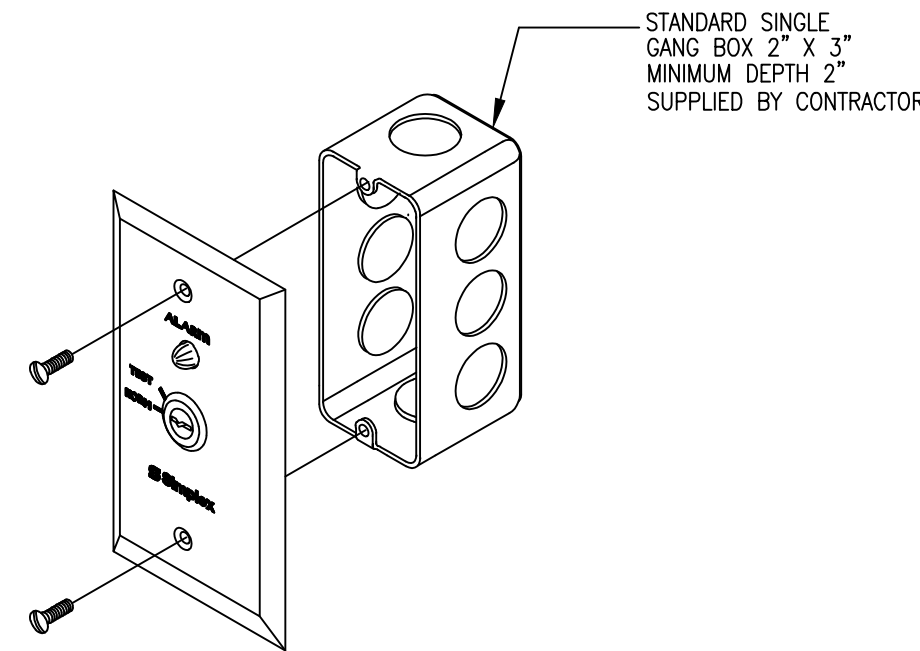
- ALARM CURRENT: 2.8 mA
- DIMENSIONS OF BOX: 2" W X 3" H X 2" D

DESCRIPTION:

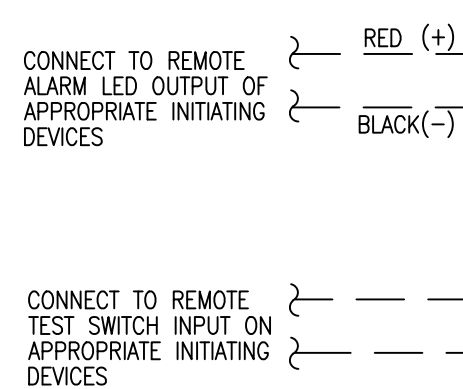
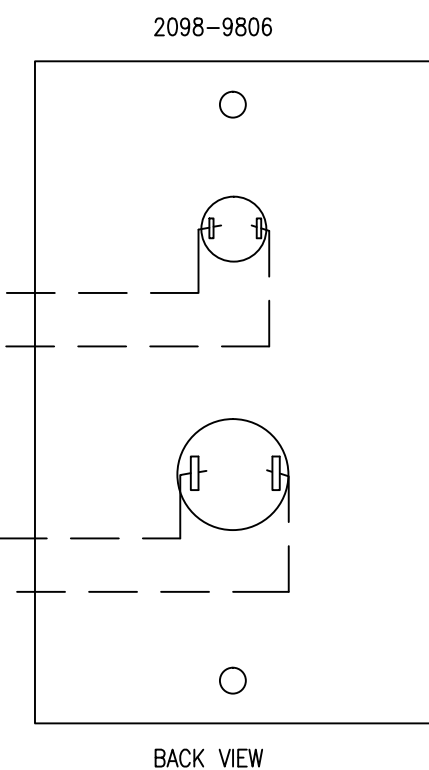
2098-9806 REMOTE TEST STATION, PROVIDES A REMOTE RED ALARM LED STATUS INDICATOR AND A REMOTE TEST KEY ACTIVATED SWITCH MOUNTED ON A SINGLE GANG STAINLESS STEEL PLATE. THE LED WILL PULSE TO INDICATE NORMAL OPERATION OF THE DUCT DETECTOR AND WILL ENERGIZE CONTINUOUS WHEN IN ALARM OR IN TROUBLE. (THE EXACT STATUS OF THE SENSOR WILL BE DISPLAYED AT THE FIRE ALARM CONTROL PANEL.) TURNING THE TEST SWITCH TO "TEST" WILL INITIATE AN ALARM AND ALLOW THE RESULTING SYSTEM RESPONSES TO BE VERIFIED.

WIRING:

- MINIMUM 18 AWG OR TO LOCAL CODE.
- CONDUCTORS MUST BE FREE OF ALL GROUNDS.
- REMOTE ALARM LED IS POLARIZED, OBSERVE COLOR CODED WIRING.
- ONE INDICATOR MAY BE INSTALLED PER DETECTOR.



FLUSH MOUNTING



PRODUCT INFORMATION

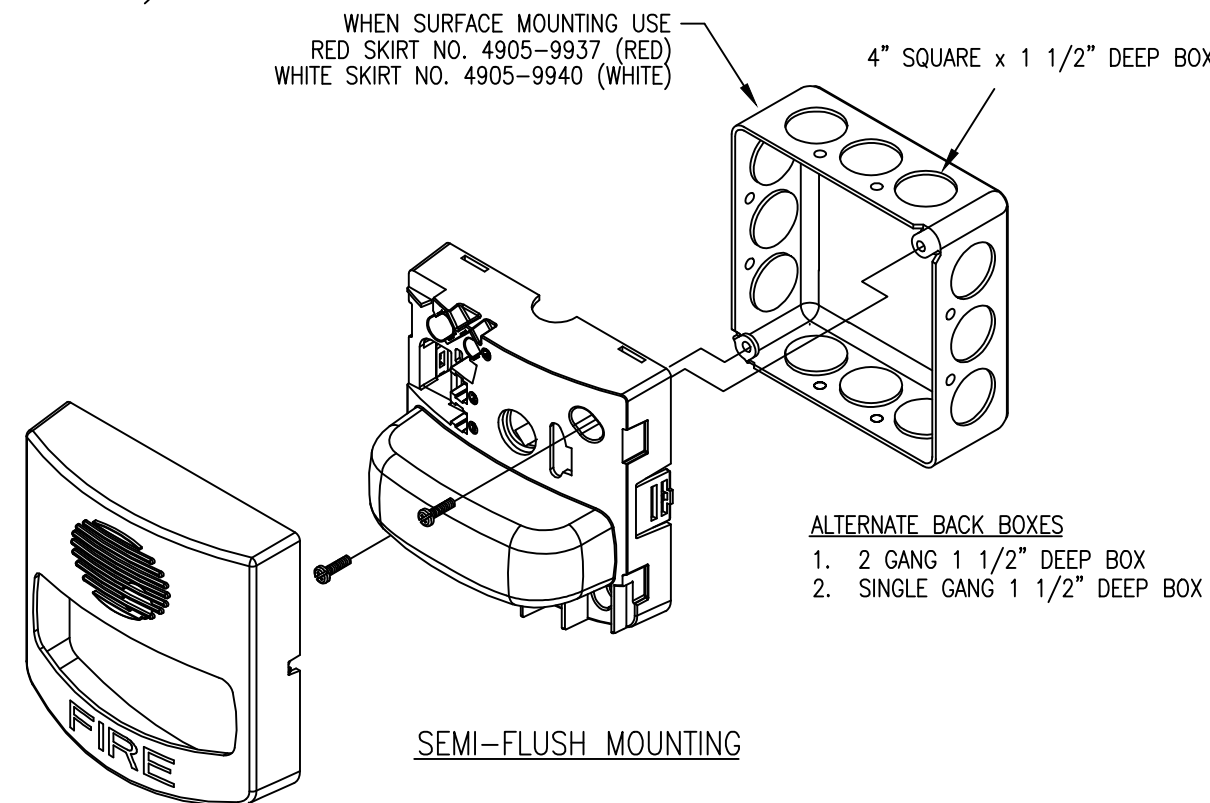
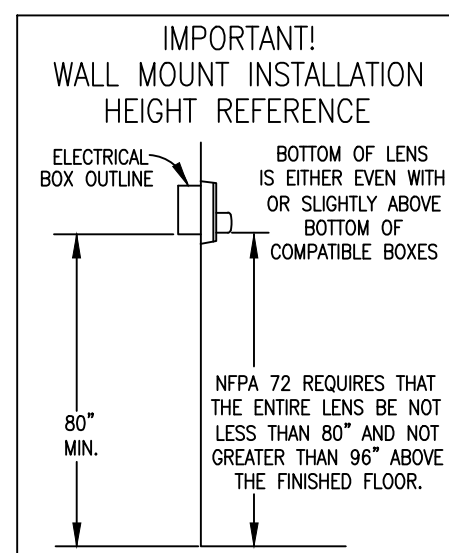
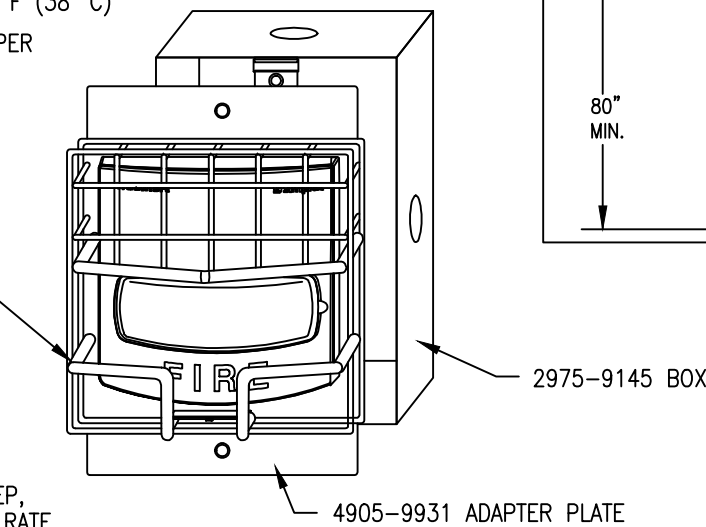
TrueAlert™ NON-ADDRESSABLE MULTI-CANDELA AUDIBLE/VISIBLE NOTIFICATION APPLIANCE (ELECTRONIC HORN W/STROBE)

FEATURES:

- CLASS B (STYLE Y) OPERATION REQUIRES CONNECTION TO A COMPATIBLE SMARTSYNC NAC OR TO SMARTSYNC CONTROL MODULE (SCM) 4905-9938
- CLASS A (STYLE Z) OPERATION WHEN CONNECTED TO THE 4905-9938 SCM OR 4100U SERIES FIRE ALARM CONTROL PANEL NAC'S

SPECIFICATIONS:

- HOUSING DIMENSIONS (INCLUDING LENS): 5 1/8" H X 5" W X 2 3/4" D
- TEMPERATURE RANGE: 32° F TO 122° F (0° C TO 50° C)
- HUMIDITY RANGE: 10% TO 93% NON-CONDENSING AT 100° F (38° C)
- TERMINAL BLOCKS FOR 18 AWG TO 12 AWG; TWO WIRES PER TERMINAL FOR IN/OUT WIRING.



HORN
- SOUND OUTPUT CHARACTERISTICS: 2400 TO 3700 Hz SWEEP, MODULATED AT 120 Hz RATE

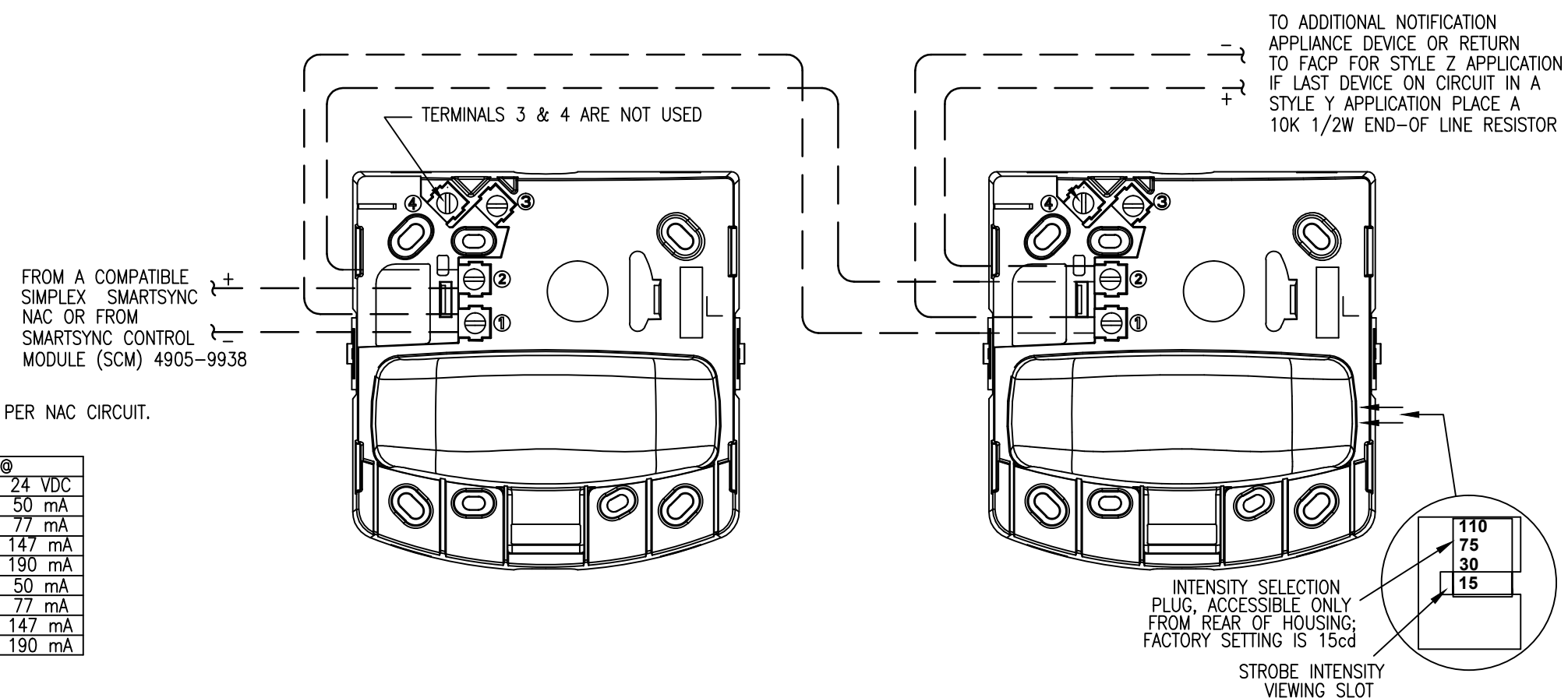
HORN SOUND OUTPUT RATINGS @ 10 FT. (3m)						
VOLTAGE	16 VDC		24 VDC		33 VDC	
	STEADY	CODED	STEADY	CODED	STEADY	CODED
REVERBERATE CHAMBER UL 464 TEST	86 dBA	82 dBA	88 dBA	84 dBA	90 dBA	86 dBA
ANECHOIC CHAMBER	92 dBA	91 dBA	94 dBA	95 dBA	96 dBA	96 dBA

* CODED VALUES ARE TYPICAL OF THE OUTPUT MEASURED WITH A TEMPORAL CODED OR A MARCH TIME CODED PULSE AND WITH A SOUND LEVEL METER READING ON A "FAST" SETTING. UNDER THE SAME TEST CONDITIONS, CODED HORN OUTPUT "PEAK" SOUND LEVEL READINGS ARE TYPICALLY 4 DBA HIGHER.

STROBE

- RATED VOLTAGE RANGE: UL: REGULATED 24VDC PER UL 1971
- FLASH RATE: 1Hz
- SYNCHRONIZED MODE NAC LOADING: MAXIMUM OF 35 SYNCHRONIZED STROBES PER NAC CIRCUIT.

MODEL NUMBER	HOUSING COLOR	LETTERING COLOR	STROBE RATING	RMS CURRENT @		
				16 VDC	18 VDC	24 VDC
4906-9127	RED	WHITE	15cd	76 mA	67 mA	50 mA
			30cd	116 mA	103 mA	77 mA
			75cd	221 mA	196 mA	147 mA
			110cd	285 mA	253 mA	190 mA
4906-9129	WHITE	RED	15cd	75 mA	67 mA	50 mA
			30cd	116 mA	103 mA	77 mA
			75cd	221 mA	196 mA	147 mA
			110cd	285 mA	253 mA	190 mA



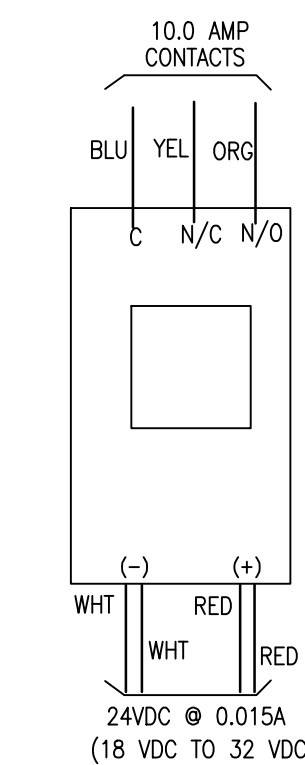
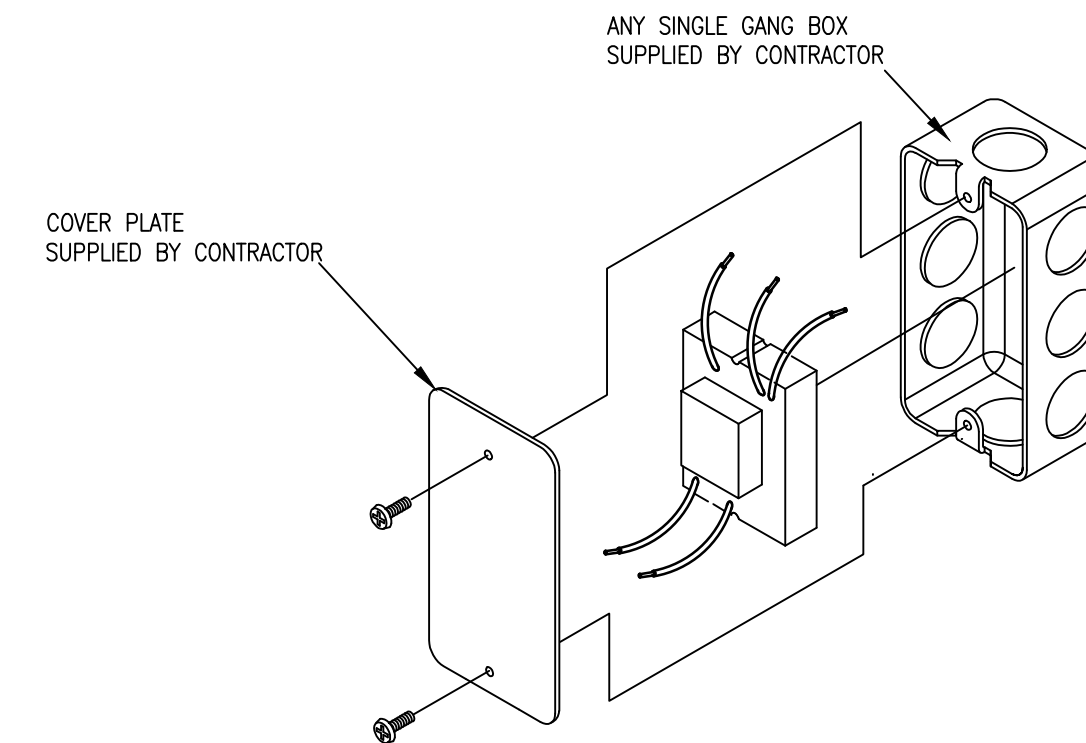
SPECIFICATIONS:

- POWER REQUIREMENTS: 0.015 AMP @ 24VDC (17 VDC TO 32 VDC)
- RELAY: U.L. RECOGNIZED SPDT
- CONTACT RATING: 7 AMPS @ 120VAC & 28 VDC 250 MICRO AMPS @ 5 VDC
- AMBIENT TEMPERATURE: -50° F TO 85° F (-50° C TO 85° C)
- APPROVALS: UNDERWRITERS LABORATORIES LISTED
- 12" 18 AWG WIRE LEADS
- DIMENSIONS: 1-1/2" H X 1 7/8" W X 1 3/16" D (38.1mm H X 47.625mm W X 20.638mm D)

FEATURES:

- SINGLE SPDT RELAY
- DOUBLE-SIDED ADHESIVE TAPE
- MOUNTING SCREW
- 5 WIRE NUTS

AIR PRODUCTS PAM-SD 24VDC POLARIZED RELAY MODULE (SIMPLEX 4098-9843)



PRODUCT INFORMATION

4090-9001 IDNET, SUPERVISED INDIVIDUAL ADDRESSABLE MODULE (IAM)

FEATURES:

- UL LISTED
- ADDRESSABLE COMMUNICATIONS SUPPLY BOTH DATA AND POWER TO PROVIDE:
 - SUPERVISED STYLE B MONITORING OF NORMALLY OPEN DRY CONTACTS.
 - COMMUNICATIONS WIRING USING ONE TWISTED, SHIELDED WIRE PAIR.
- COMPATIBLE WITH SIMPLEX ADDRESSABLE FIRE ALARM CONTROL PANELS.
- COMPACT, SEALED CONSTRUCTION:
 - ALLOWS MOUNTING IN A SINGLE GANG BOX
 - REDUCES DUST INFILTRATION
- PROVIDES CURRENT LIMITED MONITORING:
 - TO MONITOR TAMPER SWITCH (SUPERVISORY) AND WATER FLOW SWITCH (ALARM) ON SAME CIRCUIT
 - BOTTOM OF MONITORING POINT
- SELECTABLE LATCHING OPERATION:
 - MONITORS MOMENTARY CONTACT CLOSURES SUCH AS RATE-OF RISE HEAT DETECTORS

SPECIFICATIONS:

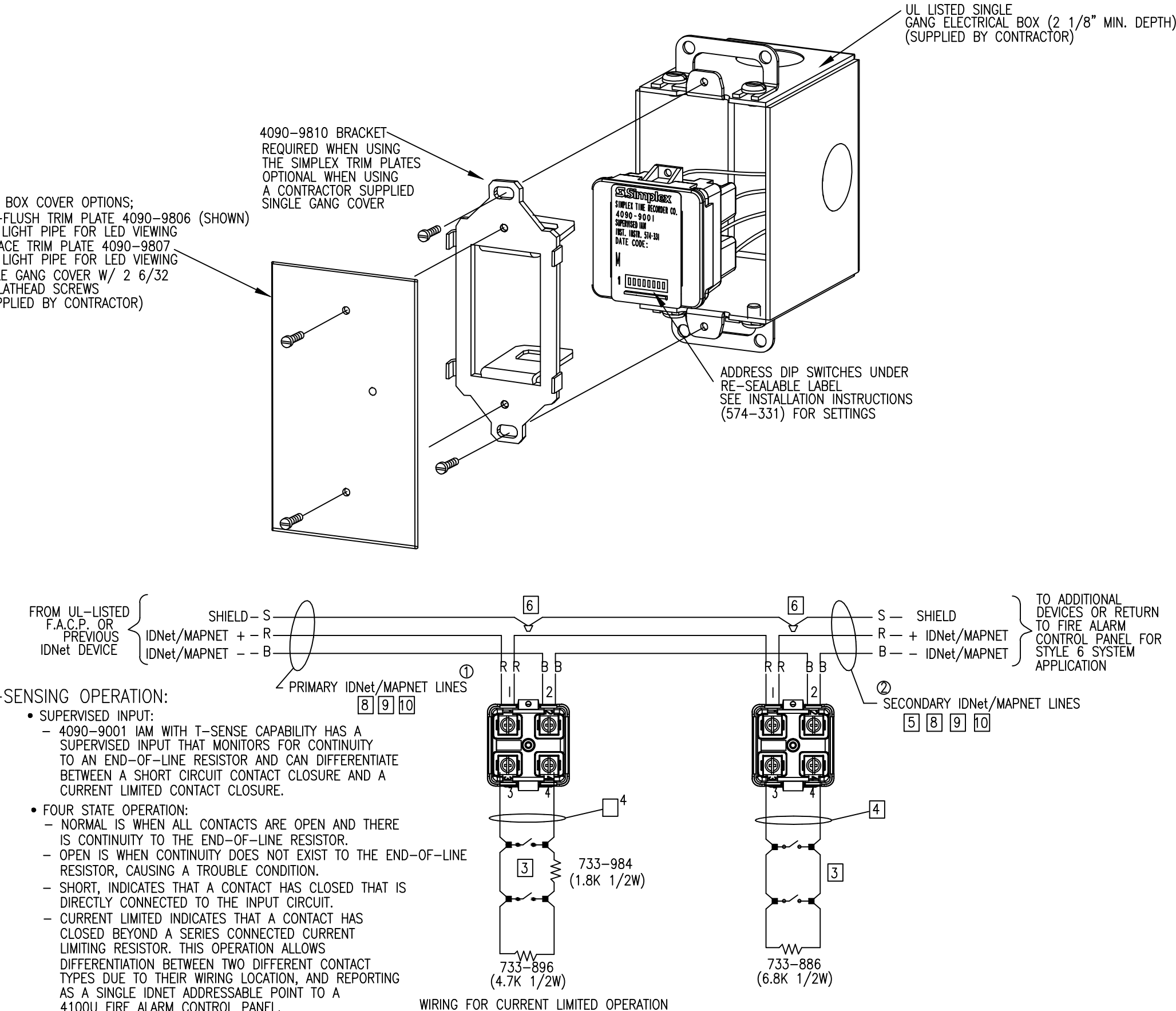
- WIRE CONNECTIONS: SCREW TERMINALS FOR IN/OUT WIRING FOR WIRE FROM #18 TO #14 AWG.
- DIMENSIONS: 1 9/16" X 1 3/4" X 1 1/4"
- TEMPERATURE RANGE: 32° F TO 158° F (0° C TO 70° C)
- HUMIDITY: UP TO 93% RH AT 100° F
- SUPERVISION RESISTOR: 6.8kΩ 1/2W, (SUPPLIED) SIMPLEX PART NO. 733-886
- RESISTOR FOR CURRENT LIMITED OPERATION: 4.7kΩ 1/2W, WITH A 1.8kΩ 1/2W
- INPUT REQUIREMENTS: NORMALLY OPEN, DRY CONTACTS
- HOUSING MATERIAL: BLACK THERMOPLASTIC

DESCRIPTION:

THE 4090-9001 IS AN INDIVIDUAL ADDRESSABLE MODULE (IAM) WITH POWER AND COMMUNICATIONS SUPPLIED BY A TWO WIRE ADDRESSABLE CIRCUIT. IT PROVIDES LOCATION SPECIFIC ADDRESSABILITY TO A SINGLE INITIATING DEVICE (SUCH AS SINGLE STATION SMOKE DETECTOR ALARM CONTACTS OR HEAT DETECTOR CONTACTS) OR MULTIPLE DEVICES AT THE SAME LOCATION BY MONITORING NORMALLY OPEN DRY CONTACTS AND THE WIRING TO AN END-OF-LINE RESISTOR. CLOSURE OF THE MONITORED CONTACTS INITIATES AN ALARM OR OTHER RESPONSE AS PROGRAMMED AT THE FIRE ALARM CONTROL PANEL. AN OPEN IN THE MONITORED CIRCUIT WIRING WILL CAUSE A TROUBLE TO BE REPORTED. IF THE INITIATING DEVICE CONTACTS ARE MOMENTARY, SUCH AS FROM A RATE-OF-RISE HEAT DETECTOR, ENABLING THE LATCH FEATURE WILL MAINTAIN THE ALARM CONDITION UNTIL THE SYSTEM IS RESET. FOR APPLICATIONS WHERE THE CONTACT CLOSURE LATCHES, OR IF ITS CONDITION NEEDS TO BE TRACKED AT THE CONTROL PANEL, NON-LATCHING OPERATION MAY BE ENABLED.

WIRING NOTES:

1. ALL WIRING TO COMPLY WITH LOCAL CODE.
2. CONDUCTORS MUST BE FREE OF ALL GROUNDS.
3. ONLY N.O. DRY CONTACTS ARE ALLOWED.
4. MAXIMUM WIRE LENGTH (NO. 18 AWG) IS 400 FT. W/2081-9044 OVER VOLTAGE PROTECTORS OR 400 FT. W/O PROTECTORS.
5. A MAXIMUM QUANTITY OF DEVICES PER CIRCUIT: CONTROL PANEL MODULE DEPENDENT
6. WIRE NUTS, SPLICE, OR SOLDER THE SHIELD WIRES. (TAPE EXPOSED SHIELD WIRE).
7. REFER TO INSTALLATION INSTRUCTIONS 574-331.
8. MAXIMUM ALLOWABLE LINE RUN FROM THE F.A.C.P. TO THE FARTHEST DEVICE, NOT TO EXCEED 2500 FEET.
9. MAXIMUM TOTAL WIRE (INCLUDING ALL T-TAPS) FROM THE FIRE ALARM CONTROL PANEL
10. FOR STYLE B CIRCUIT WIRING IT IS RECOMMENDED THAT THE PRIMARY (D) AND BACK-UP (D) LINES BE IN SEPARATE WIRE RUNS AND IN COMPLIANCE WITH LOCAL REQUIREMENTS.
11. REFER TO FIELD WIRING DIAGRAM 842-073



FROM UL-LISTED F.A.C.P. OR PREVIOUS IDNET

T-SENSING OPERATION:

- SUPERVISED INPUT:
 - 4090-9001 IAM WITH T-SENSE CAPABILITY HAS A SUPERVISED INPUT THAT MONITORS FOR CONTINUITY TO AN END-OF-LINE RESISTOR AND CAN DIFFERENTIATE BETWEEN A SHORT CIRCUIT CONTACT CLOSURE AND A CURRENT LIMITED CONTACT CLOSURE.
- FOUR STATE OPERATION:
 - NORMAL IS WHEN ALL CONTACTS ARE OPEN AND THERE IS CONTINUITY TO THE END-OF-LINE RESISTOR.
 - OPEN IS WHEN CONTINUITY DOES NOT EXIST TO THE END-OF-LINE RESISTOR, CAUSING A TROUBLE CONDITION.
 - SHORT: INDICATES THAT A CONTACT HAS CLOSED THAT IS DIRECTLY CONNECTED TO THE INPUT CIRCUIT.
 - CURRENT LIMITED: INDICATES THAT A CONTACT HAS CLOSED BEYOND A SERIES CONNECTED CURRENT LIMITING RESISTOR. THIS OPERATION ALLOWS DIFFERENTIATION BETWEEN TWO DIFFERENT CONTACT TYPES DUE TO THEIR WIRING LOCATION, AND REPORTING AS A SINGLE IDNET ADDRESSABLE POINT TO A 4100U FIRE ALARM CONTROL PANEL.

tyco SimplexGrinnell

20 THOMAS DRIVE
WESTBROOK, ME 04092
207-842-6440
207-842-6440
SALES
207-842-6439
FAX

© 2013 TYCO SIMPLEXGRINNELL LP
ALL RIGHTS RESERVED

NO.	DATE	REVISION DESCRIPTION
1	8/14/13	REVISED PER ENGINEERS REVIEW COMMENTS DATED 7/19/13 & 8/5/13
2	9/10/13	REVISED PER SUBMITTAL REVIEW DATED 8/29/13
3	10/07/13	REVISED PER SUBMITTAL REVIEW DATED 10/1/13

FIRE ALARM & AREA OF REFUGE SYSTEMS
DEVICE WIRING DETAILS
HYATT PLACE PORTLAND - OLD PORT
433 FORE STREET
PORTLAND, ME

DRAWN BY: LORION DATE: 6/14/13
CHECKED BY: KALAFARSKI DATE: 7/12/13

PROJECT NUMBER: 971237001

SHEET TITLE: FIRE ALARM SYSTEM DEVICE WIRING DETAILS

SHEET NUMBER: FA-703