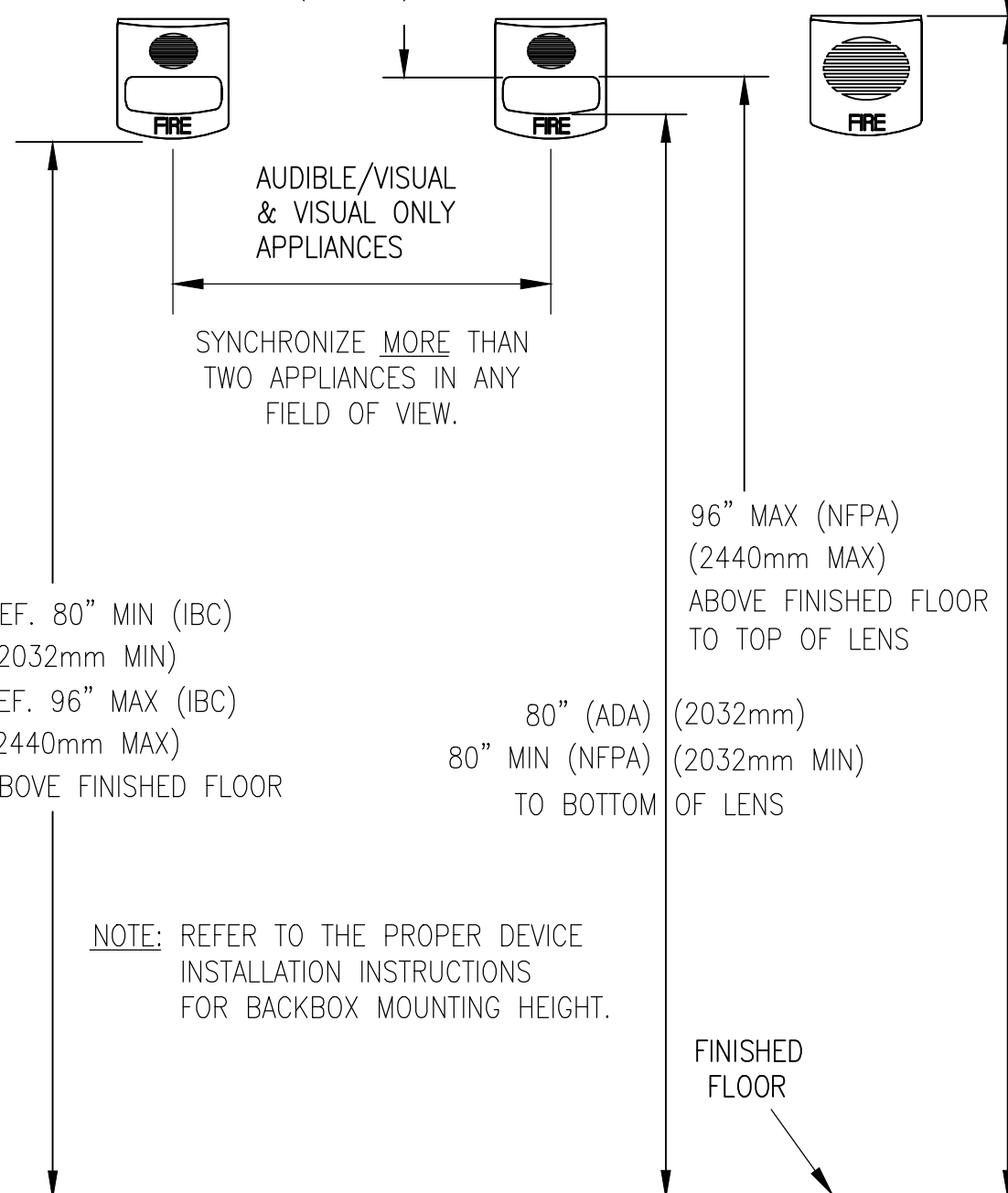


DEVICE MOUNTING HEIGHT REFERENCE (PER NFPA 72)

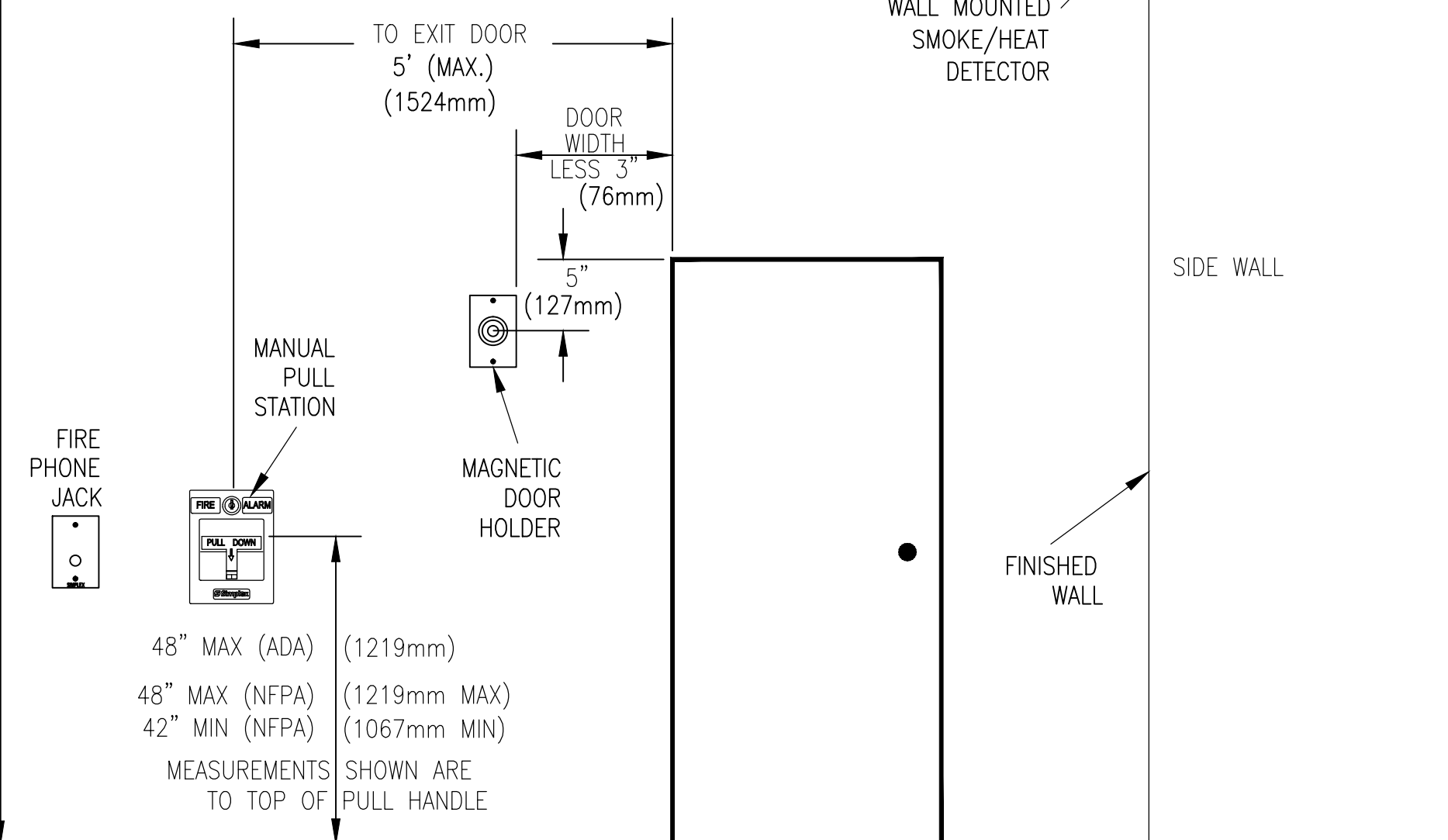
- VISUAL APPLIANCE MOUNTING HEIGHT CONSIDERATIONS IN SLEEPING ROOMS**
1. MIN DISTANCE IN SLEEPING ROOMS IS 24" (610mm) FROM CEILING TO TOP OF LENS FOR 110CD STROBES WITHIN 16' OF THE PILLOW
 2. 177CD STROBES, USED IN SLEEPING ROOMS, CAN BE WITHIN THE 24" (610mm) MINIMUM DISTANCE FROM THE CEILING, THE HIGHER INTENSITY IS TO COMPENSATE FOR A POSSIBLE SMOKE LAYER.

FOR CEILING HEIGHTS LESS THAN 86" (2180mm), THE VISUAL LENS MOUNTING HEIGHT SHALL BE WITHIN 6" (150mm) OF THE CEILING.



NFPA 72 AUDIBLE APPLIANCE
6" MIN (152.4mm MIN) BELOW FINISHED CEILING

AUDIBLE ONLY
90" MIN (2286mm MIN) ABOVE FINISHED FLOOR (OTHER MOUNTING HEIGHTS SHALL BE PERMITTED BY THE AHJ PROVIDING IT MEETS THE SOUND LEVEL OUTPUT REQUIRED.)



NOTE: MEASUREMENTS SHOWN ARE TO THE CLOSEST EDGE OF THE DETECTOR.

NOTE: REFER TO THE PROPER DEVICE INSTALLATION INSTRUCTIONS FOR BACKBOX MOUNTING HEIGHT.

4100ES BACKBOX INSTALLATION

INSTRUCTIONS

1. REMOVE ELECTRONIC CARD CAGE (IF PRESENT) AND STORE IT IN A SAFE DRY AREA.
2. NO KNOCKOUTS PROVIDED. CUT CONDUIT/SERVICE ENTRANCE OPENINGS. REFER TO FIG. 1 FOR PROPER LOCATIONS. CONDUIT PROTRUSION INTO BOX 1/2" MAX.
3. MOUNT BOX TO WALL: BOX MUST BE LEVEL AND PLUMB. FOR SURFACE MOUNT USE TEAR DROP AND CLEARANCE HOLES ON BACK SURFACE. FOR SEMI-FLUSH MOUNT: USE WALL STUD GUIDES FOR MAXIMUM ALLOWABLE BOX DEPTH TO PROVIDE OPEN DOOR CLEARANCE. USE KNOCKOUTS ON SIDE WALL, SCREW OR NAIL BOX TO WALL STUDS.
4. MINIMUM DISTANCE BETWEEN ANY TWO BOXES IS 3 1/4" (6" MAXIMUM).
5. IF PRESENT, USE WIRE MANAGEMENT BRACKETS ON BOX SIDES TO SECURE WIRE RUNS.
6. NEMA RATING: NEMA 1 - GENERAL PURPOSE.
7. DO NOT LOCATE POWER-LIMITED WIRING IN THE SHADED AREAS OF THE BACKBOX, THIS AREA IS RESERVED FOR NON-POWER LIMITED CIRCUITRY SUCH AS AC POWER, BATTERIES AND CITY CONNECTION.
8. REFER TO SIMPLEX BACKBOX INSTALLATION DOCUMENT 579-117 FOR DETAILED INSTRUCTIONS.

NOTE: ADA REQUIREMENTS LIMIT THE ALLOWABLE PROTRUSION OF OBJECTS MOUNTED IN PUBLIC ACCESSIBLE WALKS, HALLS, CORRIDORS, PASSAGEWAYS OR AISLES. THE 4 INCH (100mm) RESTRICTION APPLIES TO ANY ITEM IN WHICH THE MEASUREMENT FROM THE FLOOR TO THE BOTTOM OF THE UNIT IS MORE THAN 27 INCHES.

PKG. SIZE	PID NUMBER	BOX HEIGHT
1 BAY	2975-9407	22"
2 BAY	2975-9408	40"
3 BAY	2975-9409	56"
1 BAY	2975-9410	22"
2 BAY	2975-9411	40"
3 BAY	2975-9412	56"
1 BAY	2975-9438	22"
2 BAY	2975-9439	40"
3 BAY	2975-9440	56"

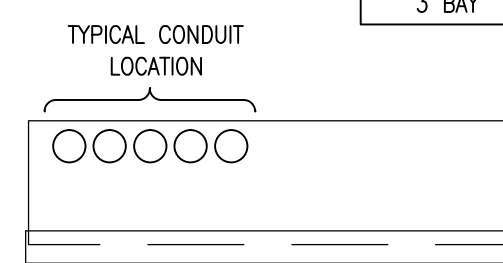
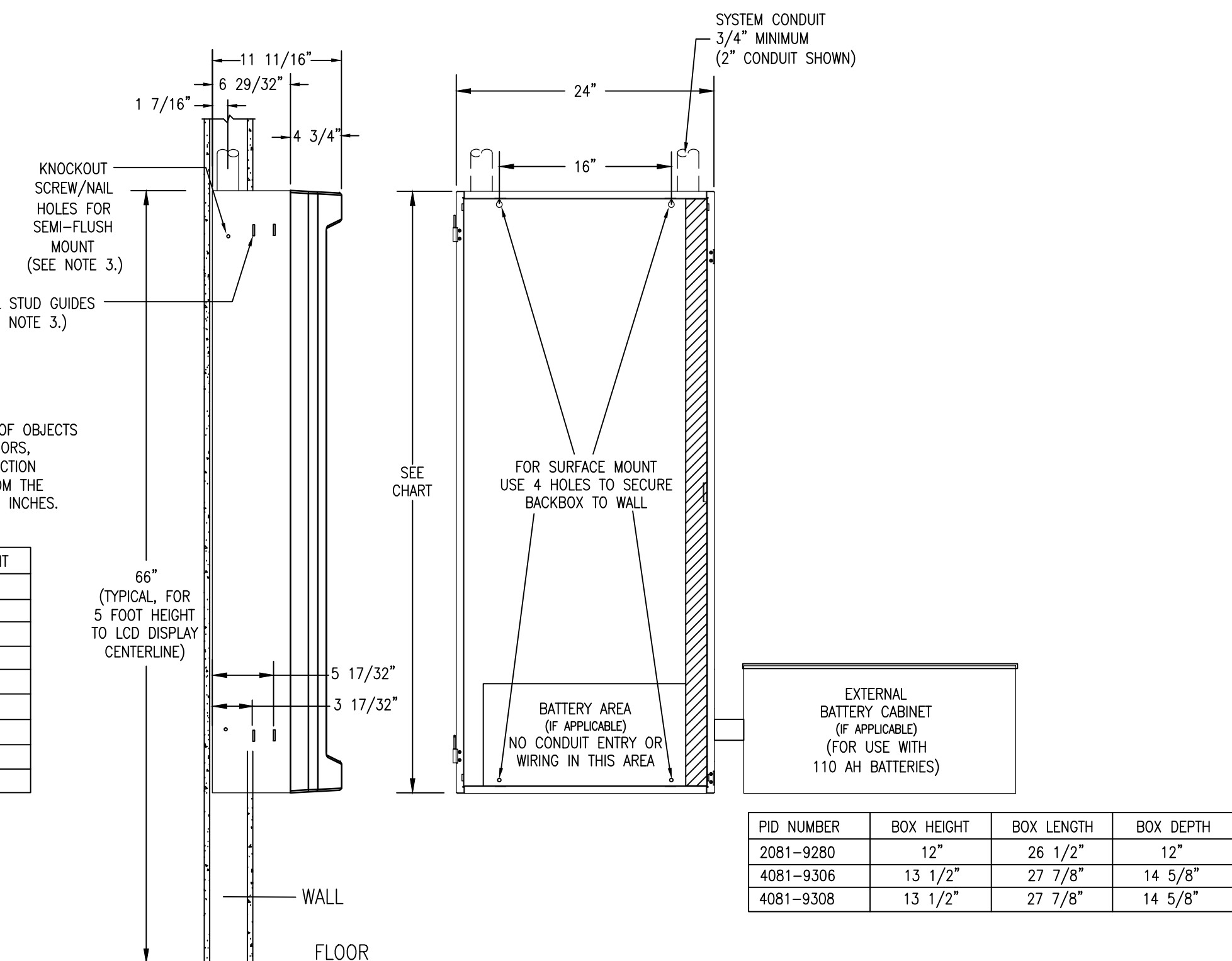


FIG. 1



PID NUMBER	BOX HEIGHT	BOX LENGTH	BOX DEPTH
2081-9280	12"	26 1/2"	12"
4081-9306	13 1/2"	27 7/8"	14 5/8"
4081-9308	13 1/2"	27 7/8"	14 5/8"

PRODUCT INFORMATION

- FEATURES:**
- UL LISTED
 - FM APPROVED
 - FLUSH MOUNT ON STANDARD ELECTRICAL BOXES

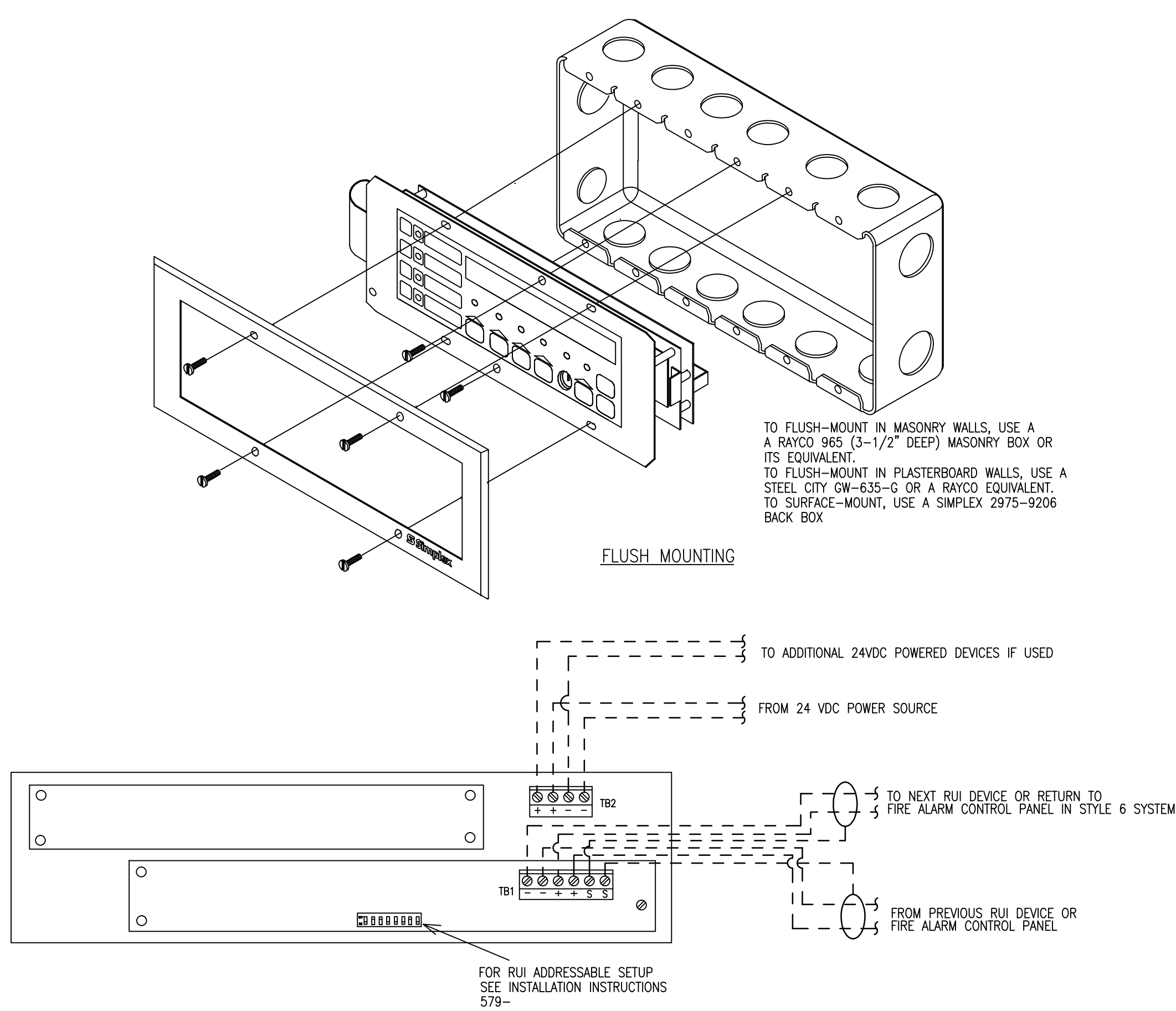
- SPECIFICATIONS:**
- VOLTAGE: 24VDC NOMINAL
 - CURRENT: ALARM 140mA SUPERVISORY 65mA
 - OPERATING TEMPERATURE: 32° F TO 120° F
 - HUMIDITY RANGE: 10% TO 90% RH FROM 32° F TO 104° F
 - STANDARD TRIM: BEIGE (SUPPLIED WITH BOTH SLOTTED AND TAMPERPROOF SCREWS)

- OPTIONS**
- BRUSHED ALUMINUM TRIM: 4603-9111
 - SURFACE BOX: 2975-9206
 - DIMENSIONS 11 31/32" L x 4 5/8" W x 2 3/4" D
 - FINISH: LIGHT BROWN ENAMEL

NOTES:

1. ALL WIRING TO BE NO. 18 AWG OR TO LOCAL CODE.
2. ALL WIRING SUPERVISED
3. WIRE TO BE 18 AWG TWISTED SHIELDED PAIR RECOMMENDED CONSULT SALES ENGINEERING FOR EXCEPTIONS. 2500 FT ONE WAY MAX COMMUNICATION LINE POWER 32 VDC MAX 130 mA MAX 1200 OR 9600 BAUD
4. WHEN WIRING LEAVES THE BUILDING, OVER VOLTAGE PROTECTORS ARE REQUIRED; USE 2081-9044 ONE IS INSTALLED WHERE IT LEAVE THE BUILDING AND ONE WHERE IT ENTERS THE NEXT BUILDING. TWO 2081-9044 (MAX)

4603-9101 REMOTE ANNUNCIATOR



TO FLUSH-MOUNT IN MASONRY WALLS, USE A RAYCO 965 (3-1/2" DEEP) MASONRY BOX OR ITS EQUIVALENT.
TO FLUSH-MOUNT IN PLASTERBOARD WALLS, USE A STEEL CITY GW-635-G OR A RAYCO EQUIVALENT.
TO SURFACE-MOUNT, USE A SIMPLEX 2975-9206 BACK BOX

FOR RUI ADDRESSABLE SETUP SEE INSTALLATION INSTRUCTIONS 579-

PRODUCT INFORMATION

- FEATURES:**
- UL LISTED
 - SINGLE ACTION, IDNET ADDRESSABLE
 - PULL LEVEL PROTRUDES WHEN ALARMED
 - TAMPER RESISTANT RESET KEY LOCK
 - MOUNTING: SEMI-FLUSH, SURFACE
 - OPERATING TEMPERATURE RANGE: 32 - 120° F
 - OPERATING HUMIDITY RANGE: 0 - 93% RH
 - ADAPTER PLATES 2099-9813 OR 2099-9814 CAN BE USE FOR RETROFIT APPLICATIONS.
 - 5" HIGH X 3 3/4" WIDE X 1" DEEP
 - SCREW TERMINALS FOR 18 TO 14 AWG WIRE
 - ADDRESS BY MEANS OF AN 8 POSITION DIP SWITCH
 - COMPATIBLE WITH IDNET/MANPET

- OPERATION:**
- 4099-9001 SINGLE ACTION STATION REQUIRES A FIRM DOWNWARD PULL TO ACTIVATE THE ALARM SWITCH. COMPLETING THIS ACTION BREAKS AN INTERNAL PLASTIC BREAK-ROD THAT IS VISIBLE BELOW THE PULL LEVER (USE OF PLASTIC ROD IS OPTIONAL). THE PULL LEVEL LATCHES INTO THE ALARM POSITION AND REMAINS EXTENDED OUT OF THE HOUSING TO PROVIDE A VISIBLE INDICATION.

- RESETTING:**
- 4099-9001 SINGLE ACTION STATION REQUIRES A KEY TO RESET THE ACTIVATION LEVER AND DEACTIVATE THE ALARM SWITCH. (IF OPTIONAL PLASTIC BREAK ROD WAS USED IT MUST BE REPLACED)

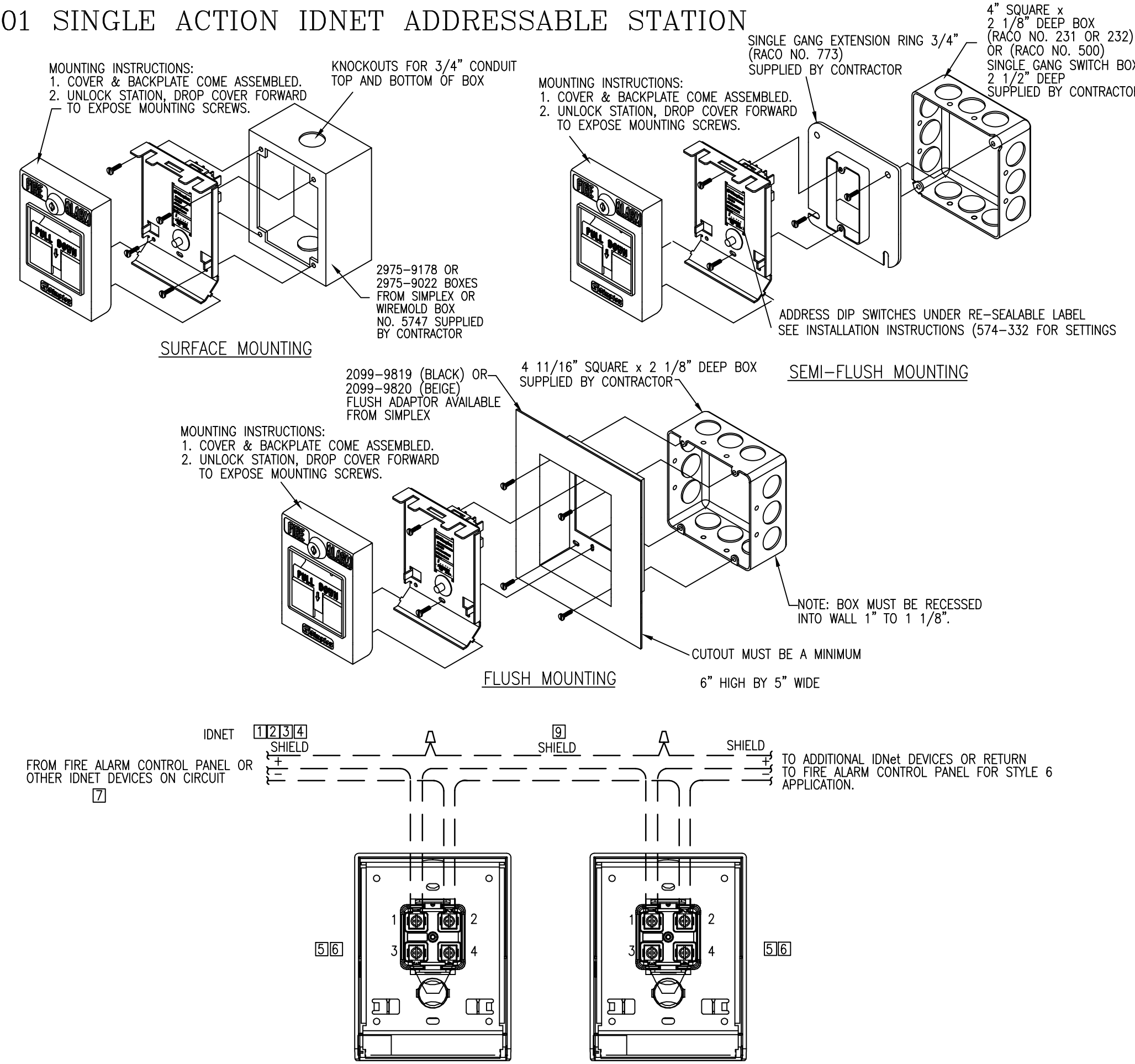
- CONSTRUCTION:**
- STATION HOUSING AND PULL LEVER ARE CONSTRUCTED OF CHIP RESISTANT AND DIRT RESISTANT, HIGH IMPACT LEXAN. HOUSING IS RED WITH RAISED WHITE LETTERING AND PULL LEVER IS WHITE WITH RED RAISED LETTERING.
* LEXAN IS A REGISTERED TRADEMARK OF THE GENERAL ELECTRIC CO.

- APPLICATION:**
- PULL STATIONS SHALL BE INSTALLED IN ACCORDANCE WITH NFPA 72 AND ADA GUIDE LINES.

- INTRODUCTION:**
- THE 4099-9001 ADDRESSABLE PULL STATION PROVIDES TWO-STATE STATUS INFORMATION (NORMAL AND SHORT) TO THE IDNET COMPATIBLE FIRE ALARM CONTROL PANEL (FACP) VIA THE IDNET CHANNEL. THE IDNET CHANNEL PROVIDES THE COMMUNICATION LINK BETWEEN PULL STATION AND THE FACP AND POWERS THE ENTIRE CIRCUITRY.

- WIRING:**
1. ALL WIRING TO COMPLY WITH LOCAL CODE.
 2. CONDUCTORS MUST TEST FREE OF ALL GROUNDS.
 3. MAINTAIN CORRECT POLARITY
 4. IDNET LINES ARE TO BE 18 AWG TWISTED SHIELDED PAIR
 5. MAXIMUM LINE RUN FROM PANEL TO FARTHEST DEVICE NOT TO EXCEED 2500 FEET.
 6. MAXIMUM TOTAL WIRE (INCLUDING ALL T-TAPS) FROM PANEL NOT TO EXCEED 10,000 FEET.
 7. MAXIMUM QUANTITY OF DEVICES PER CIRCUIT: 250
 8. TERMINALS 1 AND 2 FOR FIELD WIRING. TERMINALS 3 AND 4 ARE FACTORY WIRING.
 9. WIRE NUT, SPLICE, OR SOLDER THE SHIELD WIRES.
 10. IF SHIELD IS PRESENT, IT SHOULD BE CONNECTED TO THE OUTGOING IDNET SHIELD TO PROVIDE A CONTINUOUS SHIELD OVER THE LENGTH OF THE IDNET CHANNEL. SHIELD SHOULD BE INSULATED FROM THE ELECTRICAL BOX.
 11. SEE INSTALLATION INSTRUCTIONS 574-332

4099-9001 SINGLE ACTION IDNET ADDRESSABLE STATION



SURFACE MOUNTING

SEMI-FLUSH MOUNTING

FLUSH MOUNTING

FROM FIRE ALARM CONTROL PANEL OR OTHER IDNET DEVICES ON CIRCUIT

TO ADDITIONAL IDNET DEVICES OR RETURN TO FIRE ALARM CONTROL PANEL FOR STYLE 6 APPLICATION.

NO.	DATE	REVISION DESCRIPTION
1	8/14/13	REVISED PER ENGINEERS REVIEW COMMENTS DATED 7/19/13 & 8/5/13
2	9/10/13	REVISED PER SUBMITTAL REVIEW DATED 8/29/13
3	10/07/13	REVISED PER SUBMITTAL REVIEW DATED 10/1/13

FIRE ALARM & AREA OF REFUGE SYSTEMS
DEVICE WIRING DETAILS
HYATT PLACE PORTLAND - OLD PORT
433 FORE STREET
PORTLAND, ME

DRAWN BY: LORION	DATE: 6/14/13
CHECKED BY: KALAFARSKI	DATE: 7/12/13
PROJECT NUMBER: 971237001	
SHEET TITLE: FIRE ALARM SYSTEM DEVICE WIRING DETAILS	
SHEET NUMBER: FA-701	