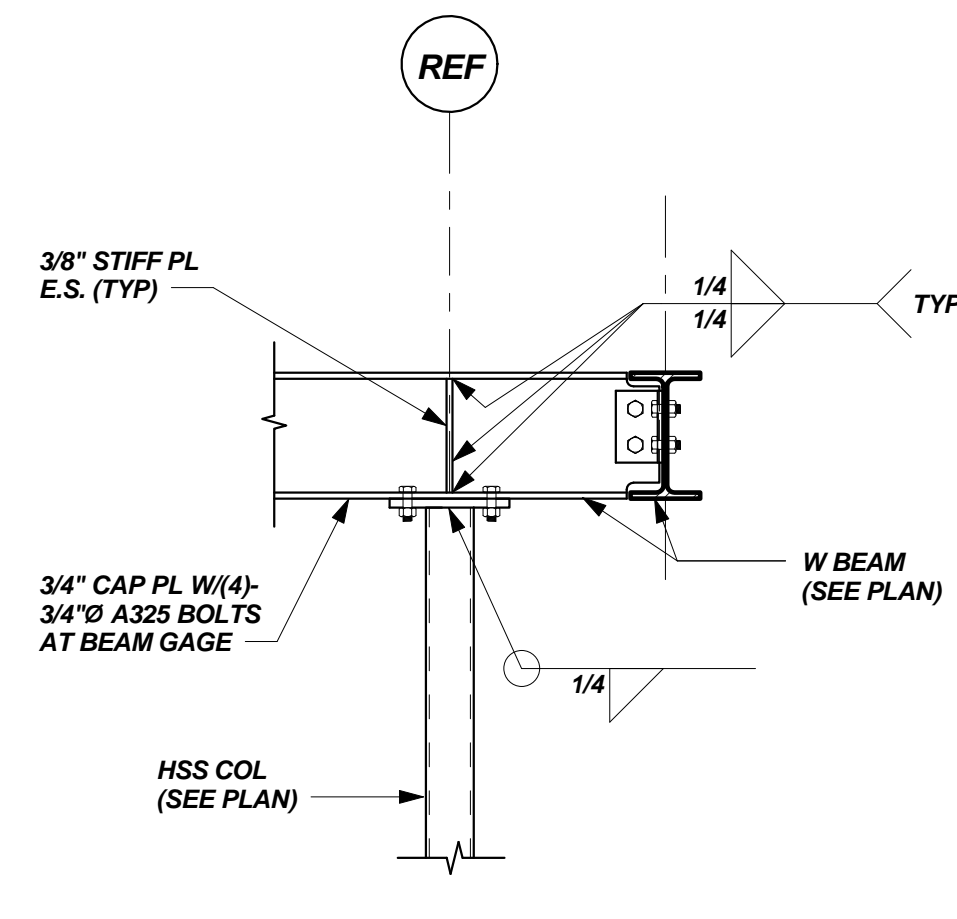
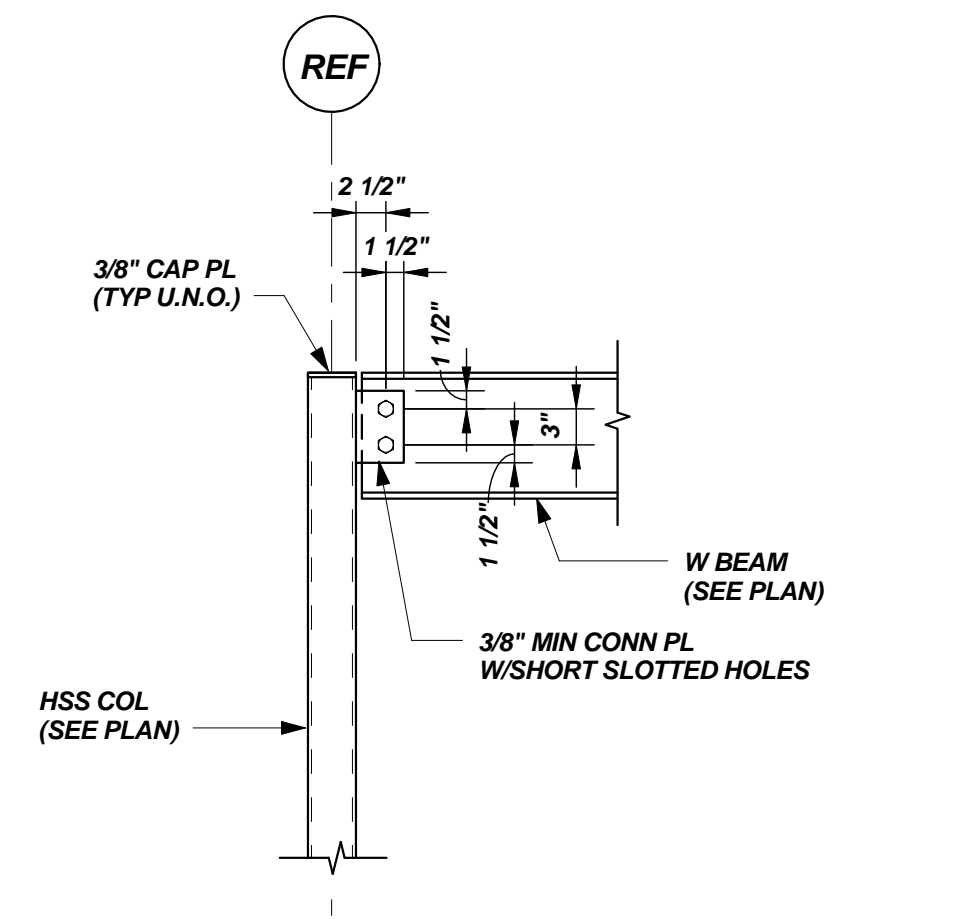


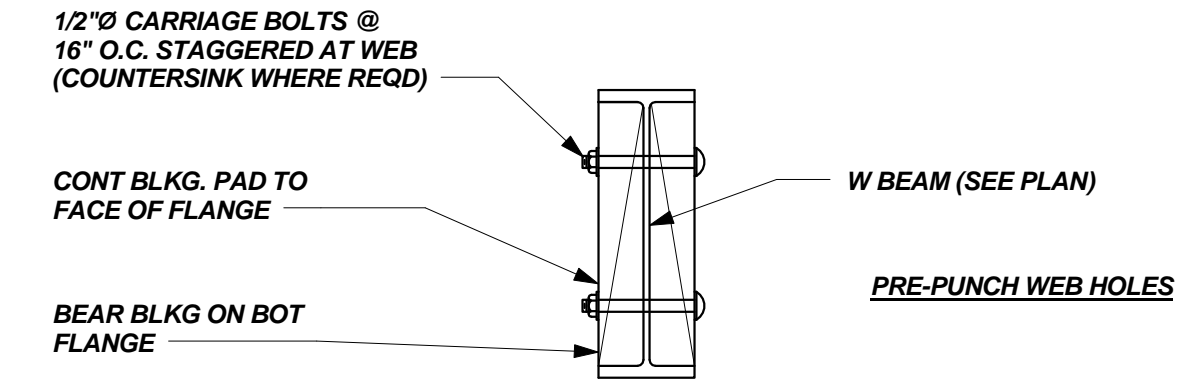
NEW BEAM TO EXIST W COL DETAIL
N.T.S.



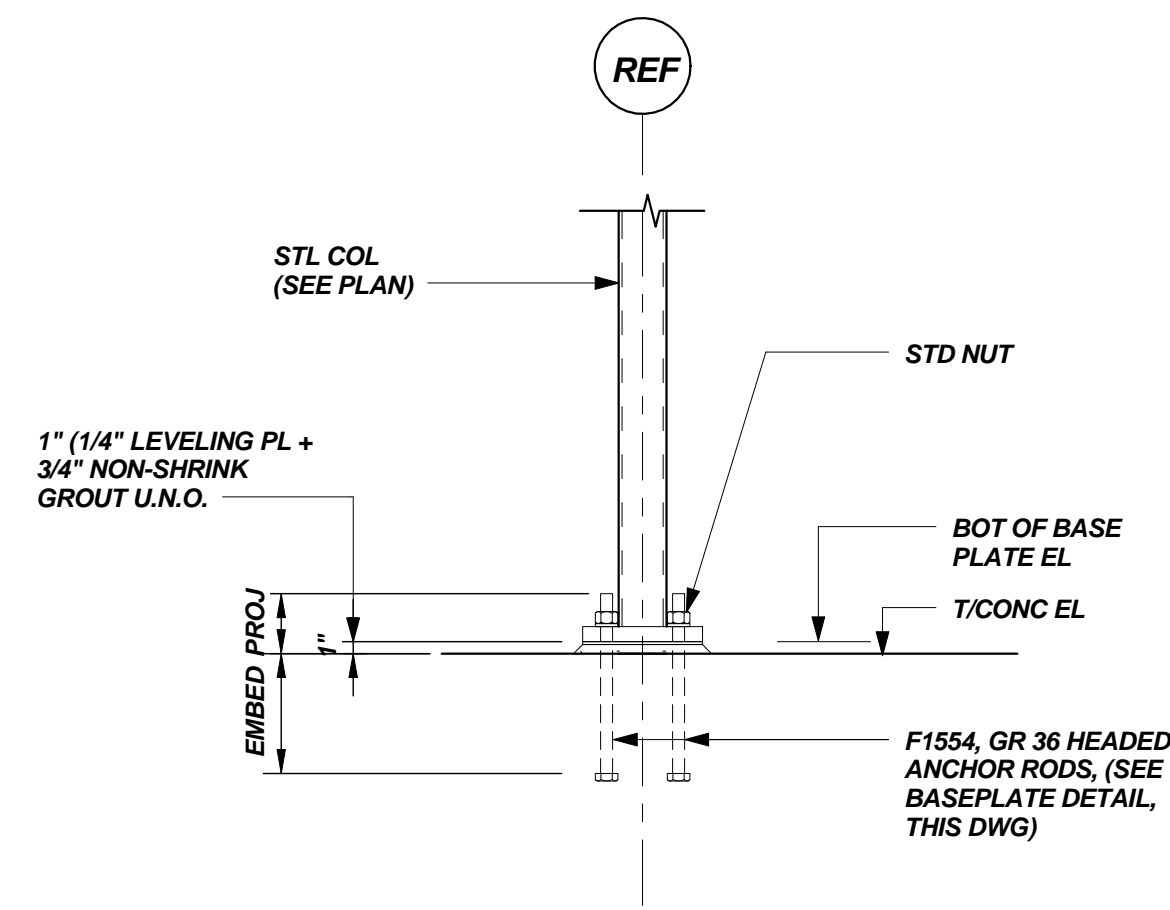
BEAM OVER COL CONN DETAIL
N.T.S.



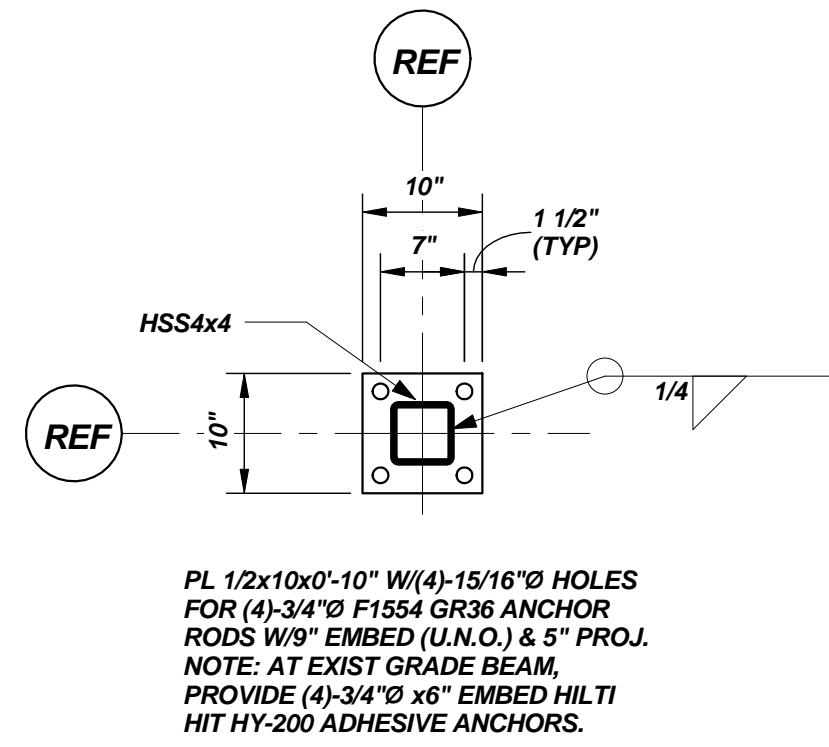
TYP BEAM TO HSS COL CONN U.N.O.
N.T.S.



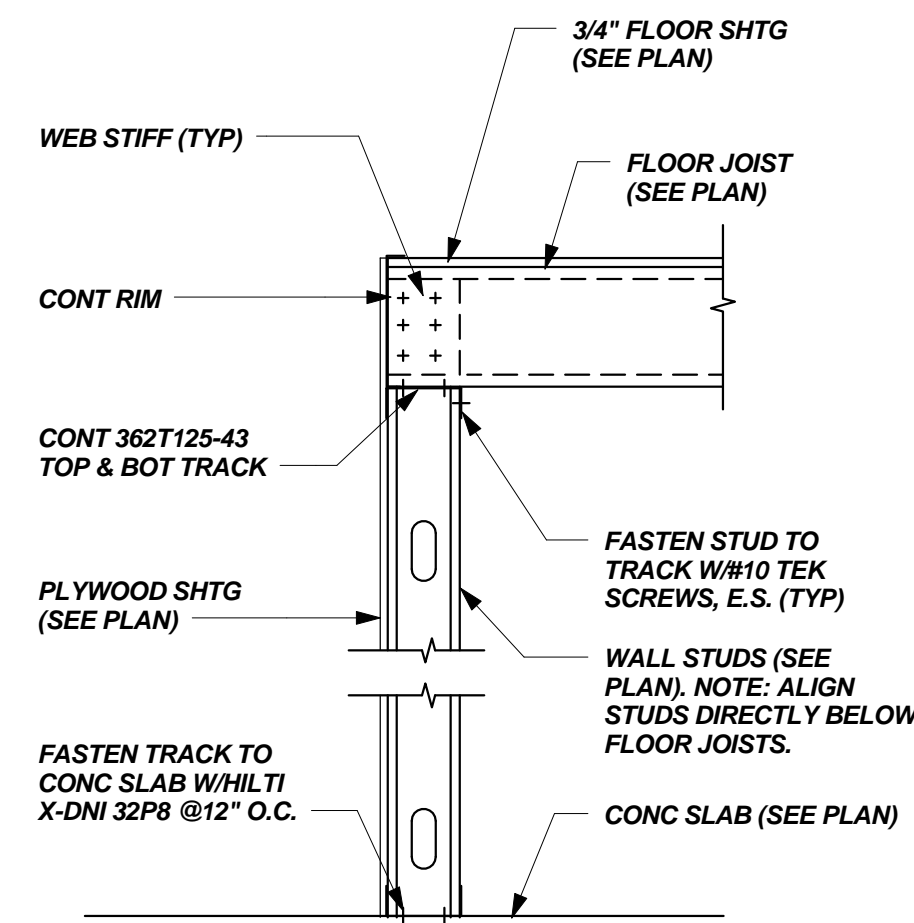
TYP SOLID WEB BLKG TO W BEAM DETAIL
N.T.S.



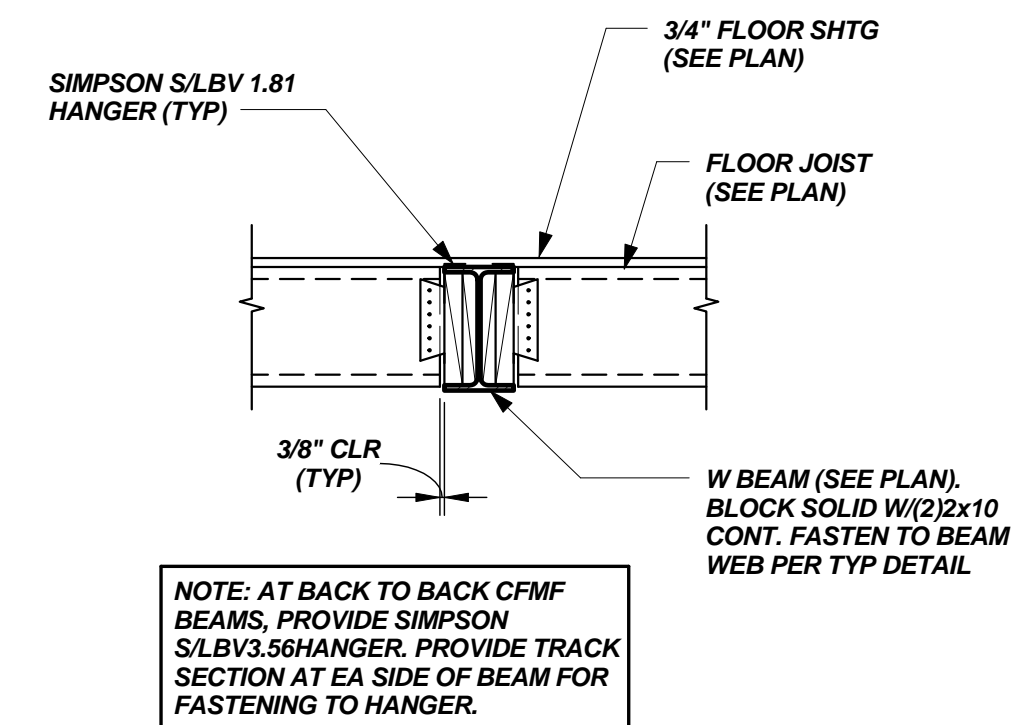
TYP COL BASE DETAIL U.N.O.
N.T.S.



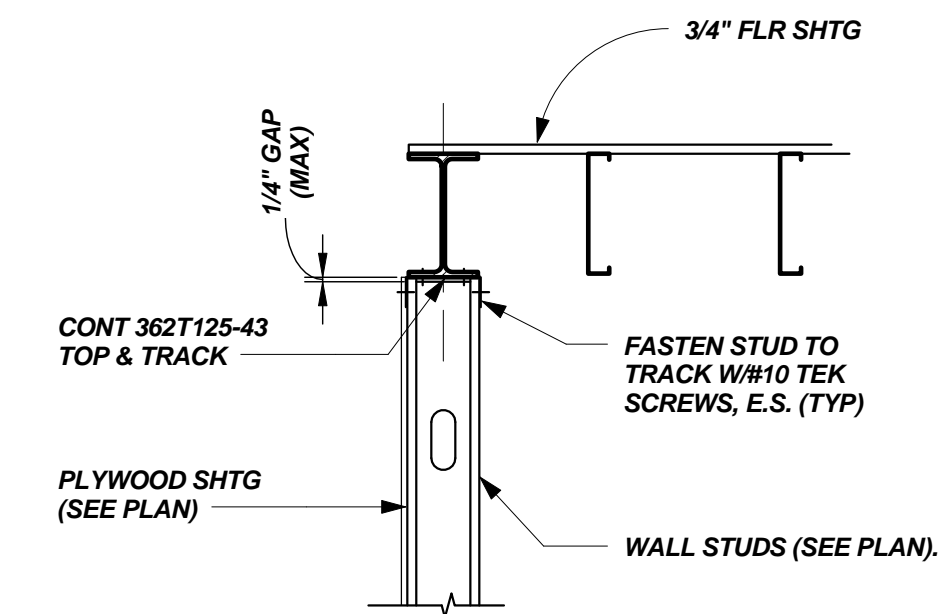
BP-A



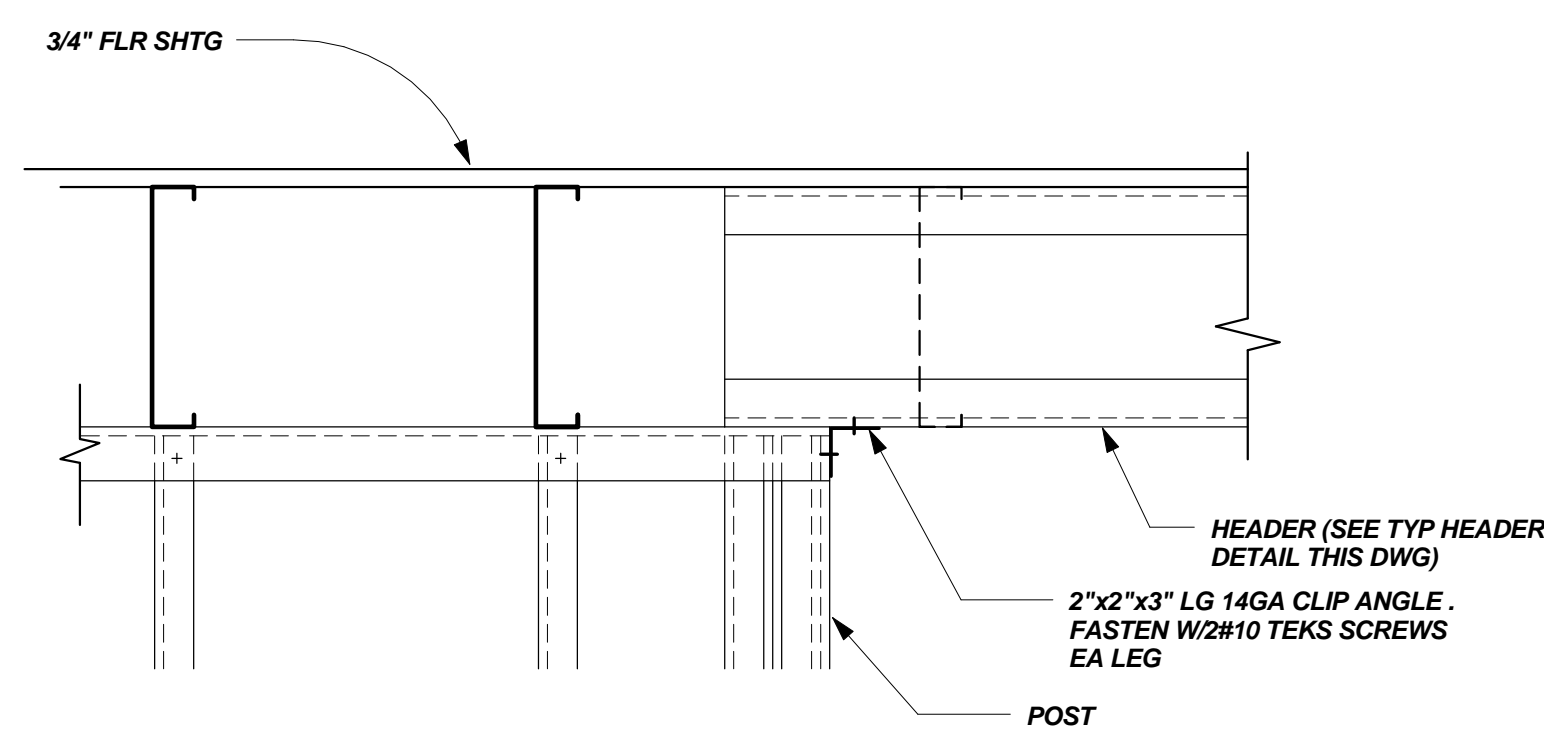
SECTION 1
3/4"=1'-0"



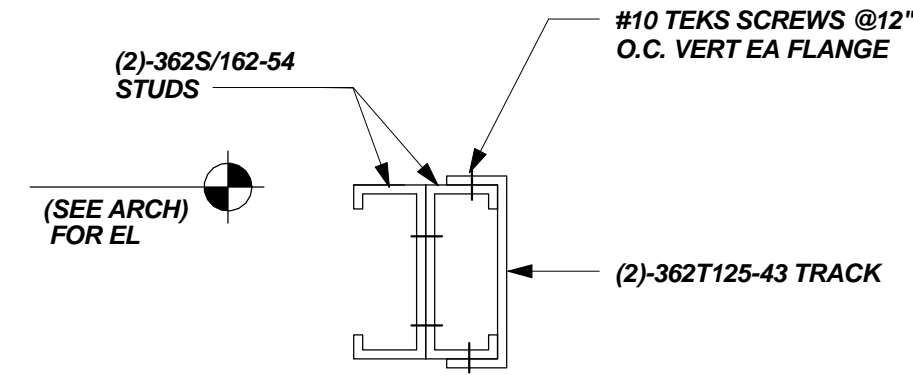
SECTION 2
3/4"=1'-0"



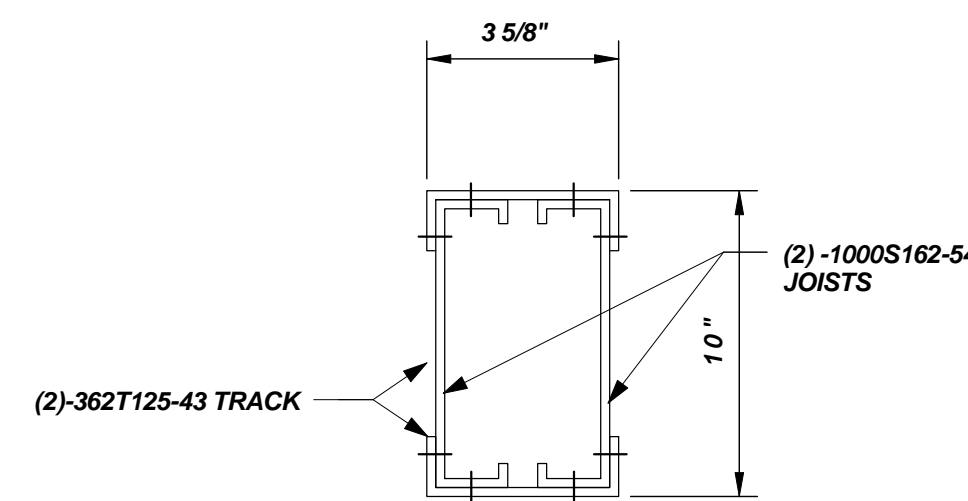
SECTION 3
3/4"=1'-0"



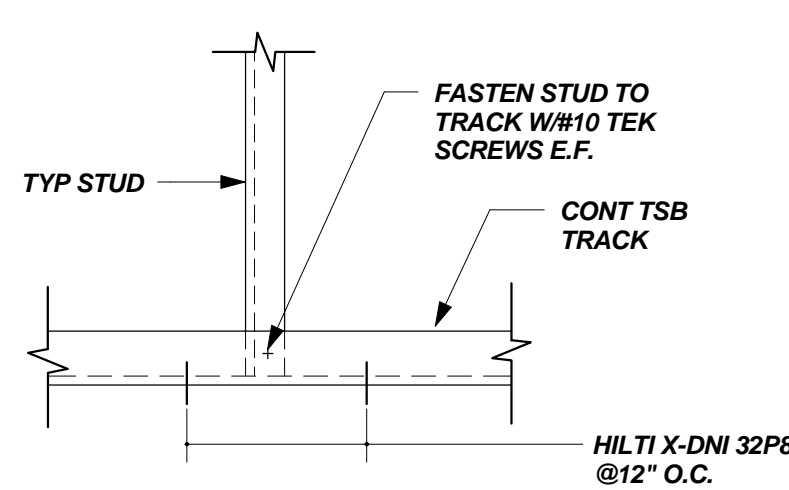
TYP HEADER ELEVATION DETAIL
N.T.S.



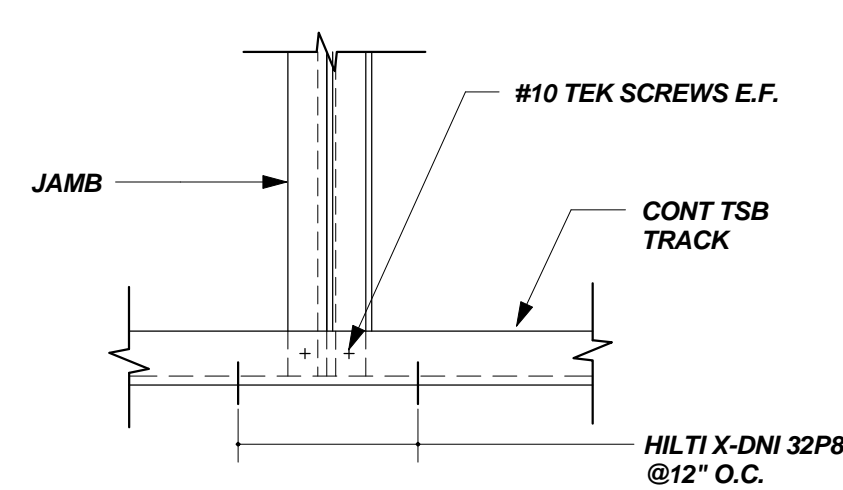
TYP POST DETAIL
N.T.S.



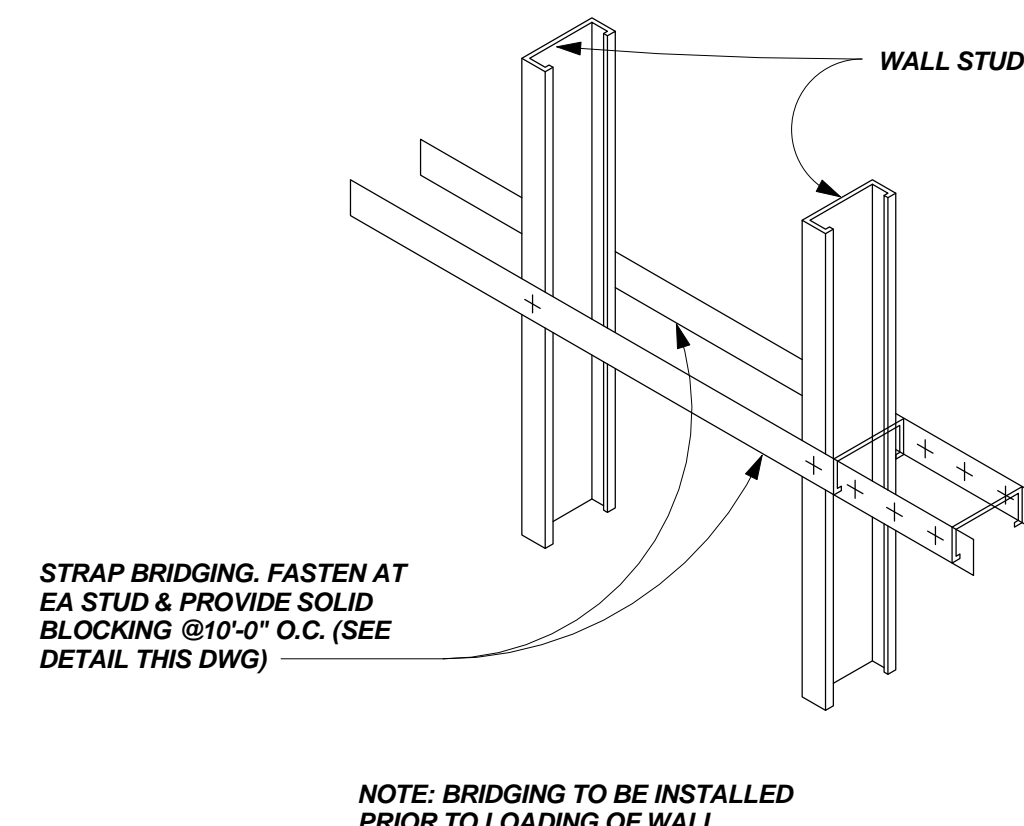
TYP HEADER DETAIL
N.T.S.



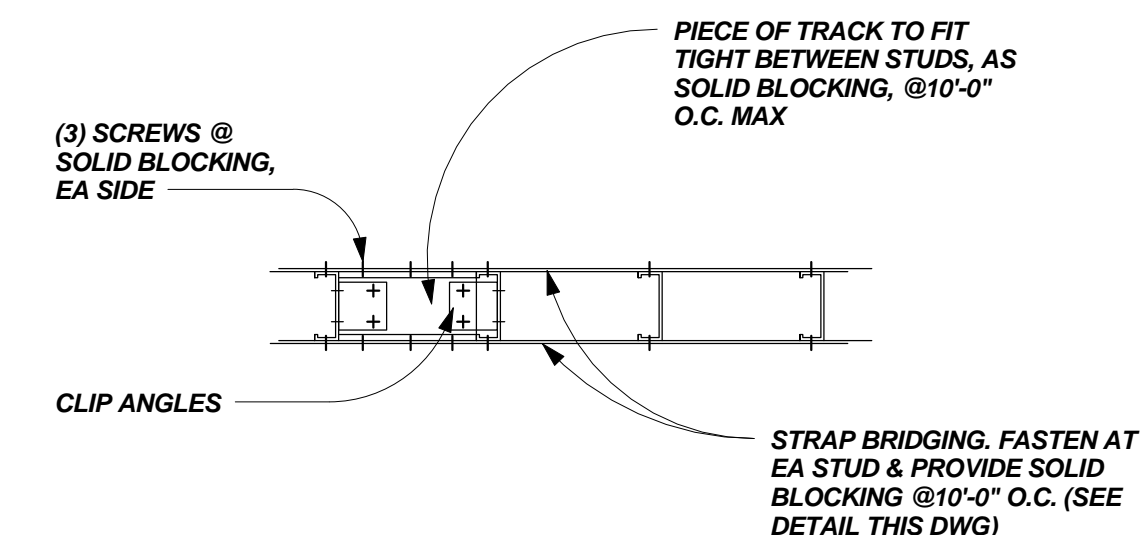
TYP STUD CONN DETAIL
N.T.S.



TYP JAMB CONN DETAIL
N.T.S.



TYP STRAP BRIDGING DETAIL
N.T.S.



PLAN TYP SOLID BLOCKING DETAIL
N.T.S.

THIS DRAWING IS THE PROPERTY OF CANAL 5 STUDIO AND IS NOT TO BE COPIED OR REPRODUCED IN PART OR WHOLE. 2014 © CANAL 5 STUDIO

Mark Date Description

Project Status

PERMIT SET
NOT FOR CONSTRUCTION

November 26, 2014

Drawing Title

FRAMING SECTIONS AND DETAILS

Scale: As indicated

Drawing Number

S3.1