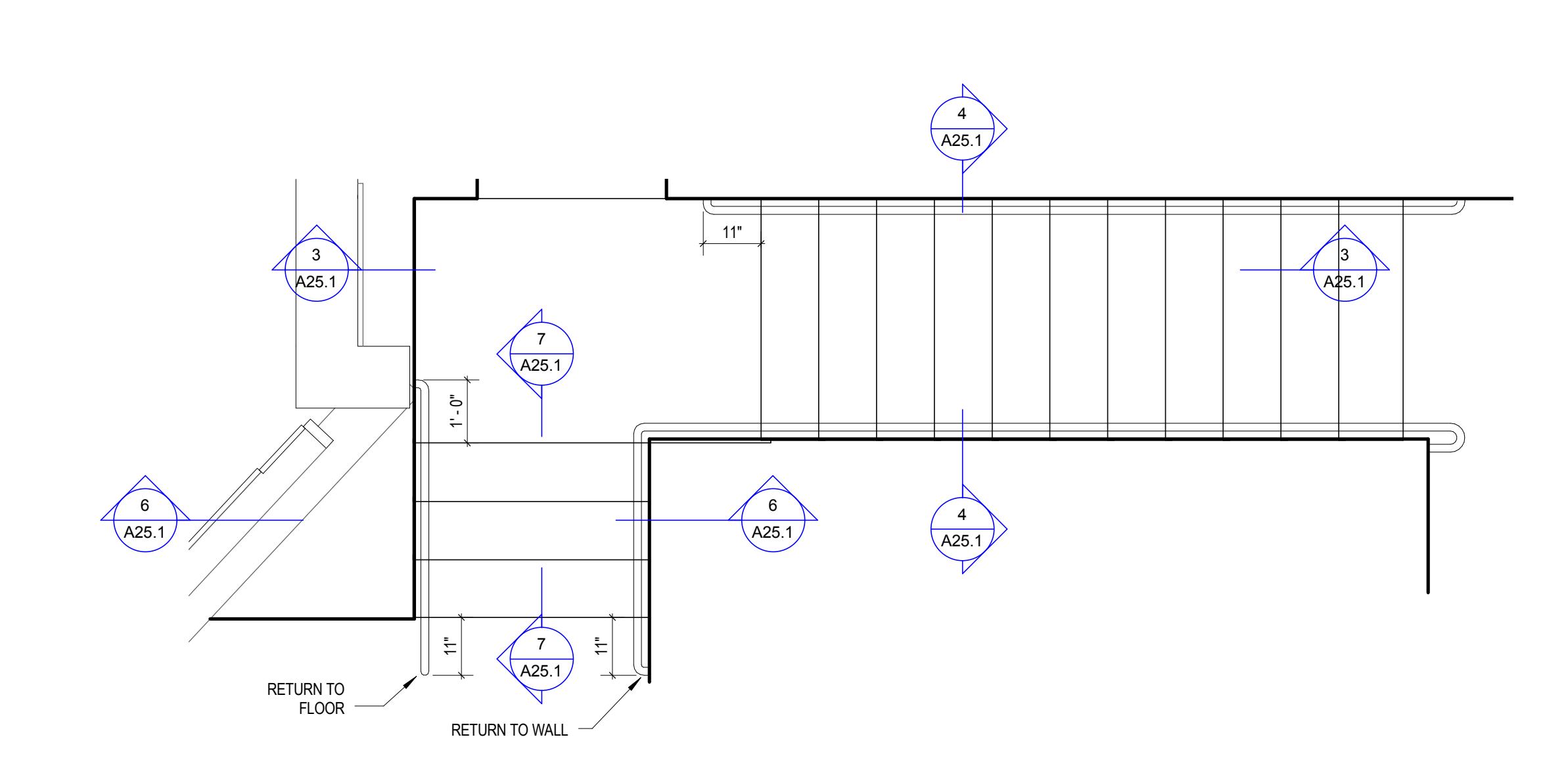
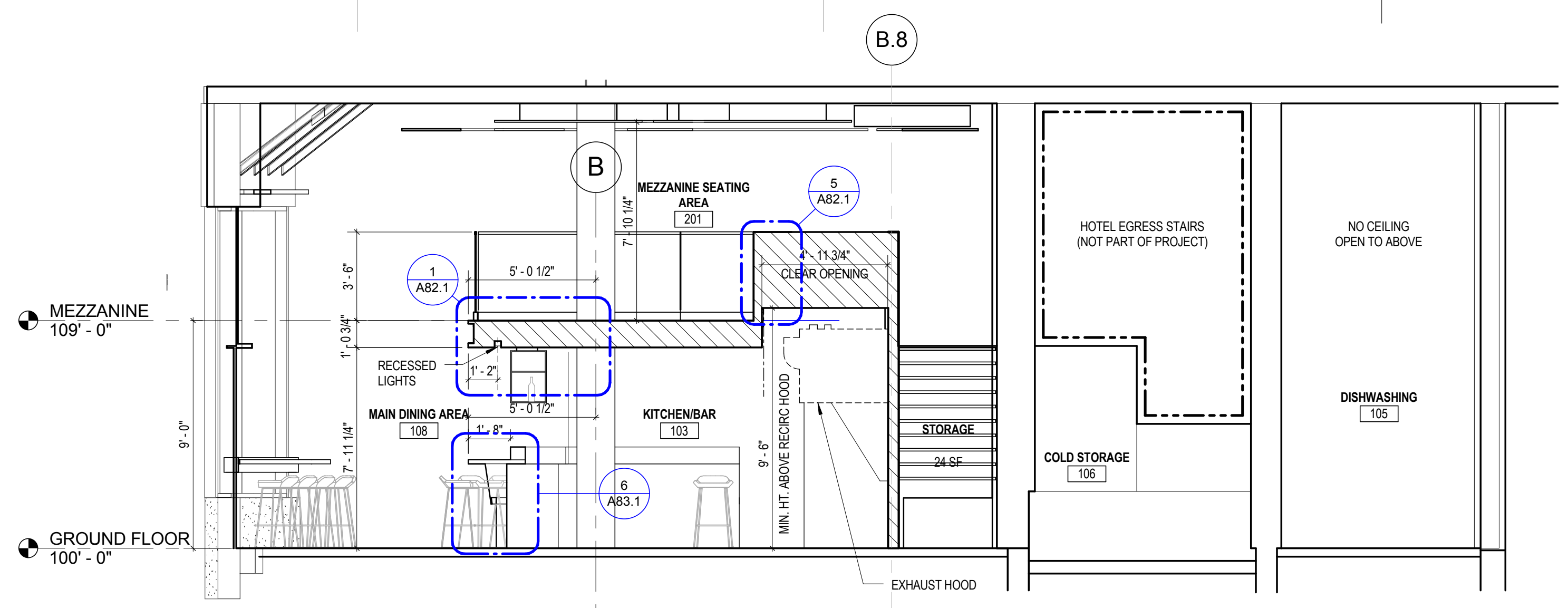
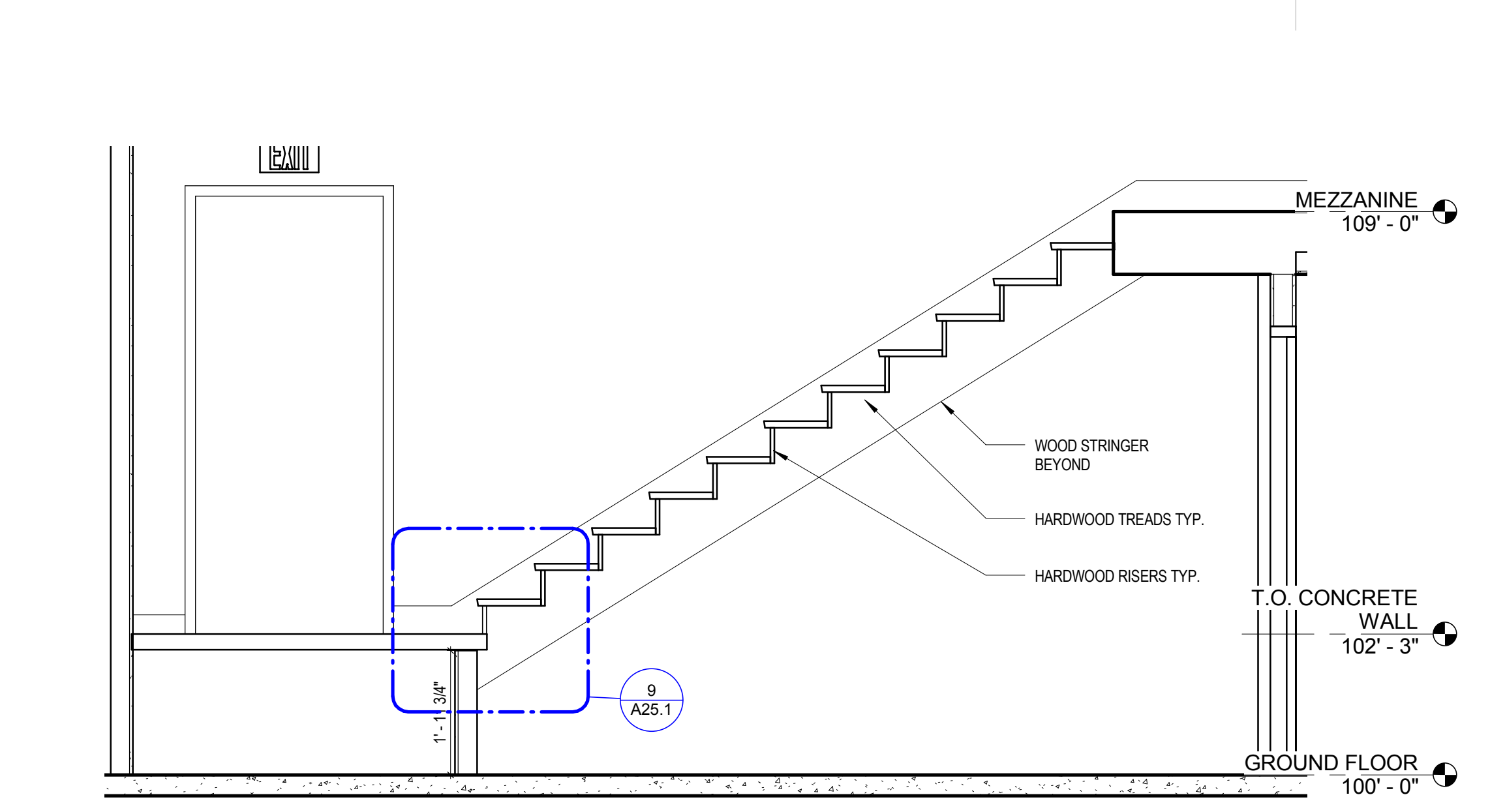
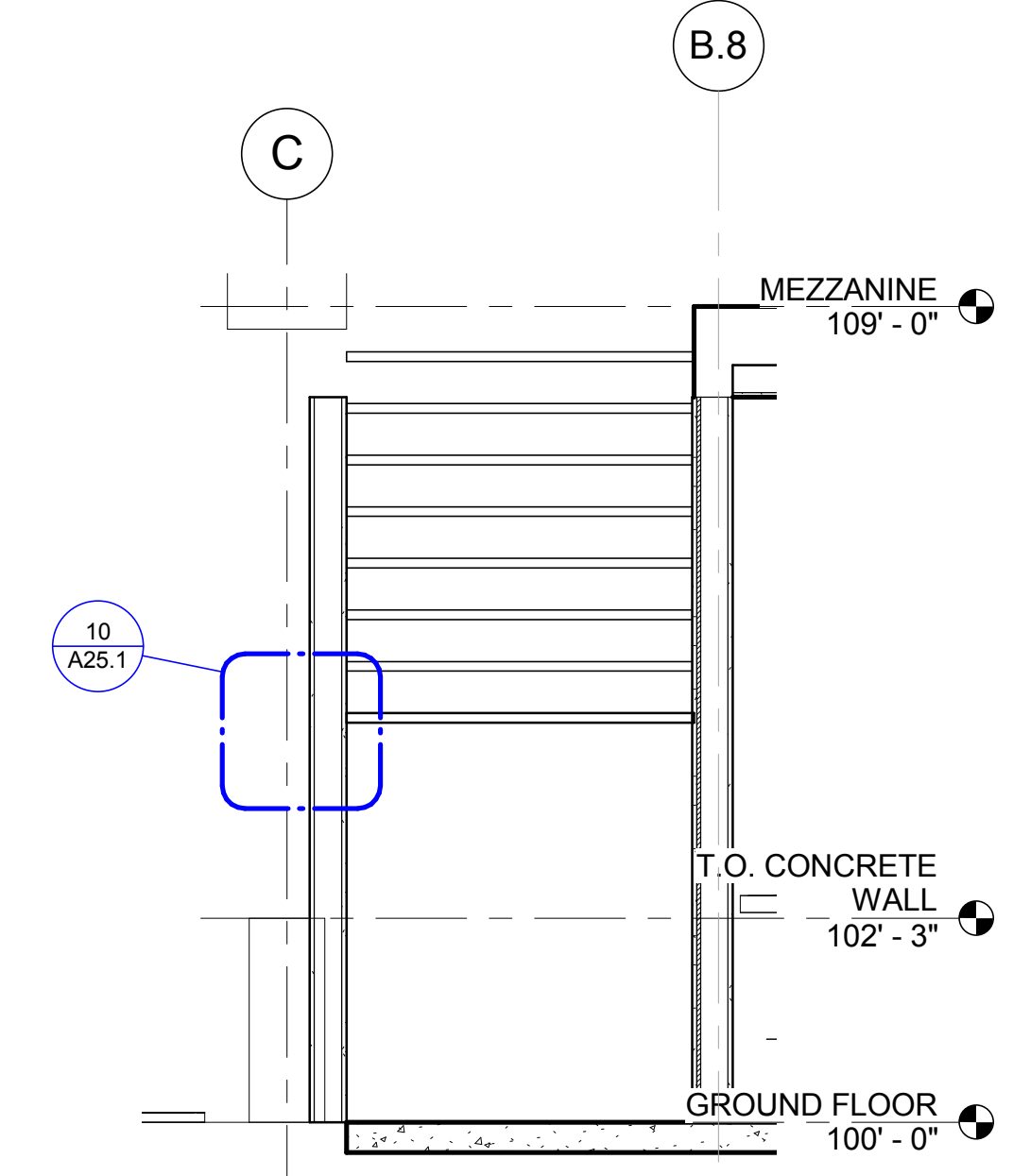
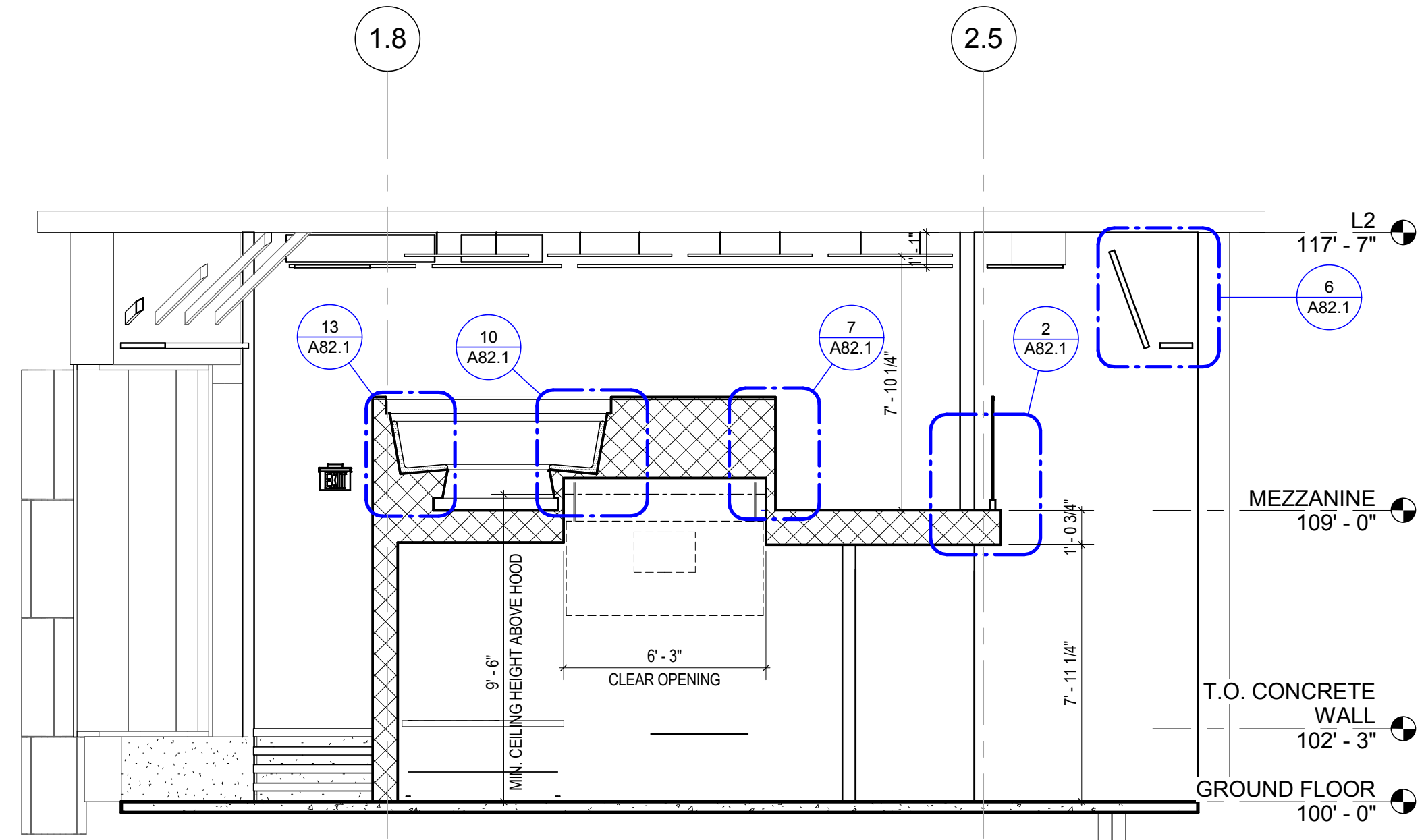
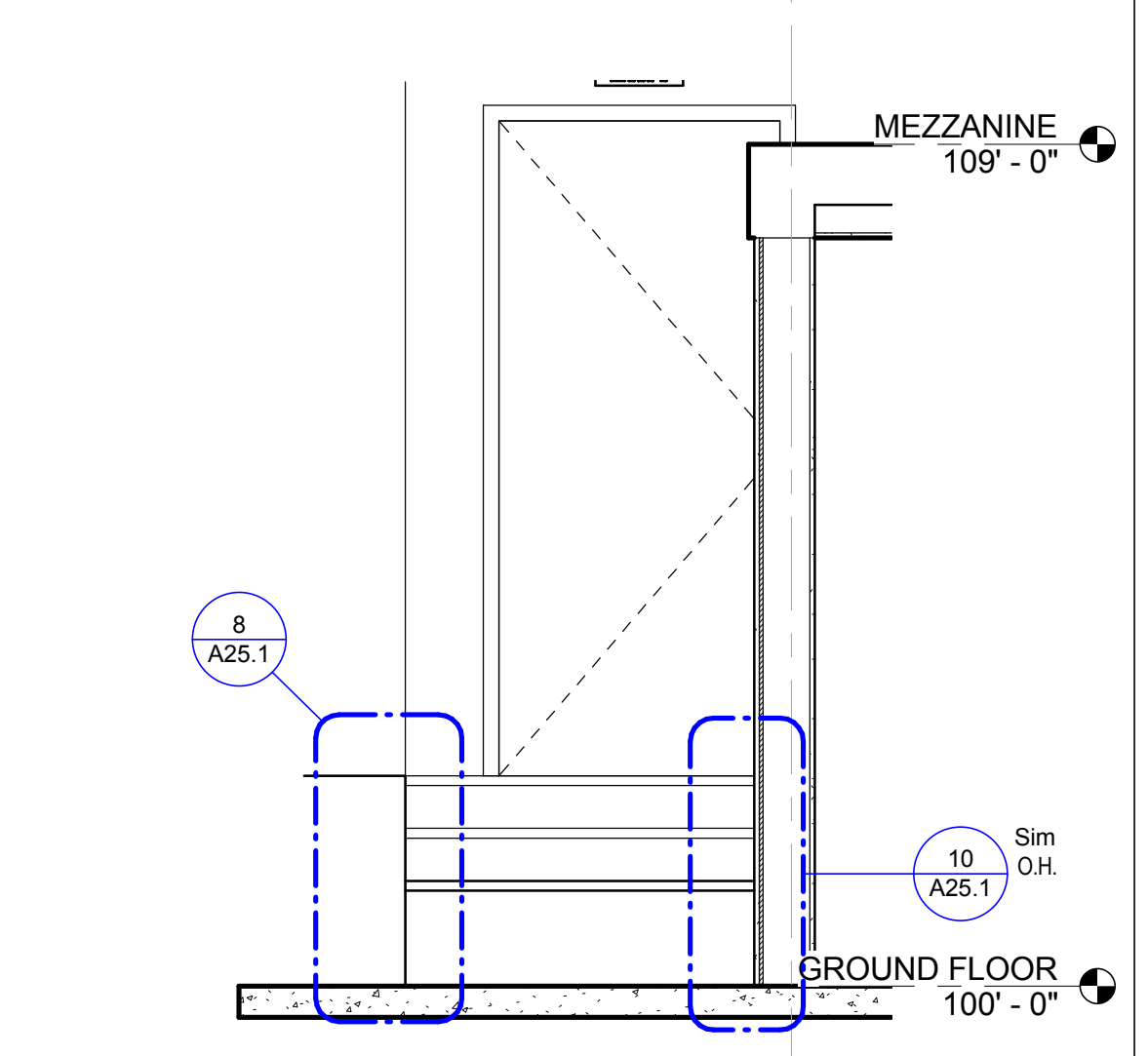
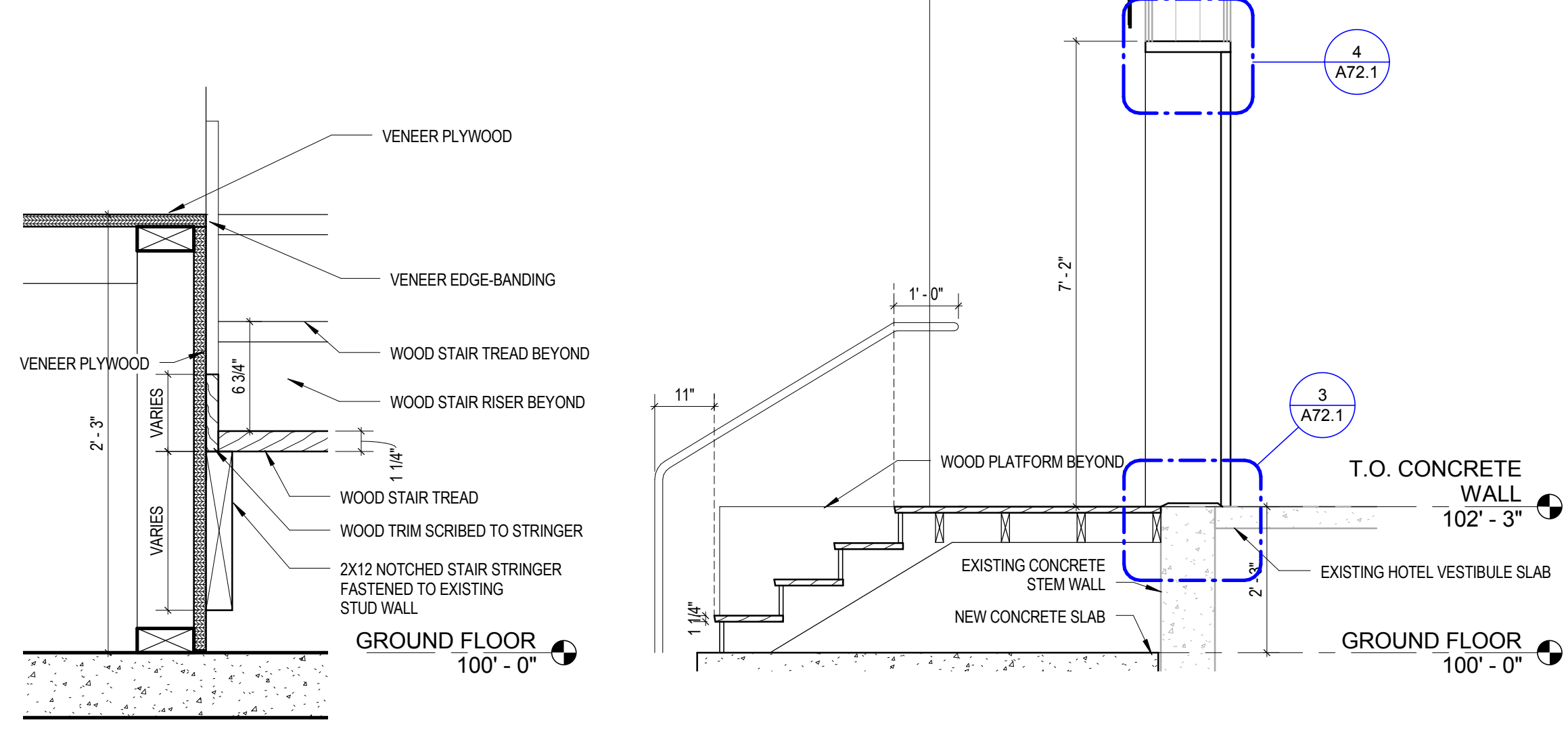
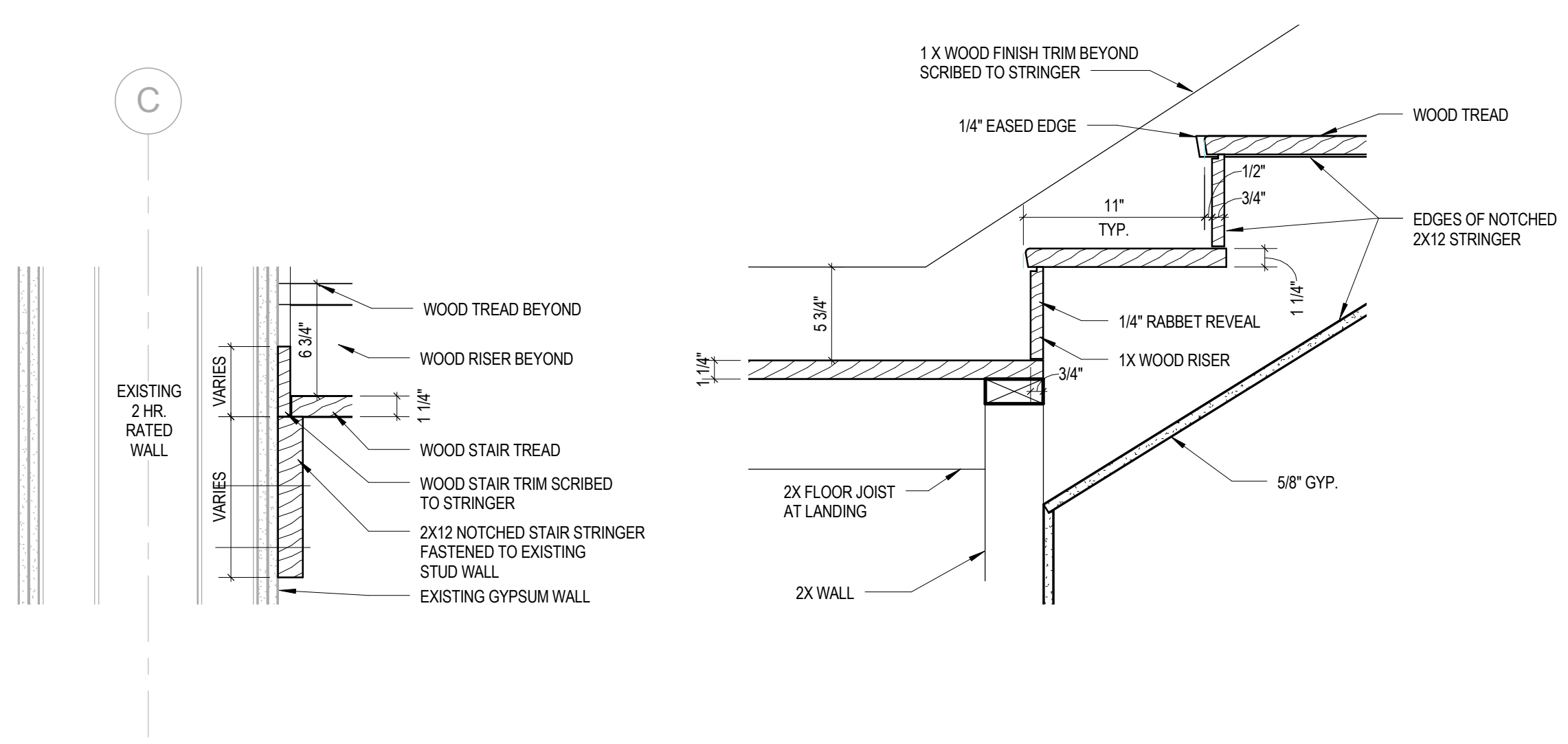


STAIR NOTES:
 STAIRS ARE WOOD FRAMED WITH
 STAINED WHITE OAK TREADS AND
 RISERS.



THIS DRAWING IS THE PROPERTY OF CANAL 5 STUDIO
 AND IS NOT TO BE COPIED OR REPRODUCED IN PART
 OR WHOLE. 2014 © CANAL 5 STUDIO

Project Status
ISSUED FOR PERMIT
 DECEMBER 05, 2014

Drawing Title
BLDG. SECTIONS AND STAIRS

Scale: As indicated

Drawing Number
A25.1