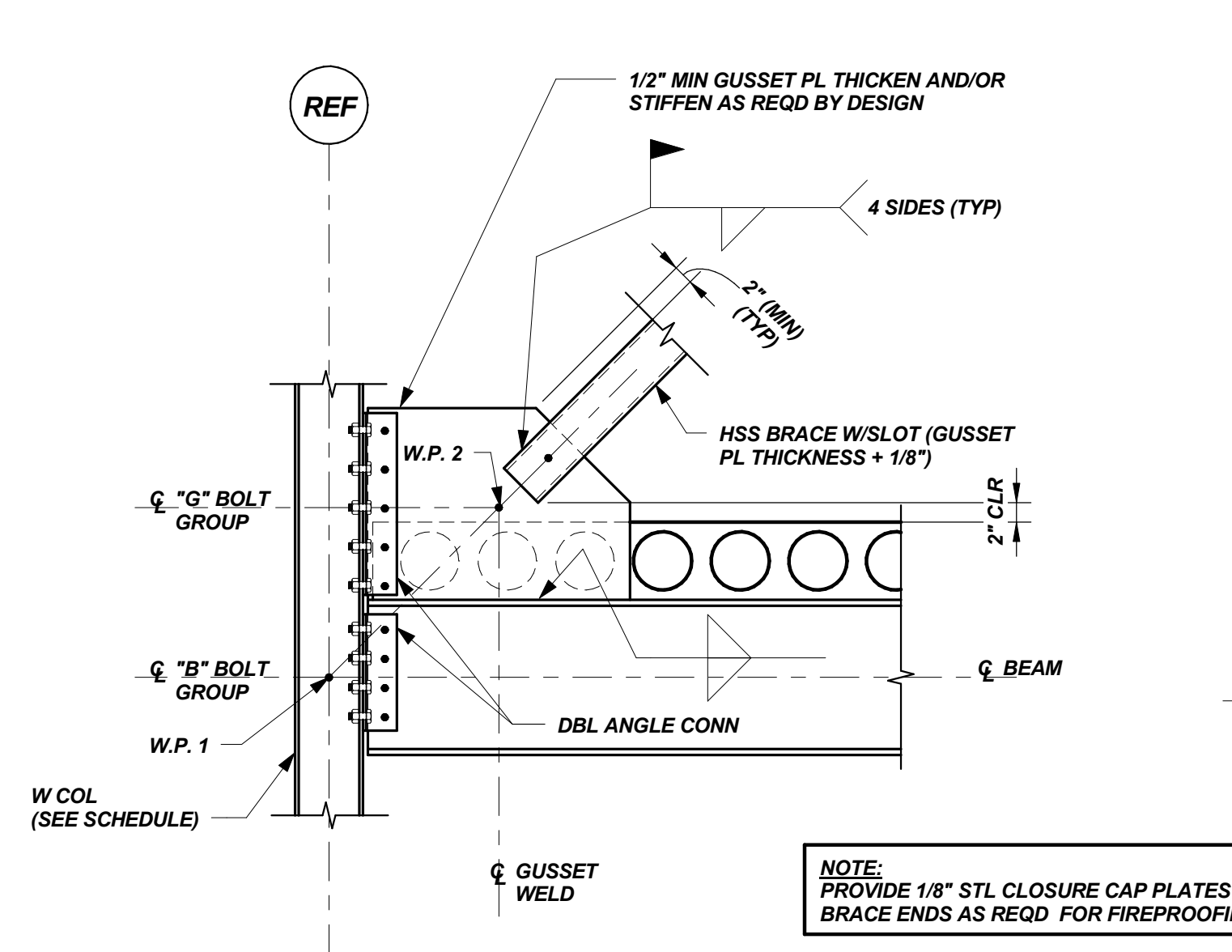
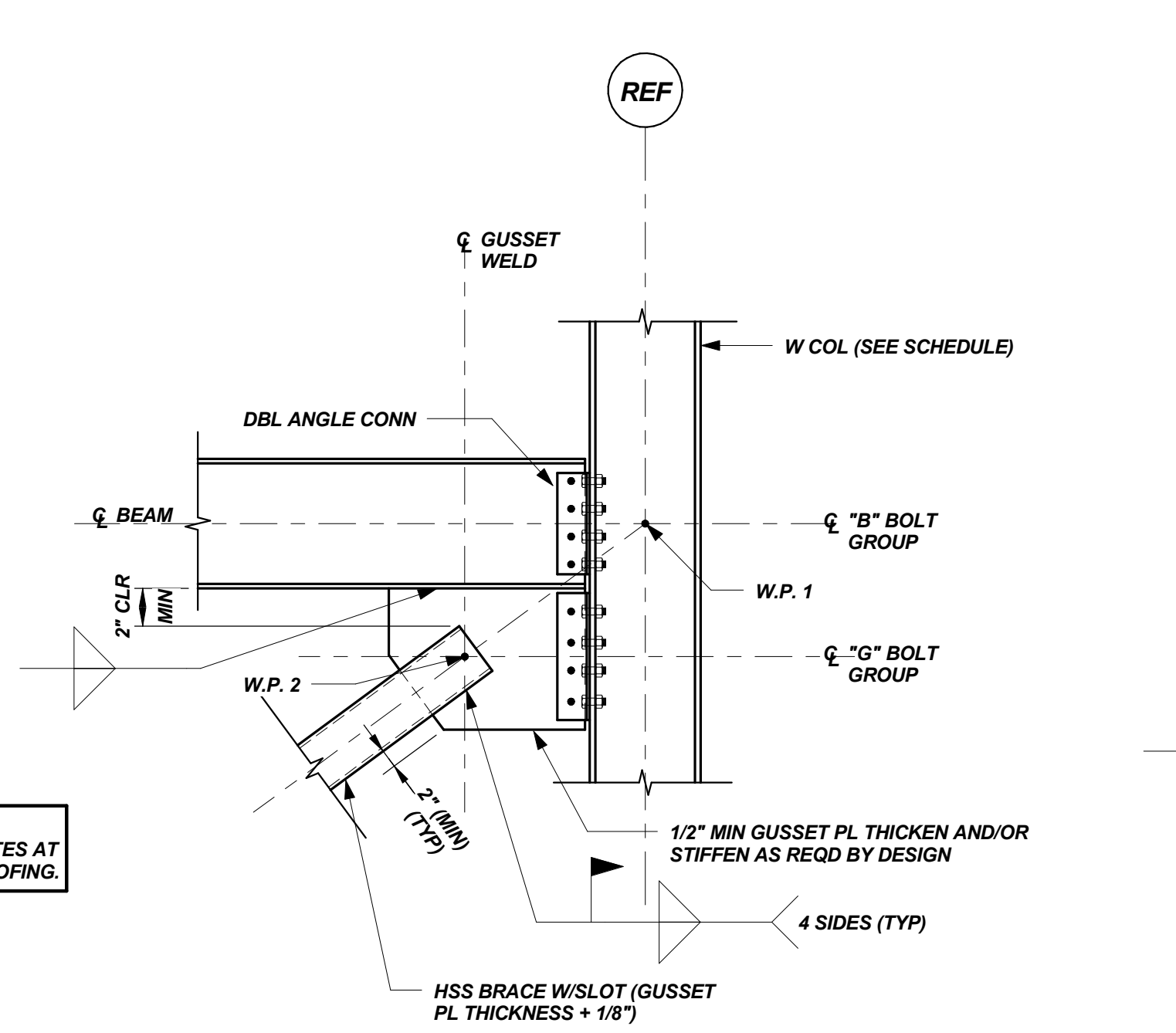


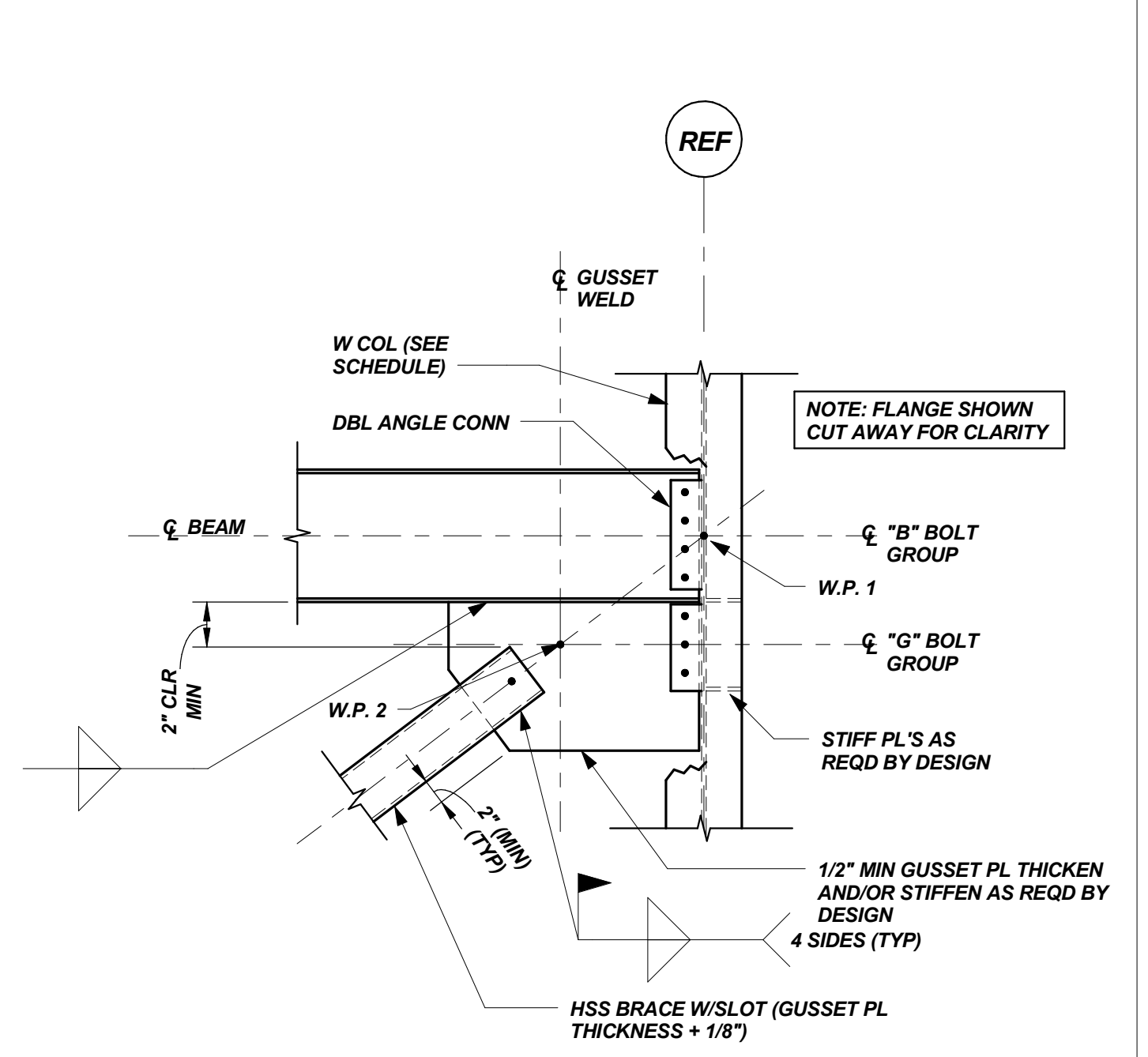
DETAIL
 3/4"=1'-0"
 A
 S2.1, S2.2



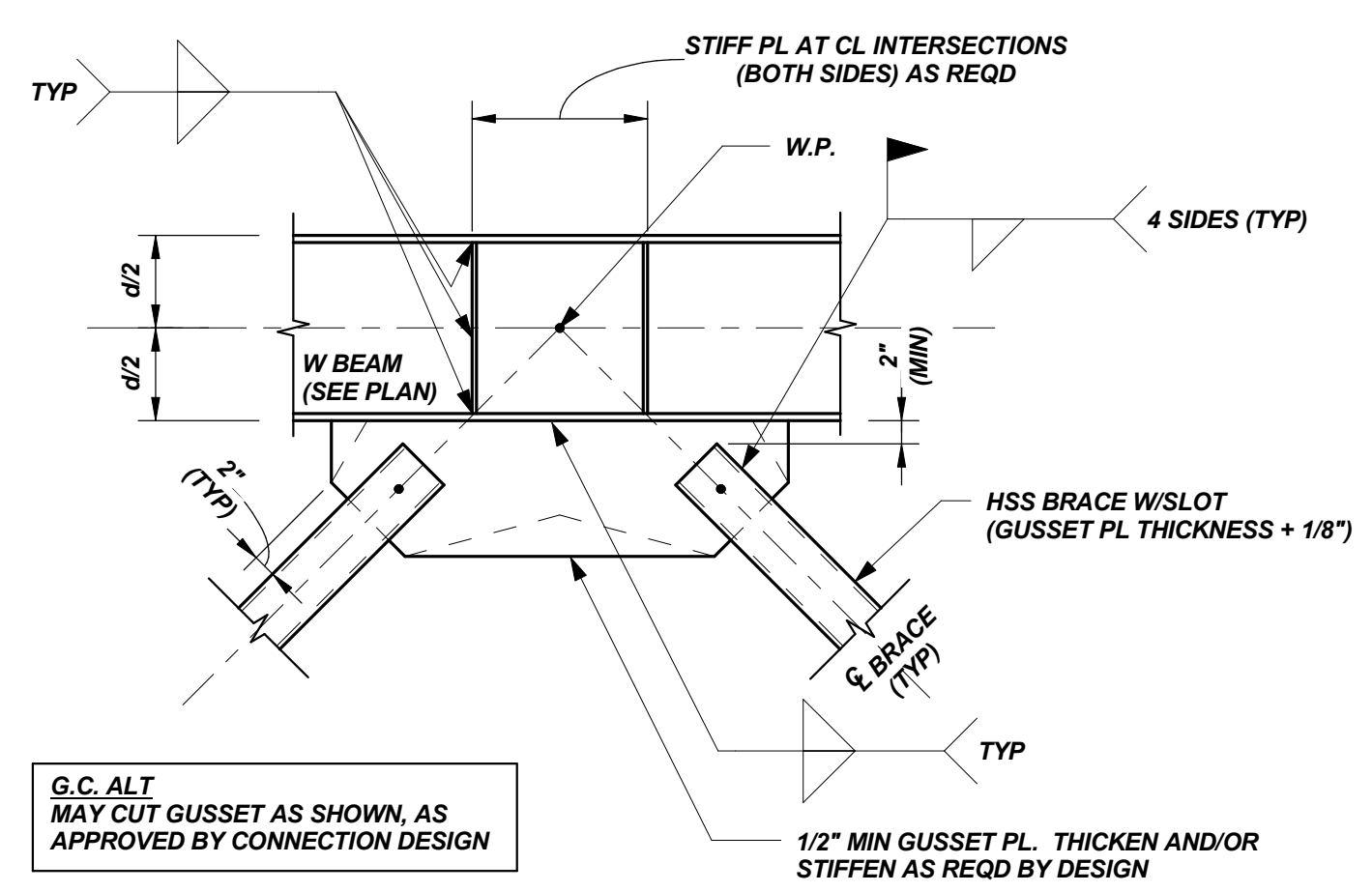
DETAIL
 3/4"=1'-0"
 B
 S2.1, S2.2



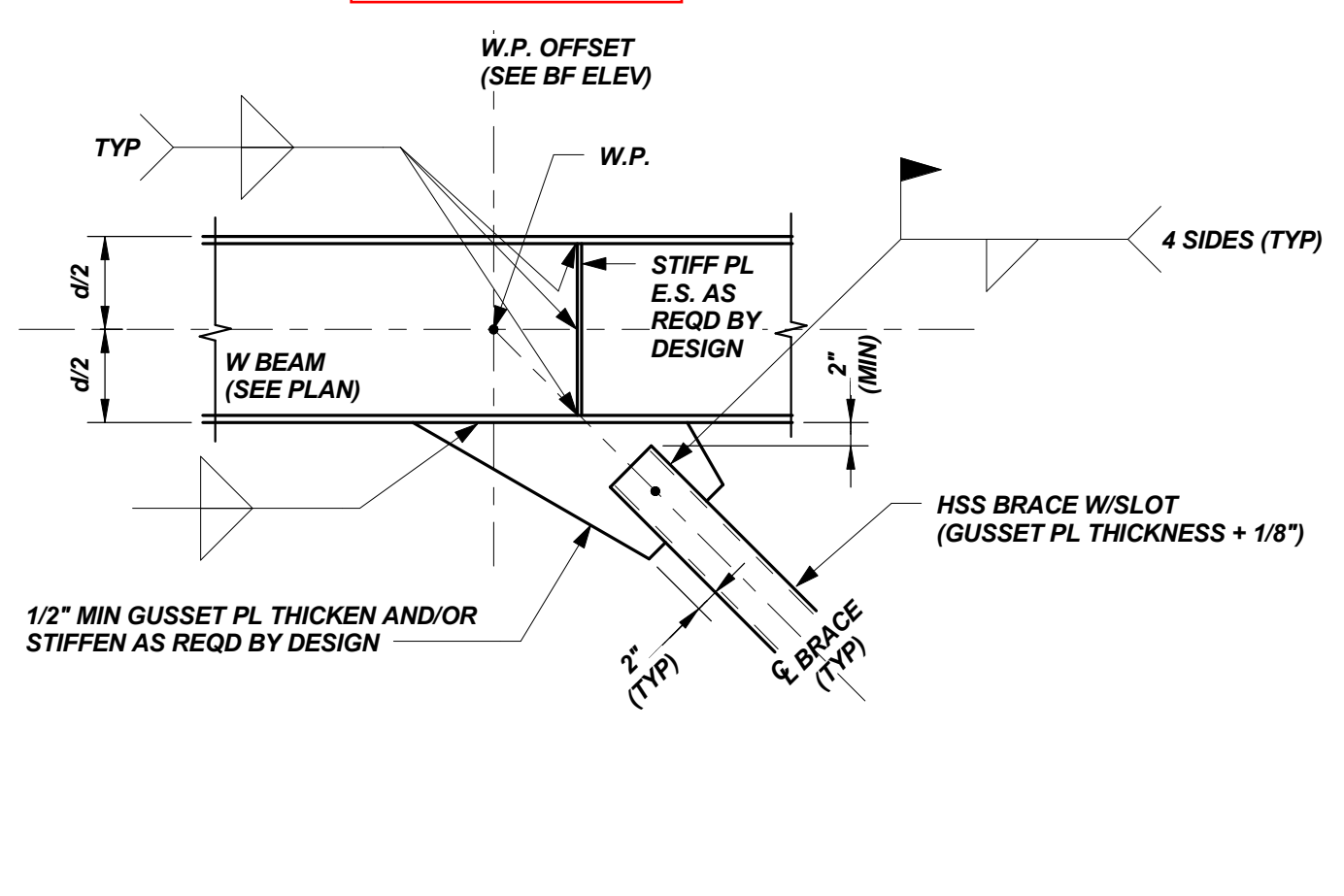
DETAIL
 3/4"=1'-0"
 C
 S2.1, S2.2



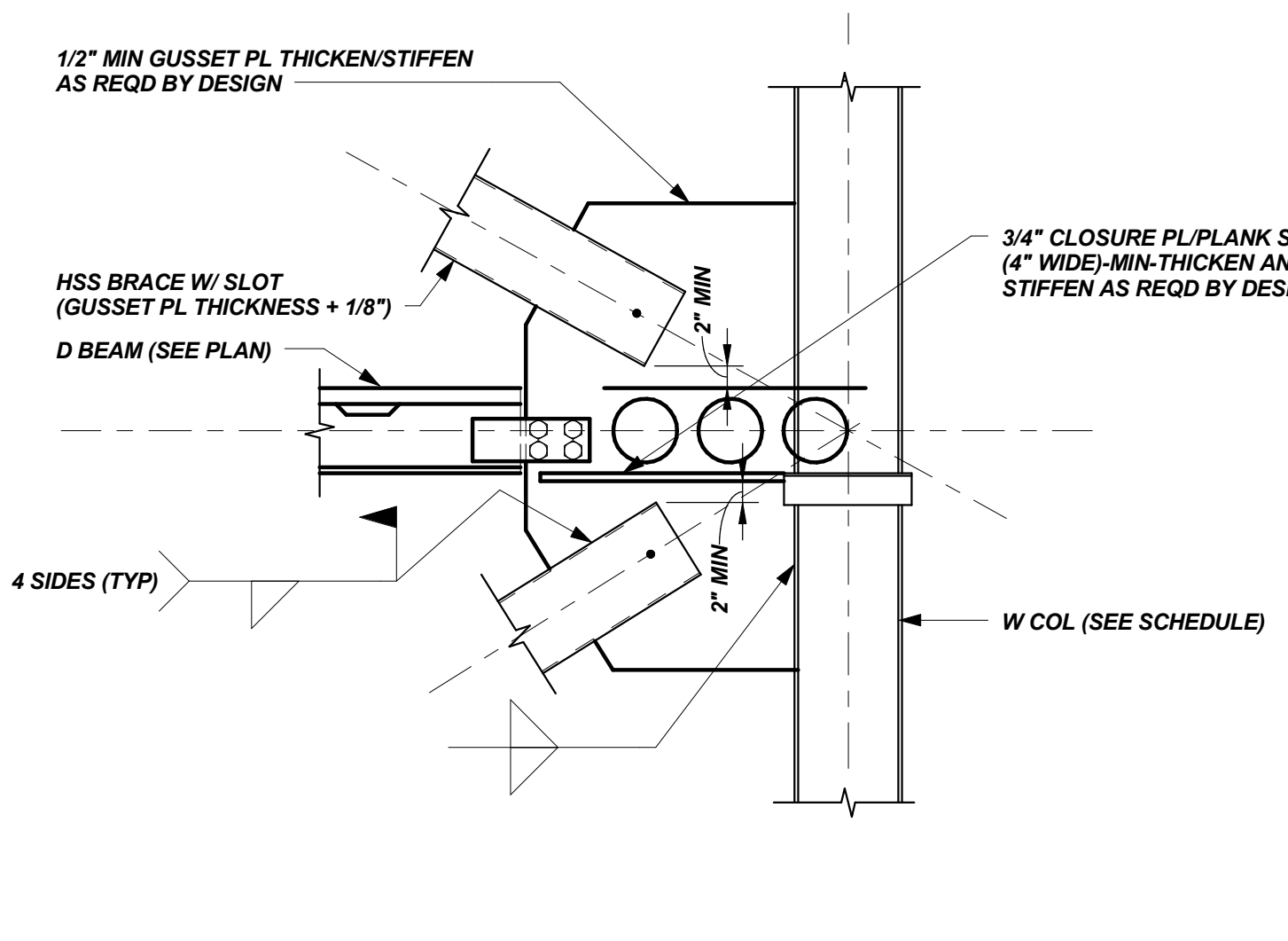
DETAIL
 3/4"=1'-0"
 D
 S2.1, S2.2



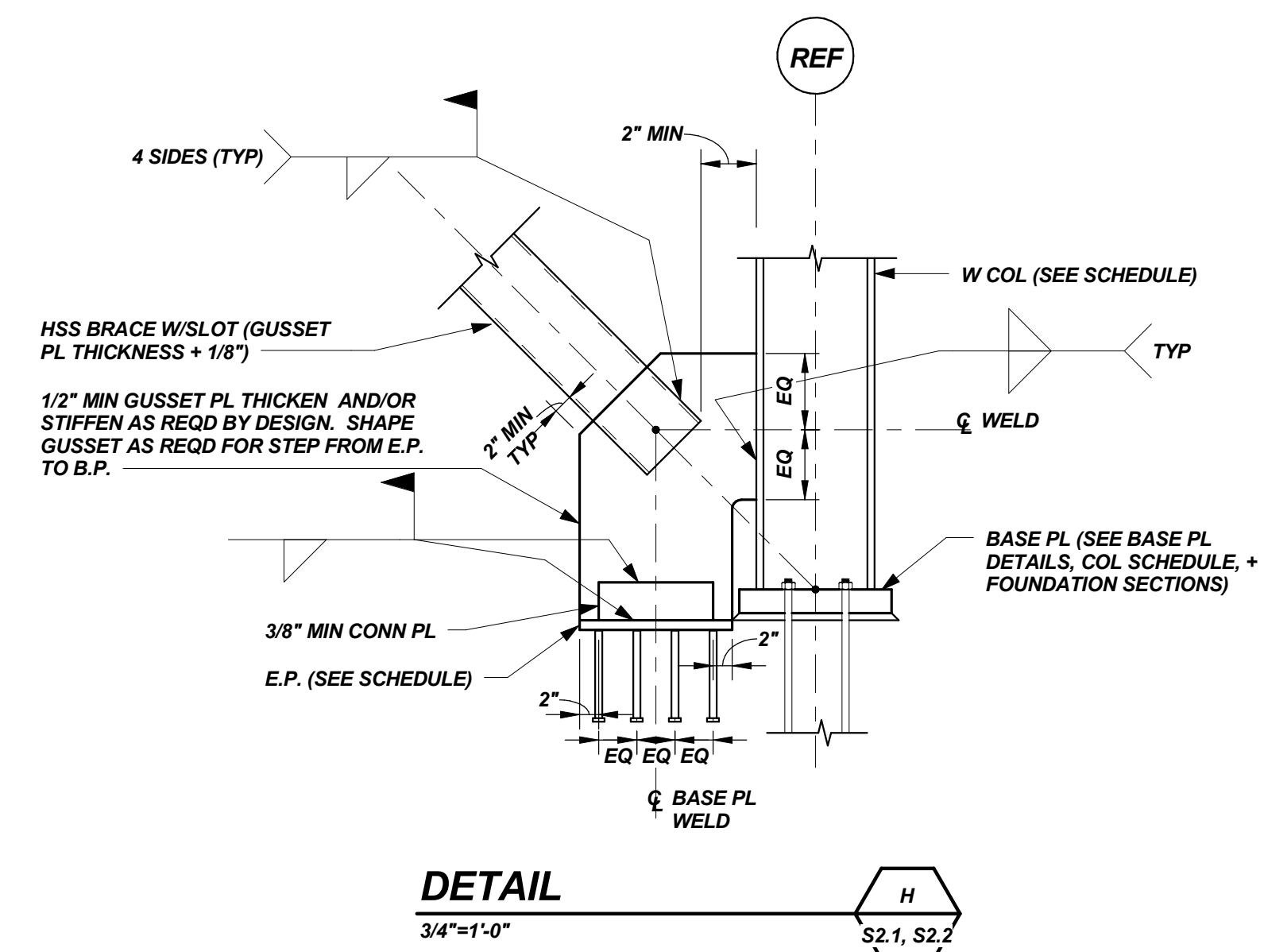
DETAIL
 3/4"=1'-0"
 E
 S2.1, S2.2



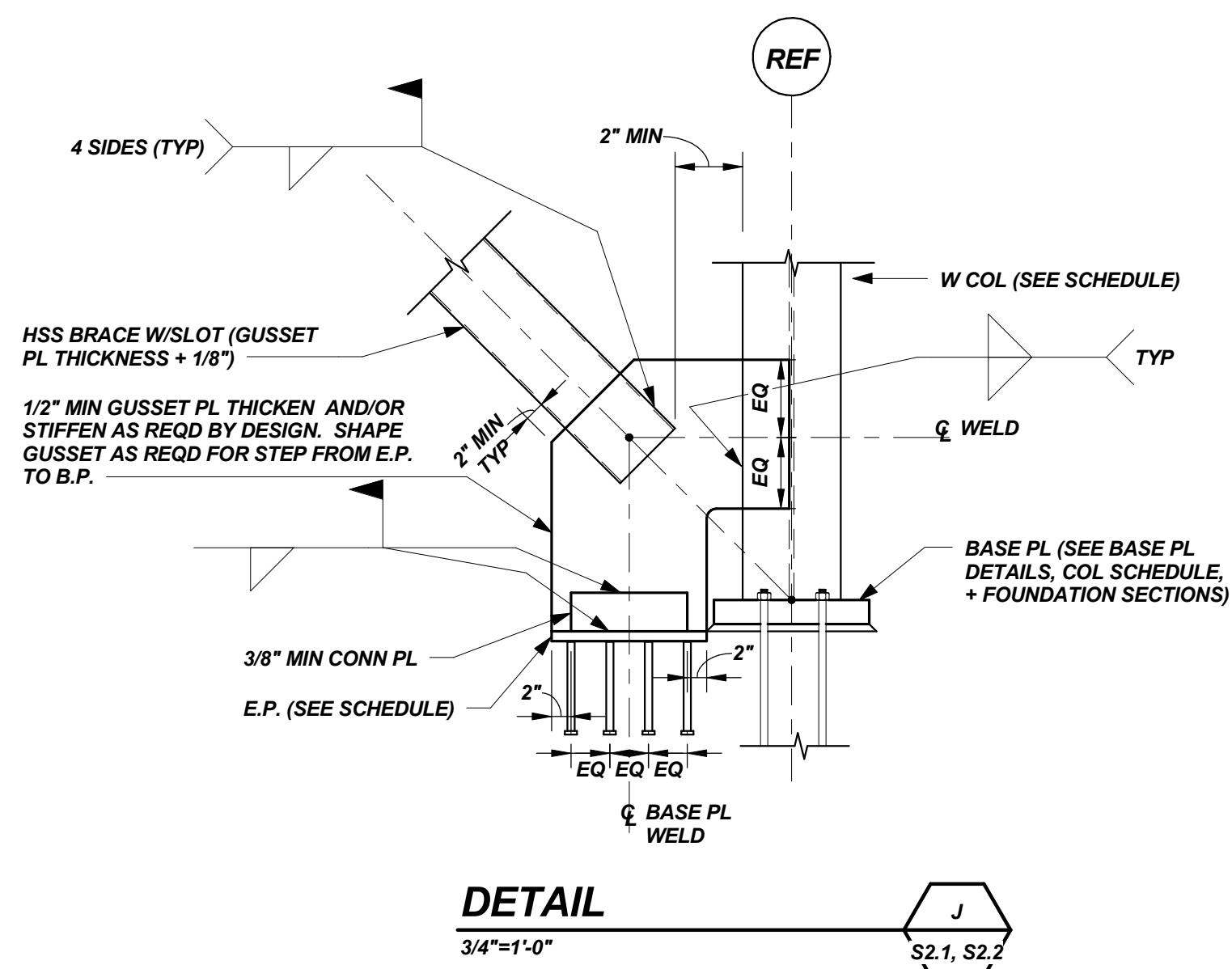
DETAIL
 3/4"=1'-0"
 F
 S2.1, S2.2



DETAIL
 3/4"=1'-0"
 G
 S2.1, S2.2



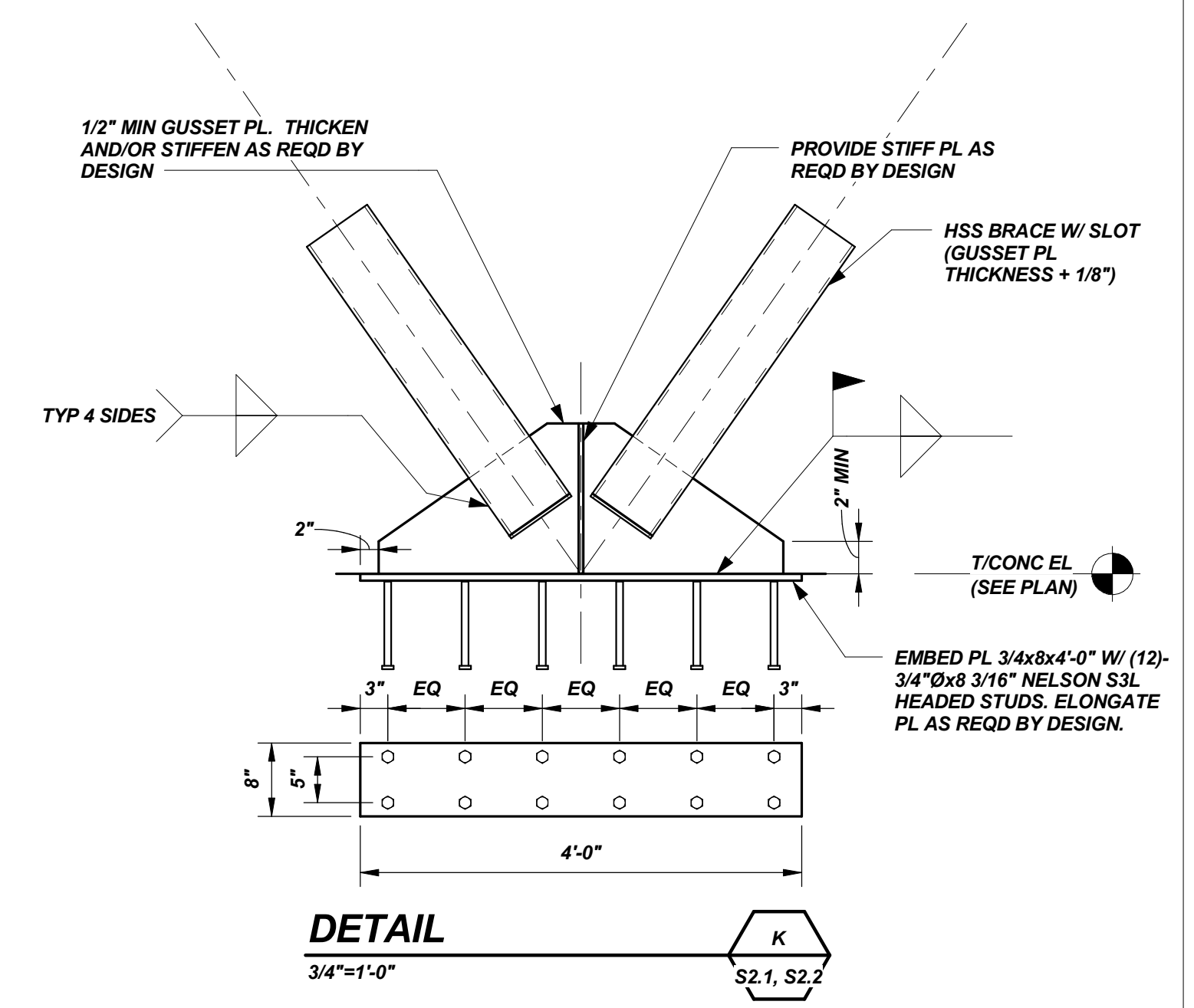
DETAIL
 3/4"=1'-0"
 H
 S2.1, S2.2



DETAIL
 3/4"=1'-0"
 J
 S2.1, S2.2

EMBED PLATE SCHEDULE			
EMBED PLATE	LOCATION	# STUDS	PLATE LENGTH
EP-1	D/1	14	2'-4"
EP-2	D/6 & D/8	12	2'-0"
EP-3	C.5/2, C/4, C/5 & D/5	8	1'-4"

- NOTES:**
1. PLATE SHALL BE 1"x8" GR36.
 2. STUDS SHALL BE 3/4"Øx8 3/16" NELSON S3L HEADED STUDS IN (2) ROWS



DETAIL
 3/4"=1'-0"
 K
 S2.1, S2.2

See RFI 002 for provided dimensions and comments.

G.C. ALT MAY CUT GUSSET AS SHOWN, AS APPROVED BY CONNECTION DESIGN

NOTE: FLANGE SHOWN CUT AWAY FOR CLARITY

NOTE: PROVIDE 1/8" STL CLOSURE CAP PLATES AT BRACE ENDS AS REQD FOR FIREPROOFING.

NOTE: FLANGE SHOWN CUT AWAY FOR CLARITY

1/2" MIN GUSSET PL THICKEN AND/OR STIFFEN AS REQD BY DESIGN