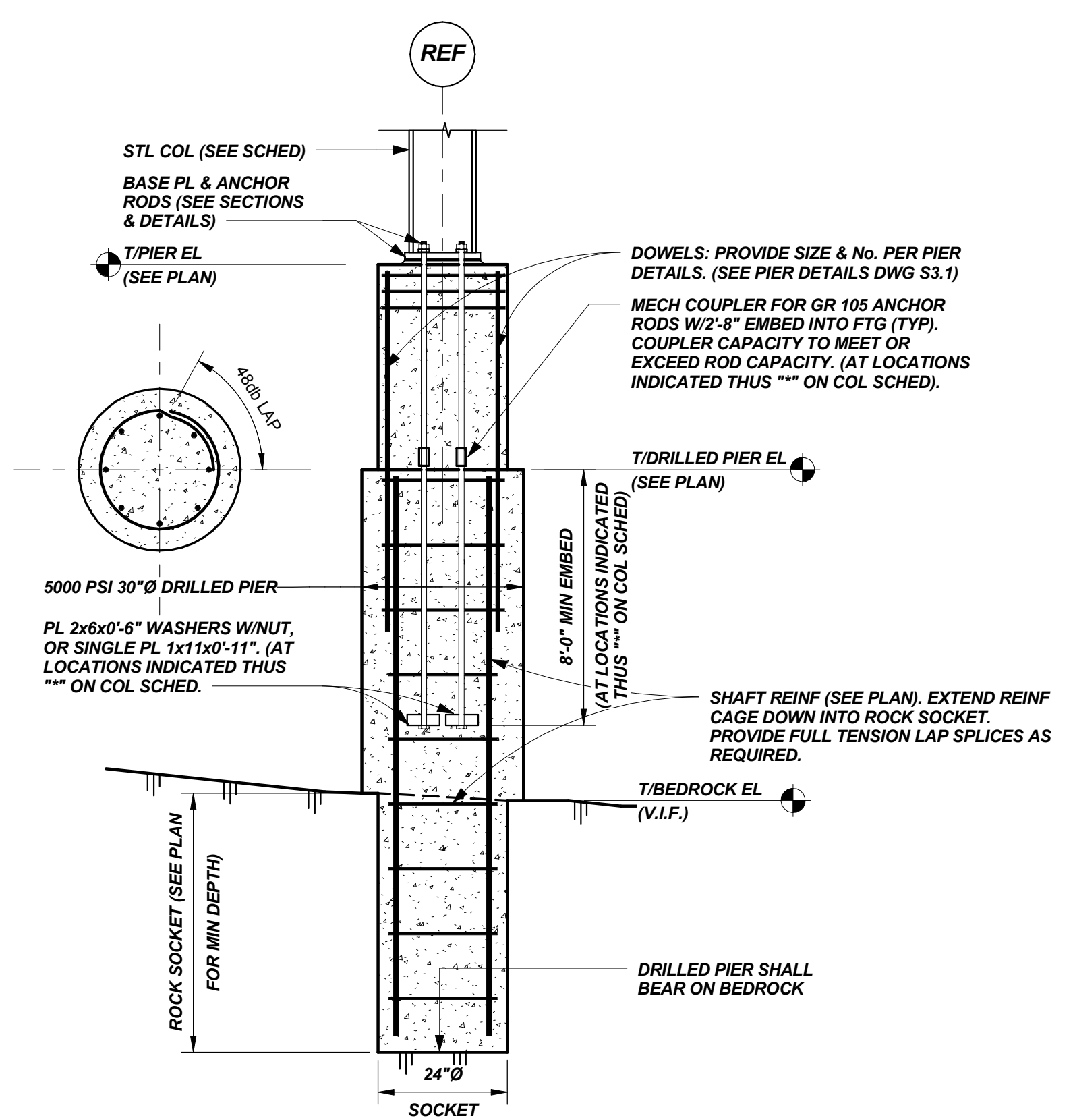
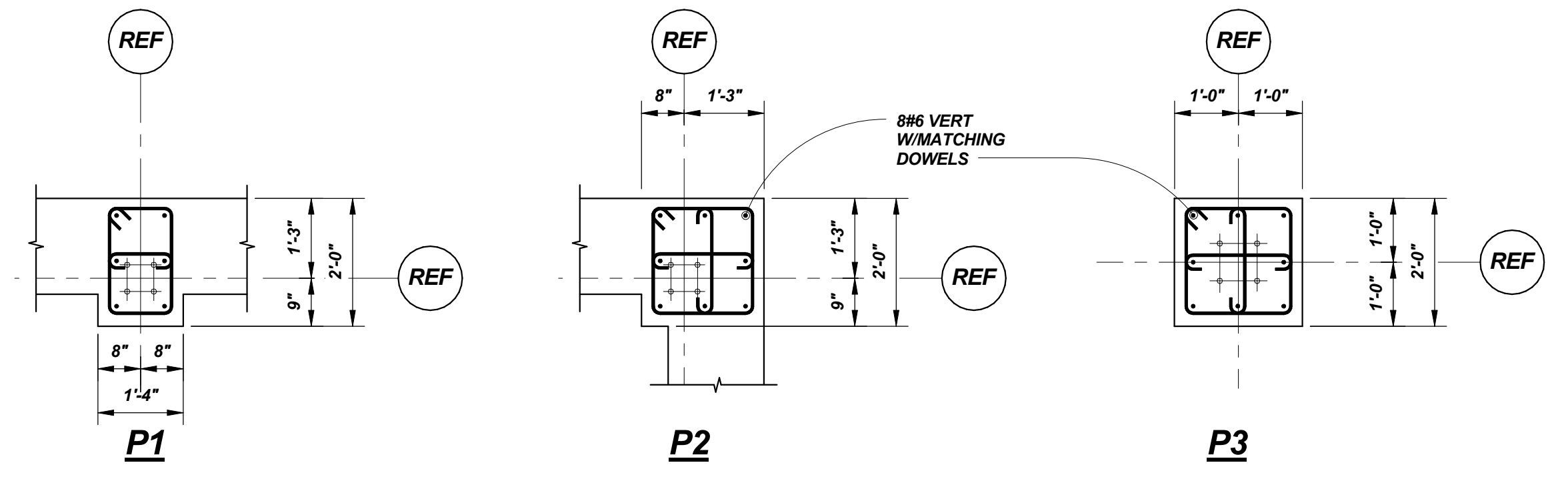


TYP ROCK ANCHOR DETAIL
1/2"=1'-0"

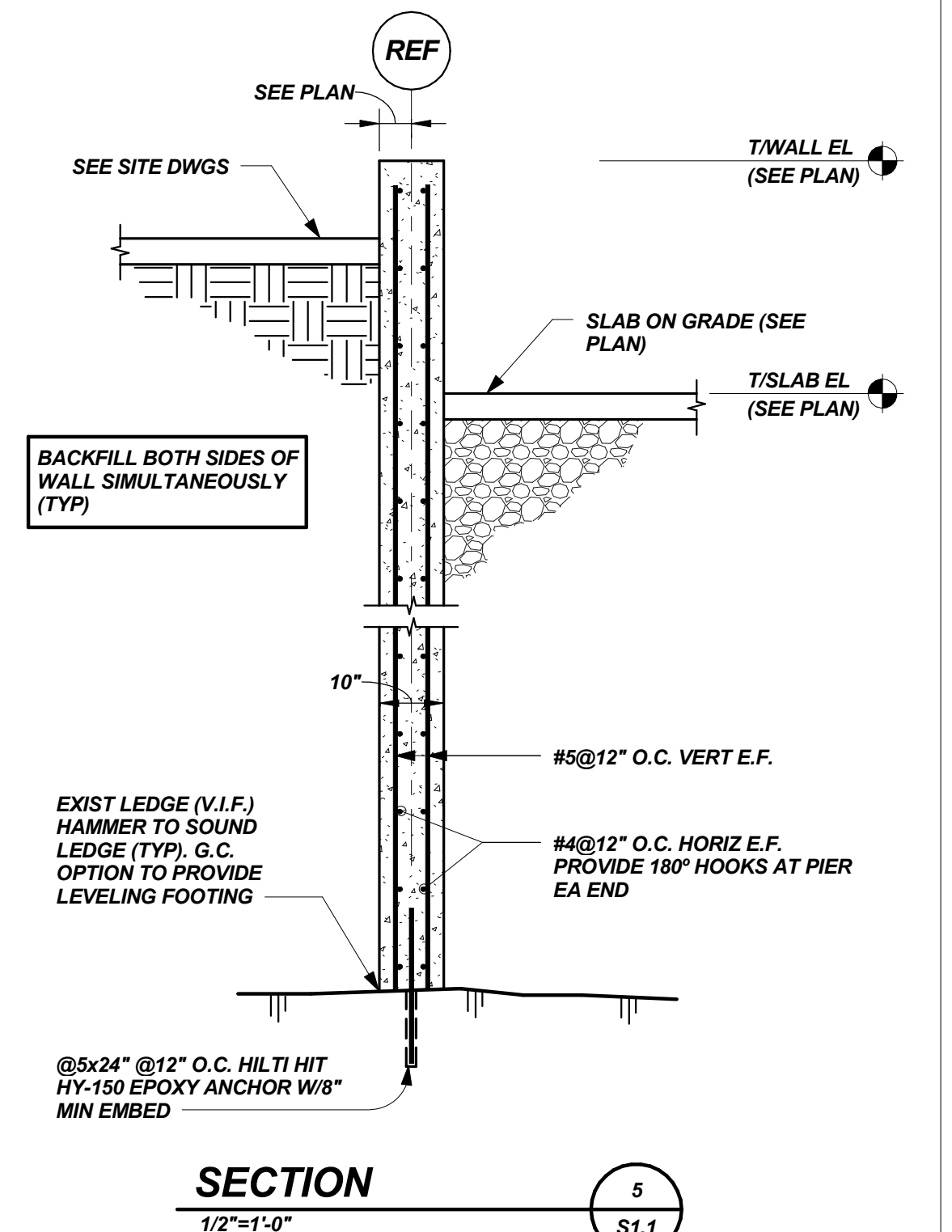
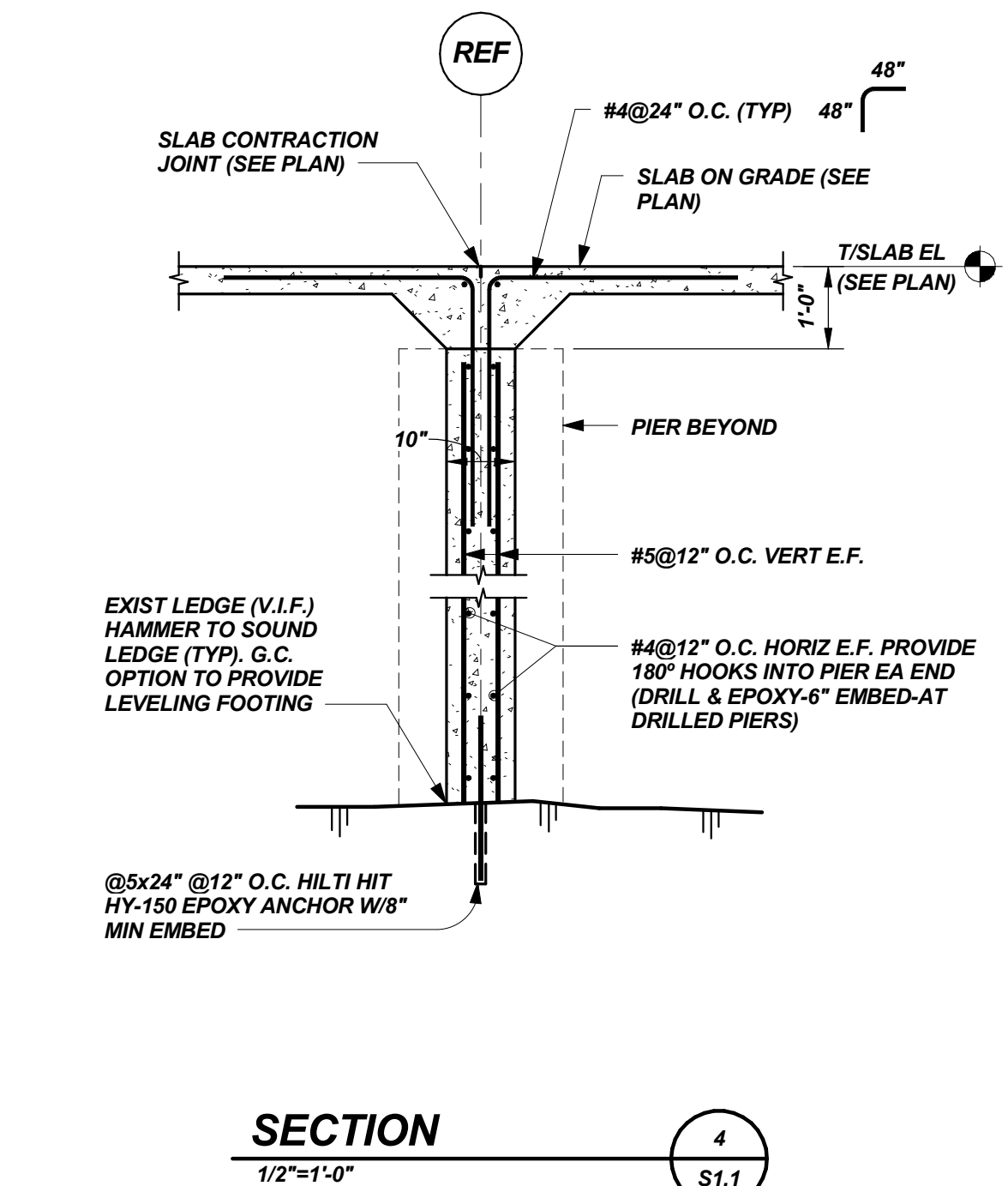
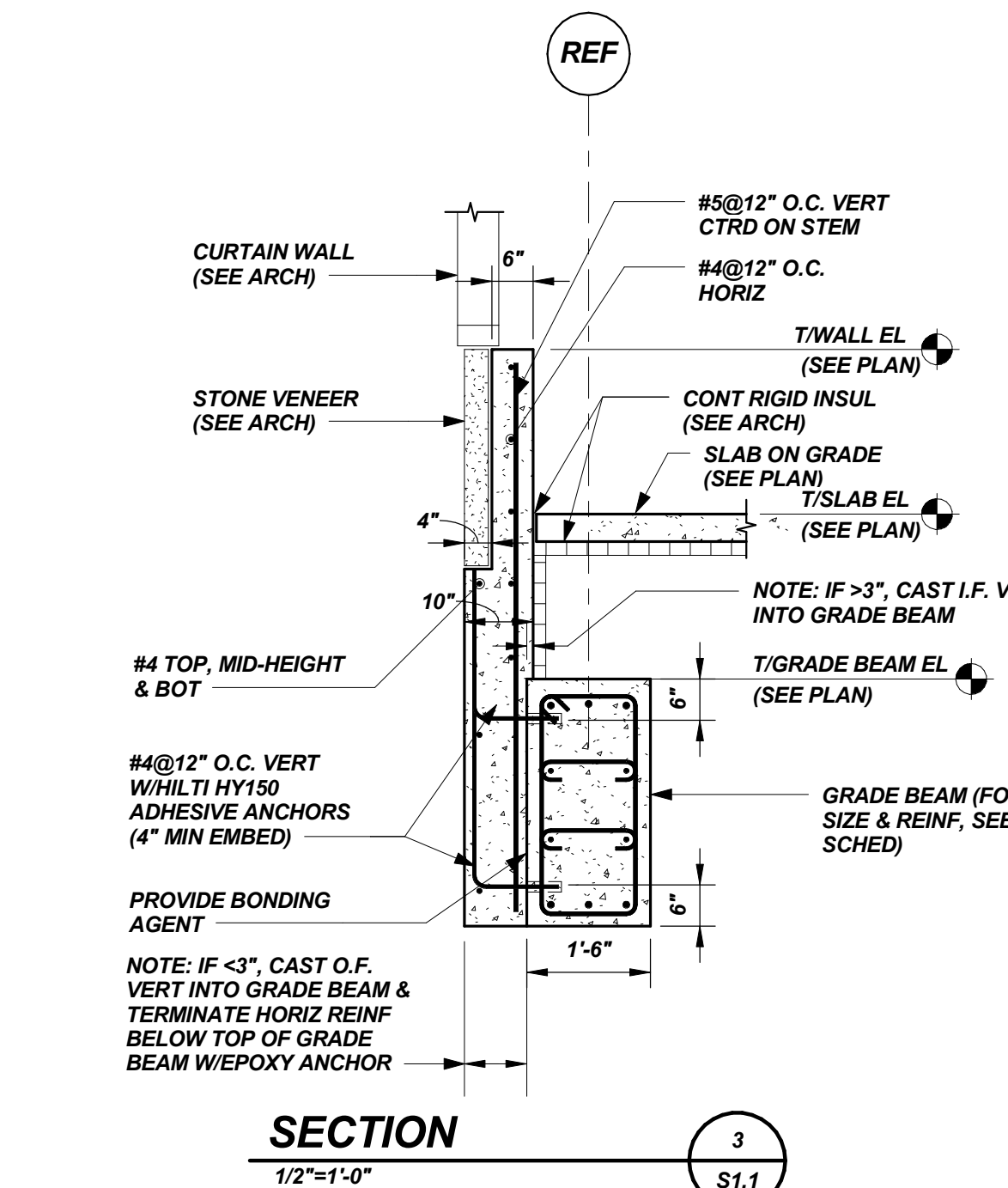
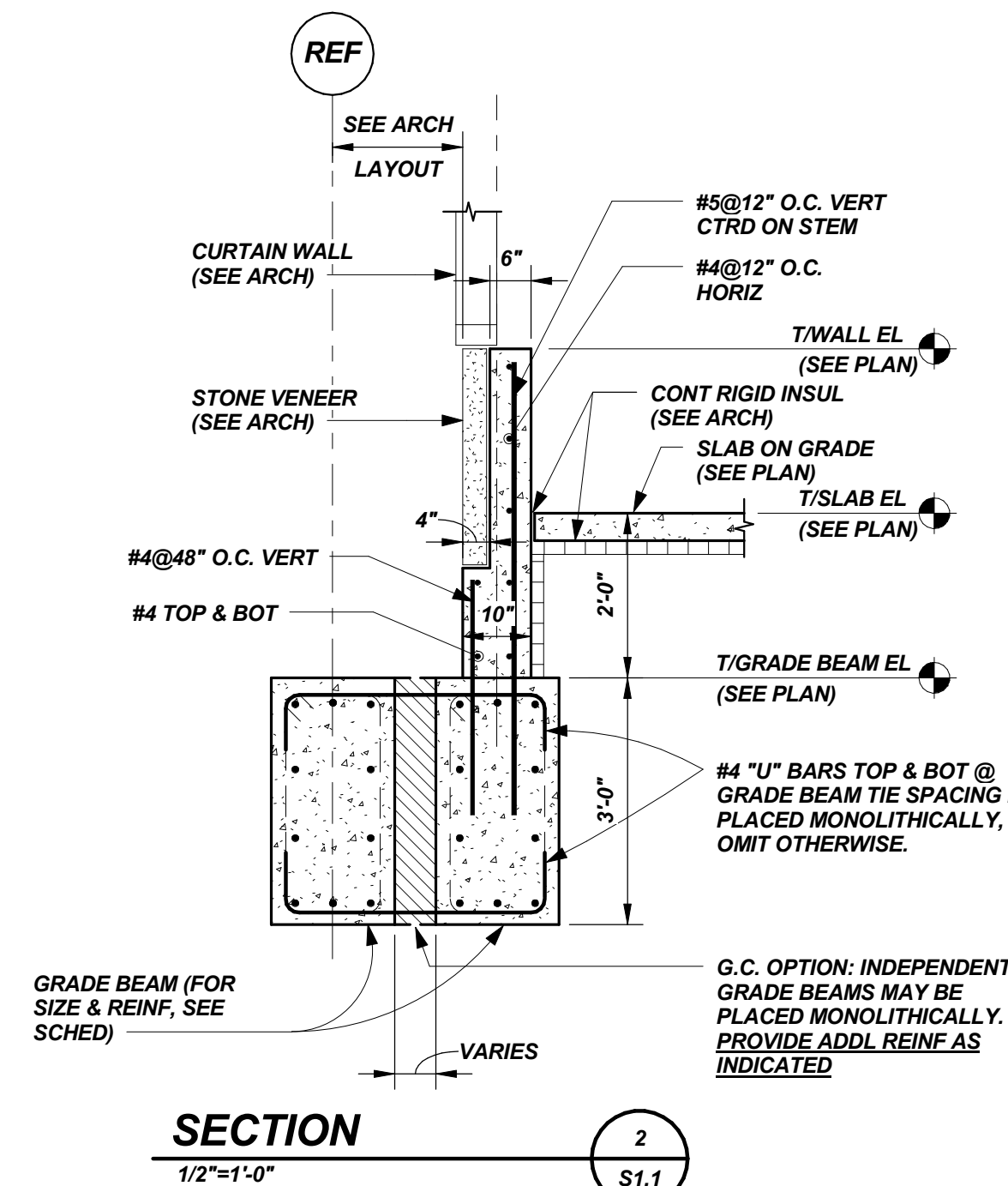
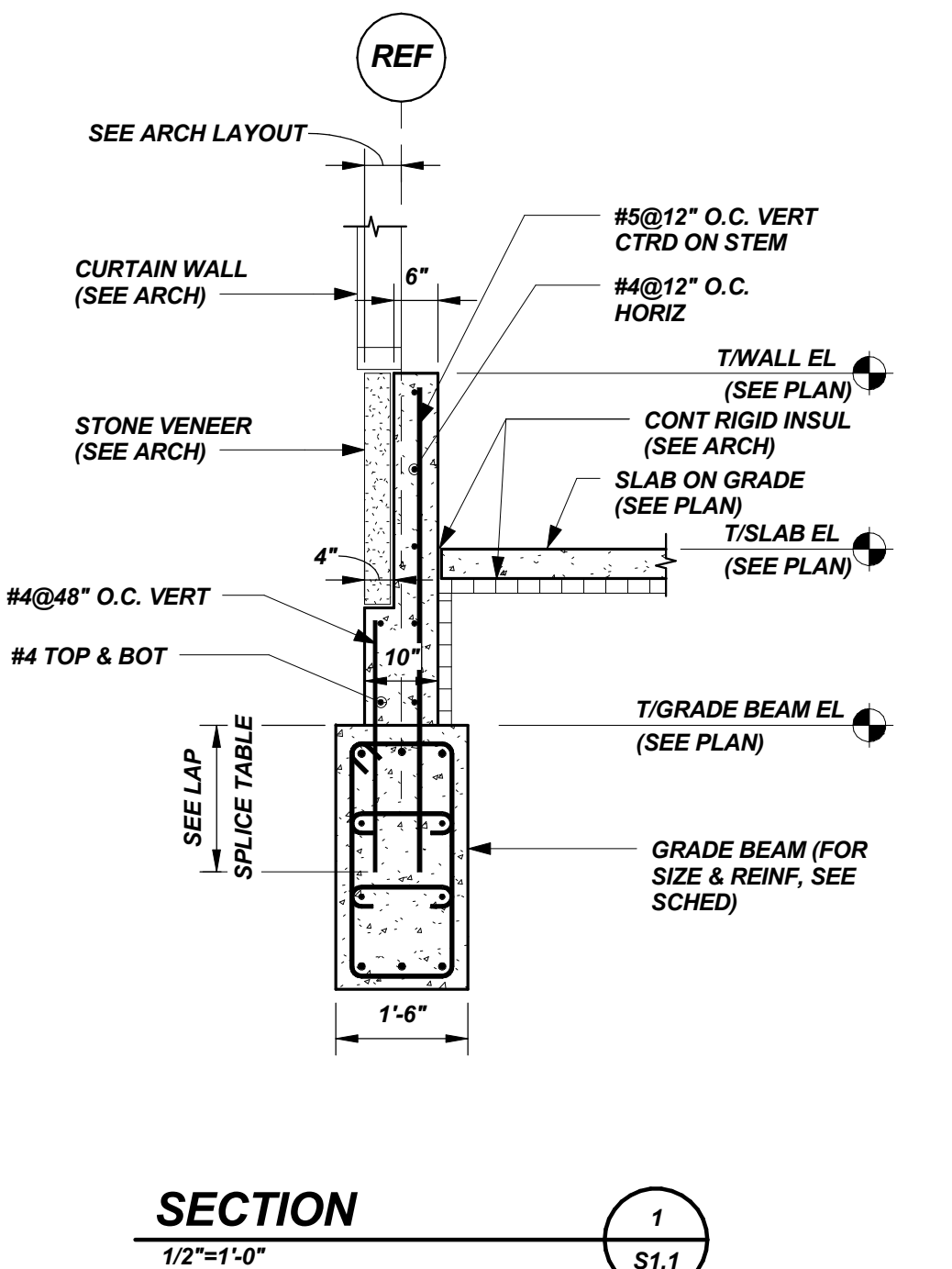
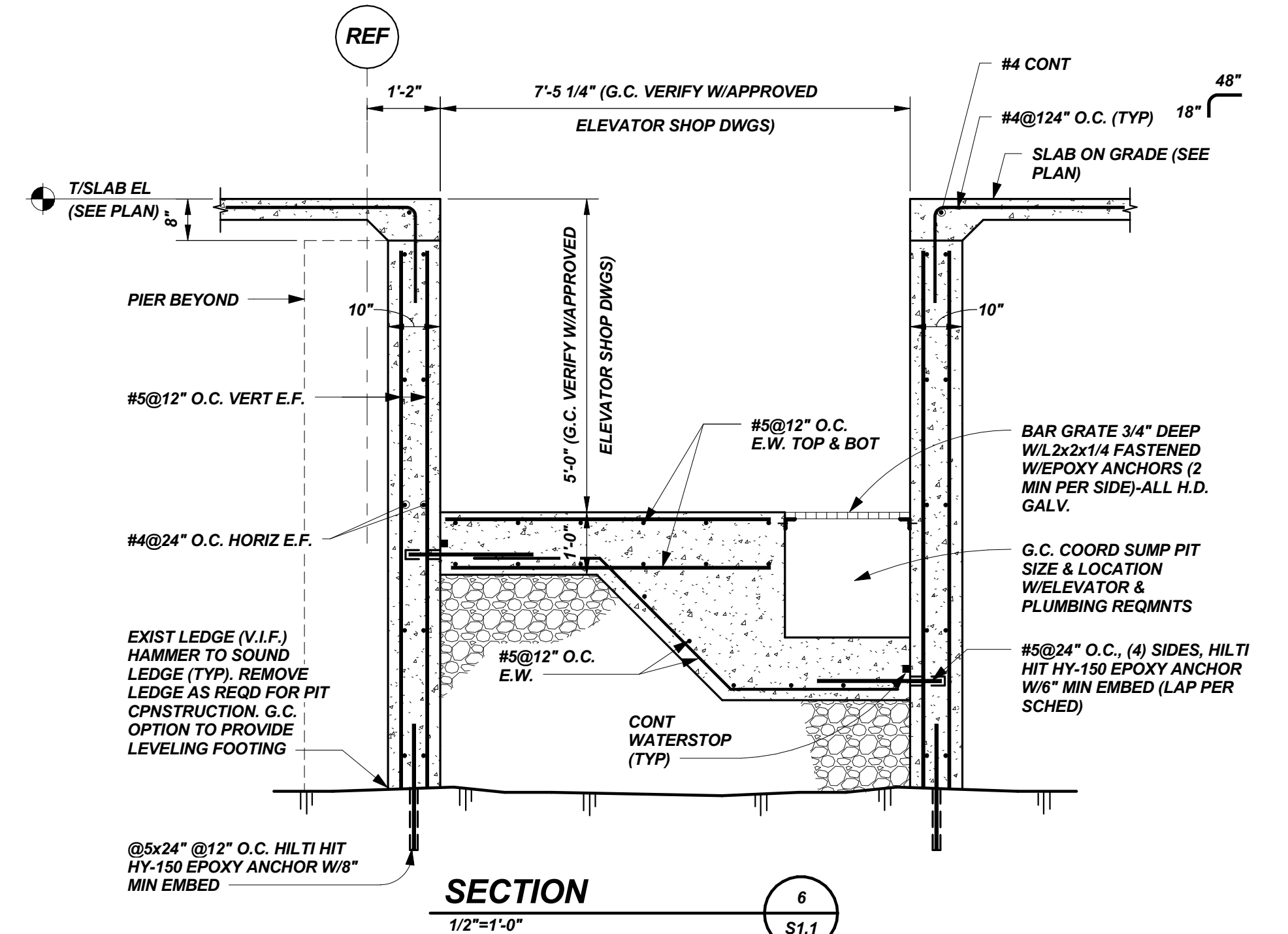


TYP DRILLED PIER DETAIL
1/2"=1'-0"



PIER DETAILS
1/2"=1'-0"

- NOTES:**
- TYP PIER REINF SHALL BE 8#6 VERT W/MATCHING DOWELS INTO FTG. W#3 TIES (Ø36" AT TOP, BAL @12" O.C. U.N.O.)
 - PROVIDE 1 1/2" MIN CLR TO ALL REINF FROM FACE OF CONC U.N.O. COORDINATE CORNER BAR LOC/STIRRUP SIZE W/DP BELOW.



Mark	Date	Description
Δ	1/18/13	GENERAL REVISIONS

Project Status
ISSUED FOR CONSTRUCTION
11/16/12

Drawing Title
FOUNDATION SECTIONS AND DETAILS

Scale: As indicated
Drawing Number

S3.2