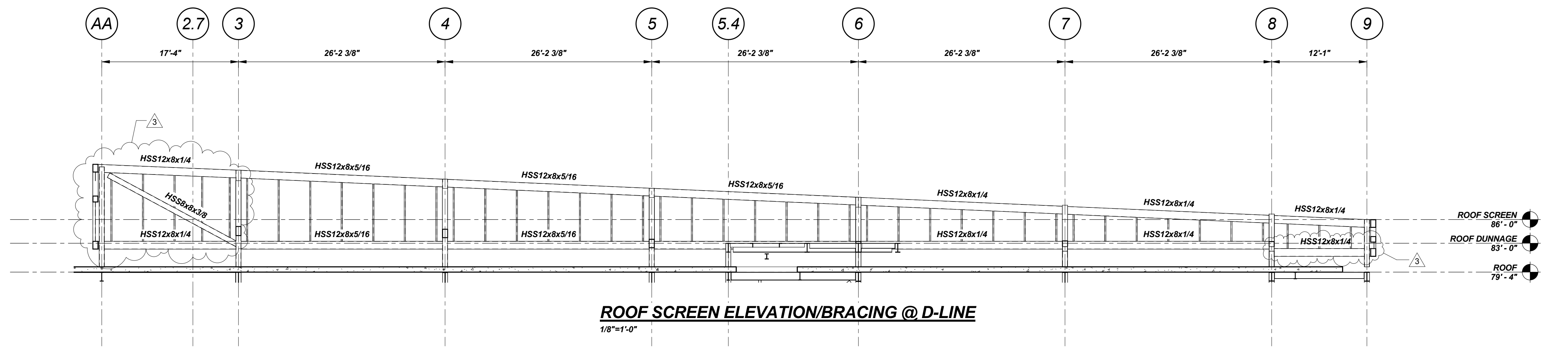
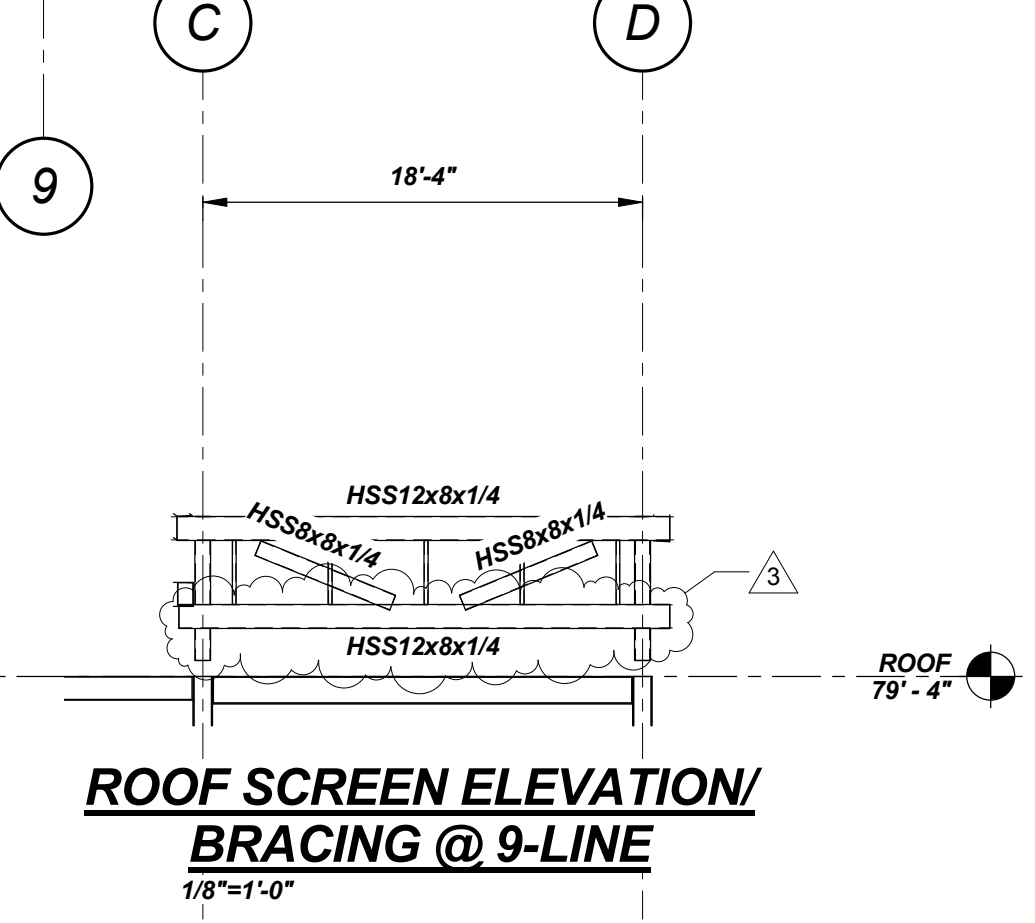
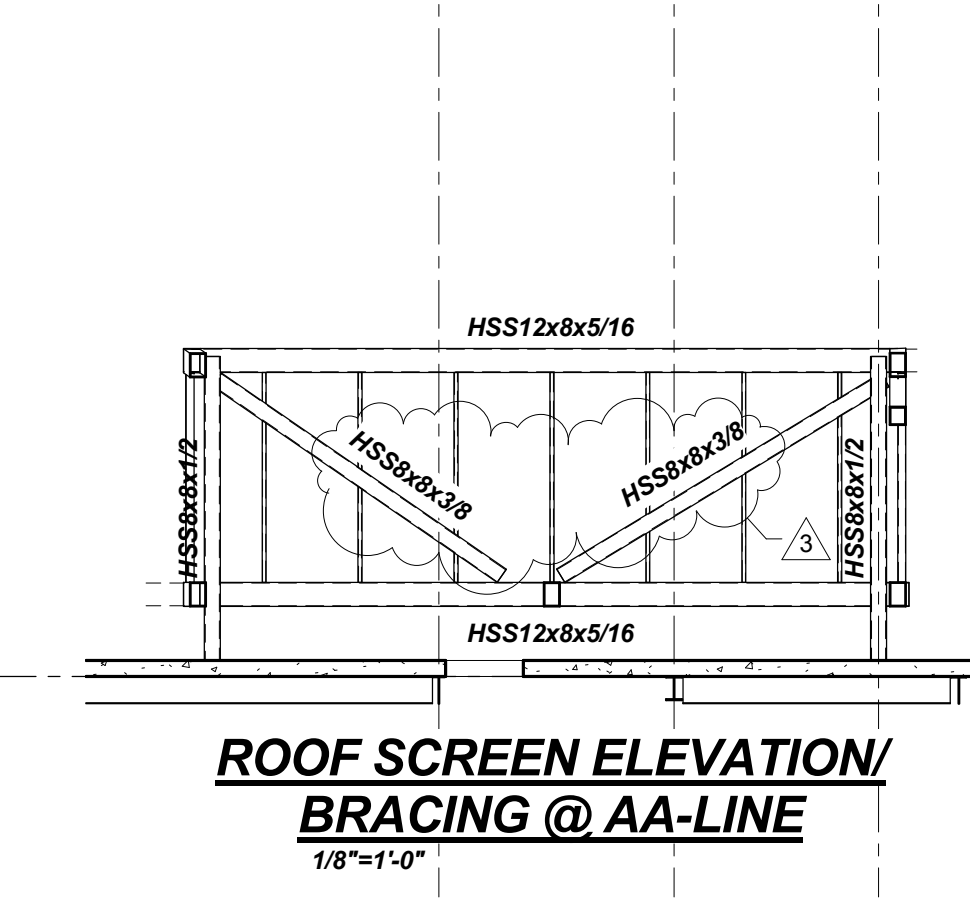


ROOF SCREEN FRAMING PLAN

- 1/8"=1'-0"
 NOTES:
 1. TOP OF STEEL REF EL HIGH (H) VARIES (SEE PLAN).
 2. TOP OF STEEL REF EL LOW (L) 83'-3" U.N.O.
 3. ——— INDICATES HSS8x8x3/8 BRACE.
 4. ALL STEEL AT ROOF SCREEN TO BE H.D. GALV.



Mark	Date	GENERAL REVISIONS Description
Δ	1/18/13	ISSUED FOR CONSTRUCTION

Project Status
ISSUED FOR CONSTRUCTION
 11/12/12
 Drawing Title
ROOF SCREEN FRAMING PLAN

Scale: As indicated
 Drawing Number
S1.7