

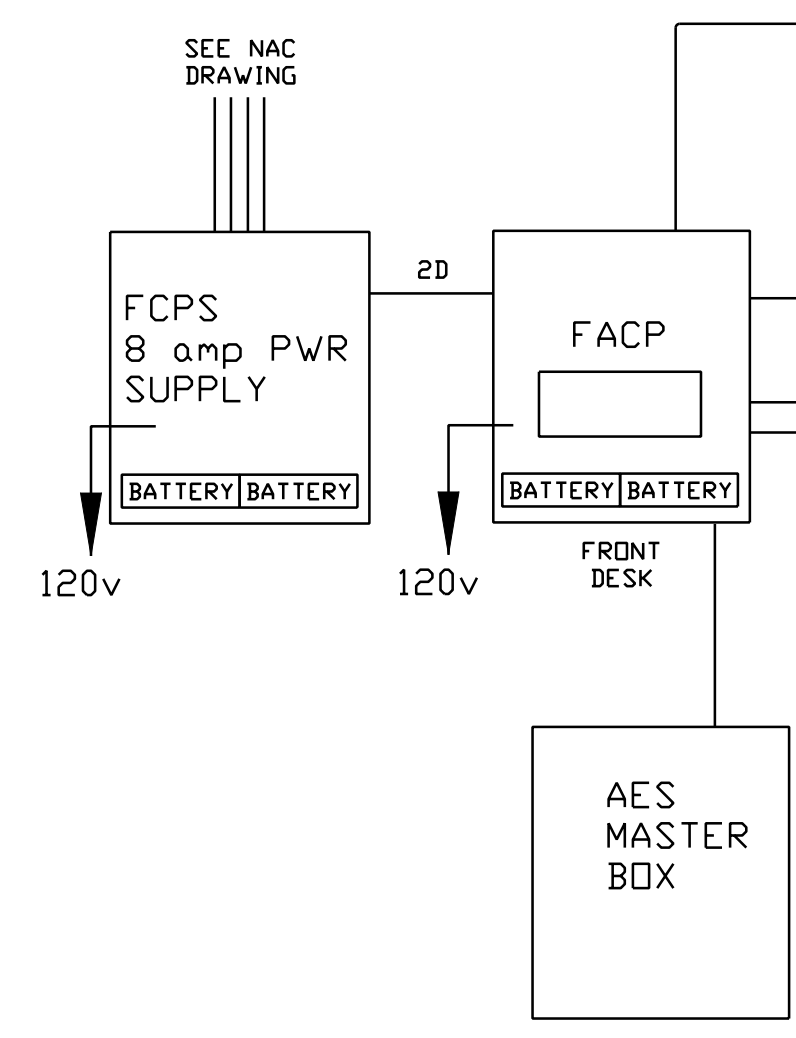
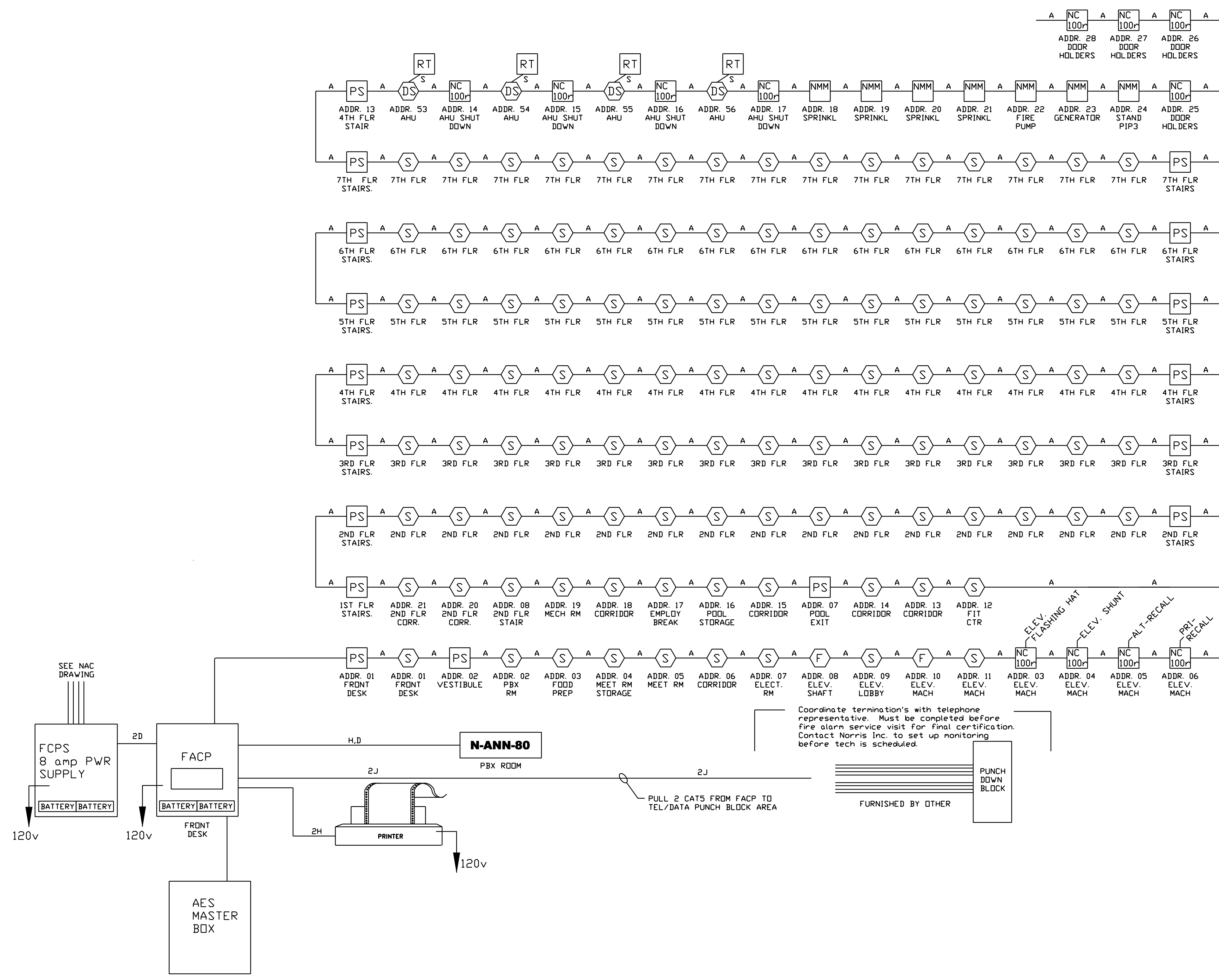
LEGEND

48 INCHES	PS	PULL STATION
	S	SMOKE DETECTOR
	R	HEAT DETECTOR RATE OF RISE
	F	HEAT DETECTOR FIXED TEMP
	RT	REMOTE TEST/INDICATOR
	DS	DUCT SMOKE DETECTOR
80 INCHES	MH	MINI HORN
80 INCHES	VO	VISUAL ONLY
	AV	AUDIO / VISUAL
	NZM 100	ZONE MODULE
	NC-100	CONTROL MODULE
	NMM	MONITOR MODULE 100=4 SQUARE, 100p=mini-mod
	NC 100r	RELAY MODULE

This drawing is a typical device layout, wiring is shown diagrammatically only. This drawing has been provided as an example ONLY. Riser does not necessarily indicate all devices and appliances. See floor plans and specification for location and quantities. The purchaser must accurately layout the initiating and notification devices in their proper zones/circuit. Note: All signal circuits have a 2.5 amp load limitation and a combined load limitation of 30 amps or 6.0 amps if XRM-24 is added to the panel. There can be 4 class B nac circuits or 2 class A nac circuits. REMOTE power supply has a 30 amps limitation per circuit and an 8.0 amp combined limitation for all 4 circuits. (See chart below for current vs. candela rating)

Room Size	Candela Rating	Load (amps)
20' x 20'	15 cd	0.08 amps
28' x 28'	30 cd	0.10 amps
45' x 45'	75 cd	0.15 amps
54' x 54'	110 cd	0.20 amps

- A 1 PR #12 AWG TWISTED-PAIR UNSHIELDED CABLE FPL GENESIS 4515, BELDEN 6020UL (Up to 10,000 ft)
- A 1 PR #14 AWG TWISTED-PAIR UNSHIELDED CABLE FPL GENESIS 4513, BELDEN 6120UL (Up to 8,000 ft)
- A 1 PR #16 AWG TWISTED-PAIR UNSHIELDED CABLE FPL GENESIS 4511, BELDEN 6220UL (Up to 4,500 ft)
- B 1 PR #12 AWG FPL CABLE
- D 1 PR #14 AWG FPL CABLE
- E 1 PR #16 AWG FPL CABLE
- F 2c #12 AWG CABLE
- G 2c #14 AWG CABLE
- H 1 PR #16 AWG TWISTED-PAIR SHIELDED CABLE FPL
- J 1 CAT5 CABLE



Mark	Date	Description

Project Status  
**ISSUED FOR  
 CONSTRUCTION**  
 03-01-2013

Drawing Title  
**Fire Alarm Riser  
 Wiring Diagram**

Scale:  
 Drawing Number

**E40.2**