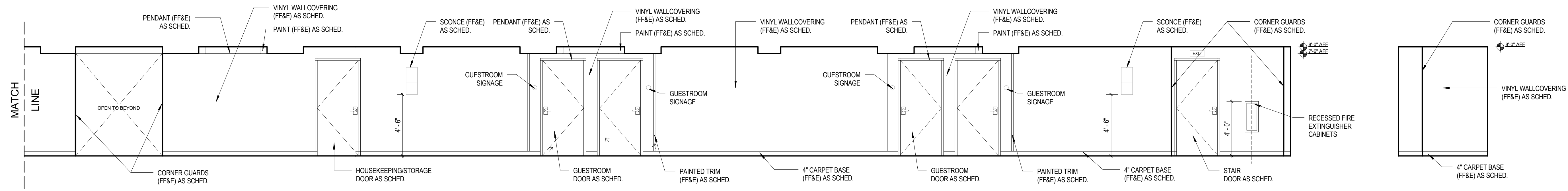


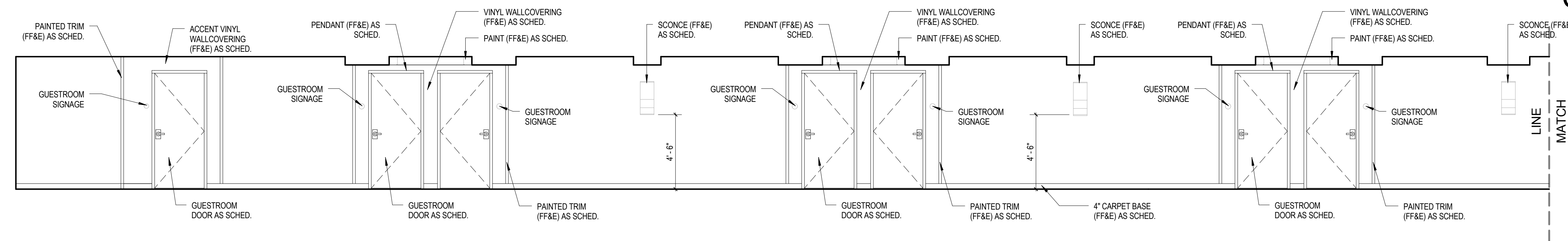
01 INTERIOR ELEVATION @ CORRIDOR - FLOORS 3-6

1/4" = 1'-0"



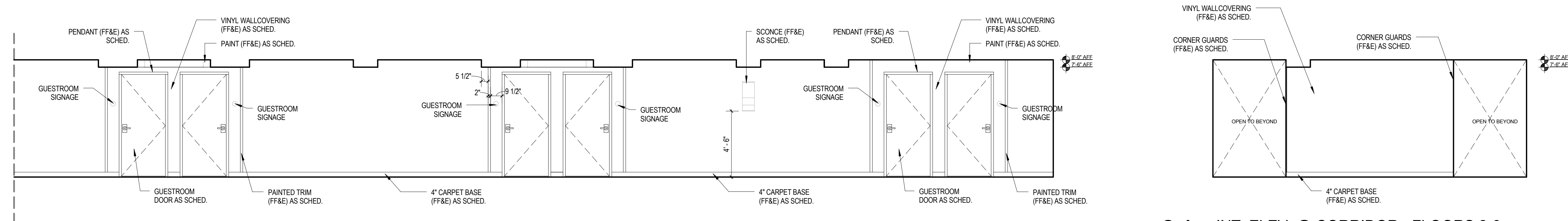
02 INT. ELEV. @ CORRIDOR - FLOORS 2-6

1/4" = 1'-0"



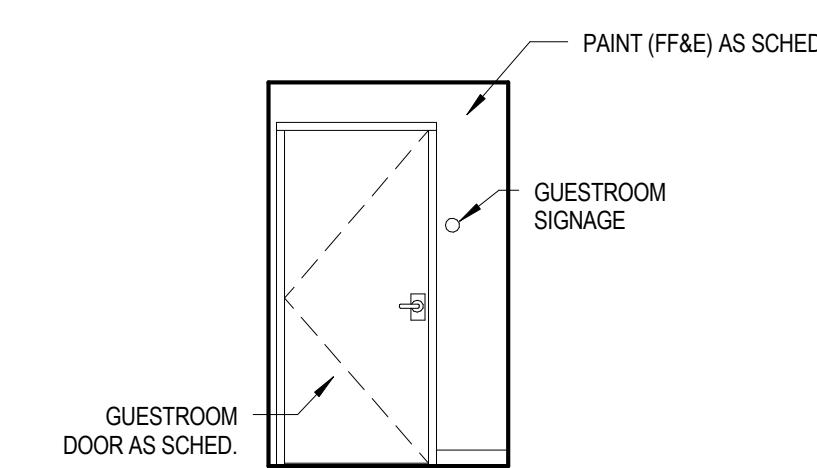
03 INTERIOR ELEVATION @ CORRIDOR - FLOORS 2-6

1/4" = 1'-0"



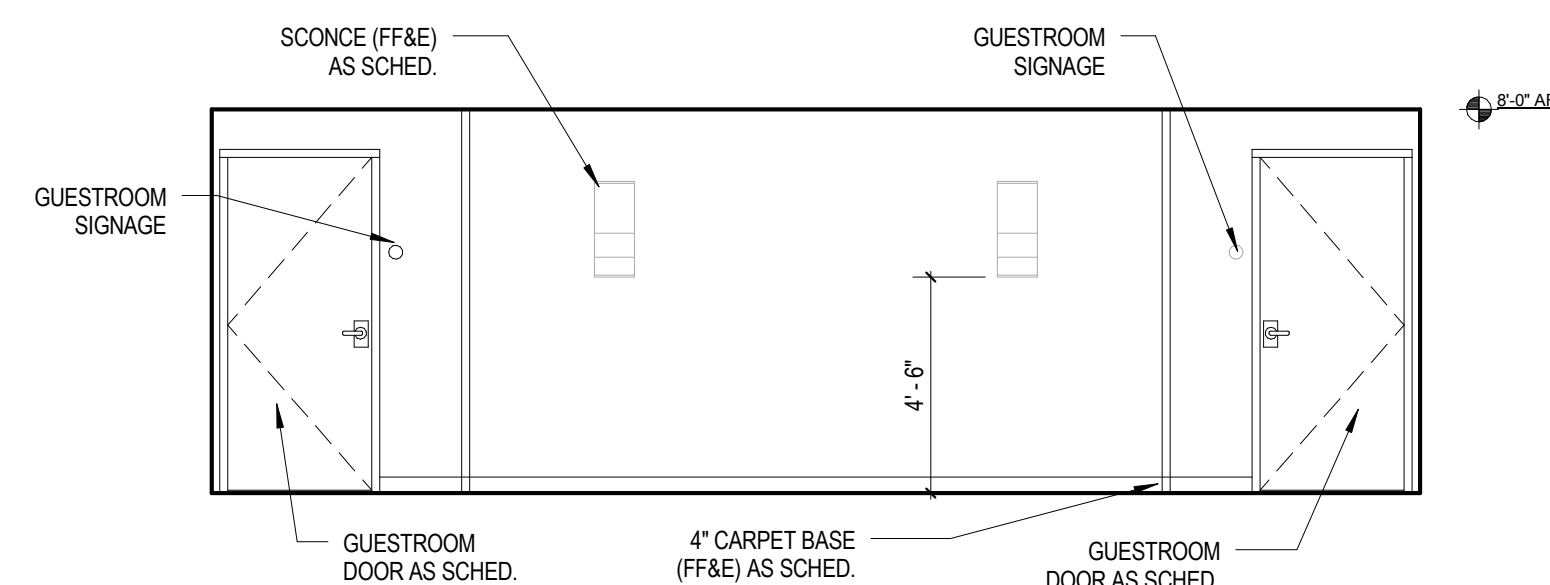
04 INT. ELEV. @ CORRIDOR - FLOORS 2-6

1/4" = 1'-0"



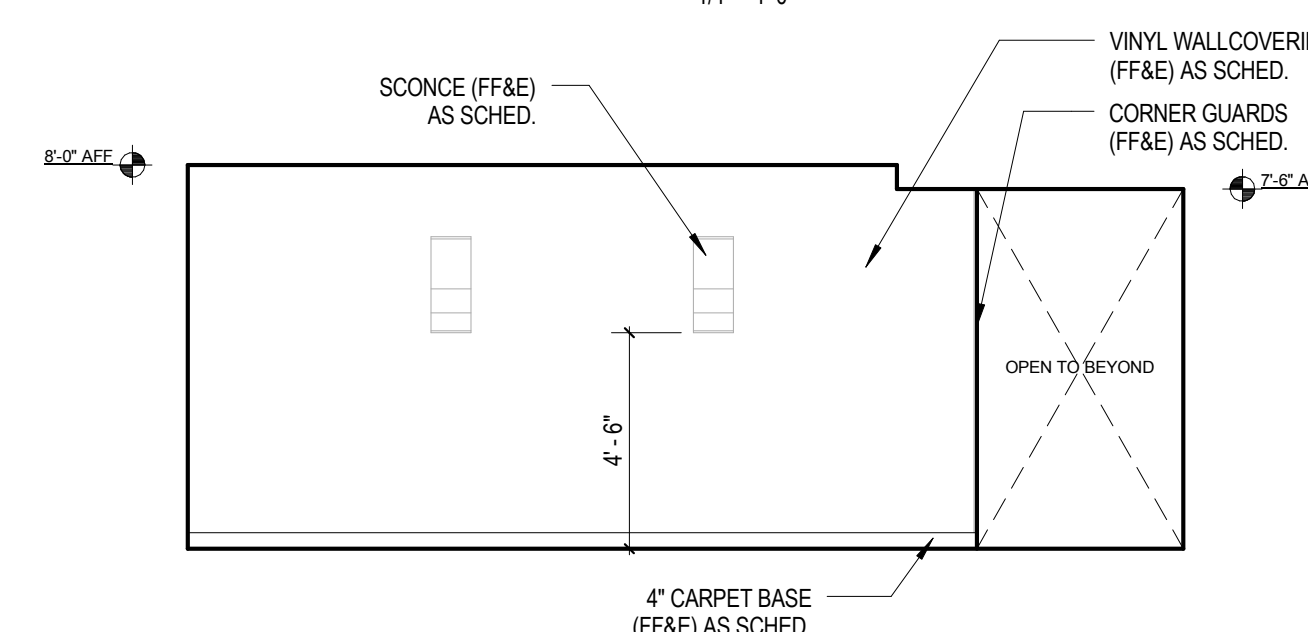
05 INT. ELEV. @ CORRIDOR - FLOORS 2-6

1/4" = 1'-0"



06 INT. ELEV. @ CORRIDOR - FLOORS 2-6

1/4" = 1'-0"



07 INT. ELEV. @ CORRIDOR - FLOORS 2-6

1/4" = 1'-0"

Mark	Date	Description

Project Status

ISSUED FOR CONSTRUCTION

03-01-2013

Drawing Title

INTERIOR ELEVATIONS PUBLIC AREAS

Scale: 1/4" = 1'-0"

Drawing Number

A81.4