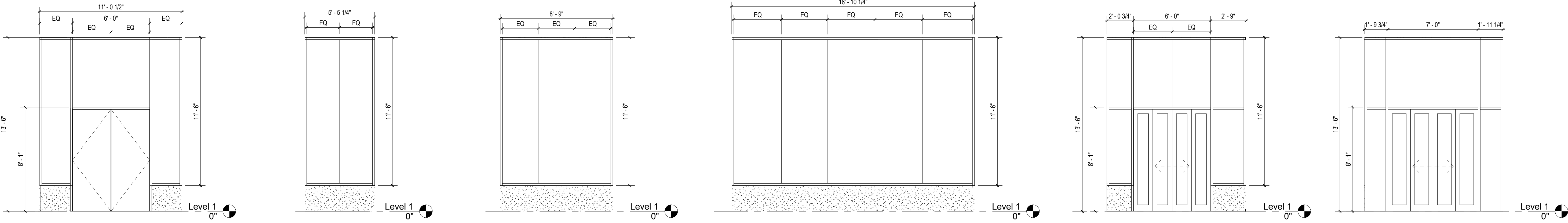
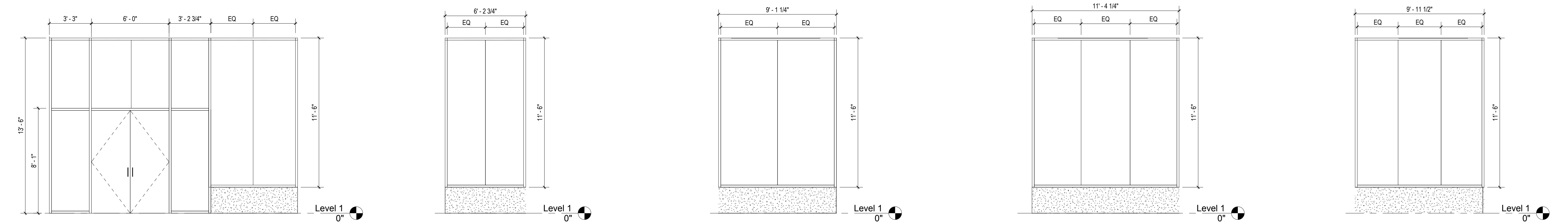


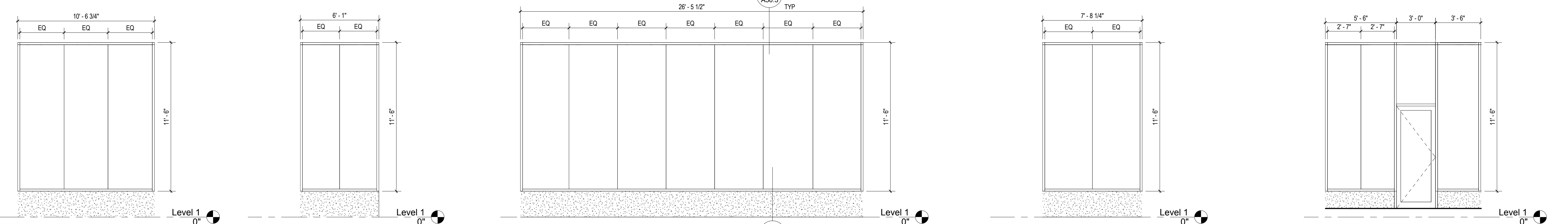
23 STOREFRONT ELEVATION 23 1/4" = 1'-0"  
 22 STOREFRONT ELEVATION 22 1/4" = 1'-0"  
 21 STOREFRONT ELEVATION 21 1/4" = 1'-0"  
 20 STOREFRONT ELEVATION 20 1/4" = 1'-0"  
 19 STOREFRONT ELEVATION 19 1/4" = 1'-0"  
 18 STOREFRONT ELEVATION 18 1/4" = 1'-0"  
 17 STOREFRONT ELEVATION 17 1/4" = 1'-0"



16 STOREFRONT ELEVATION 16 1/4" = 1'-0"  
 15 STOREFRONT ELEVATION 15 1/4" = 1'-0"  
 14 STOREFRONT ELEVATION 14 1/4" = 1'-0"  
 13 STOREFRONT ELEVATION 13 1/4" = 1'-0"  
 12 STOREFRONT ELEVATION 12 1/4" = 1'-0"  
 11 STOREFRONT ELEVATION 11 1/4" = 1'-0"



10 STOREFRONT ELEVATION 10 1/4" = 1'-0"  
 9 STOREFRONT ELEVATION 9 1/4" = 1'-0"  
 8 STOREFRONT ELEVATION 8 1/4" = 1'-0"  
 7 STOREFRONT ELEVATION 7 1/4" = 1'-0"  
 6 STOREFRONT ELEVATION 6 1/4" = 1'-0"



5 STOREFRONT ELEVATION 5 1/4" = 1'-0"  
 4 STOREFRONT ELEVATION 4 1/4" = 1'-0"  
 3 STOREFRONT ELEVATION 3 1/4" = 1'-0"  
 2 STOREFRONT ELEVATION 2 1/4" = 1'-0"  
 1 STOREFRONT ELEVATION 1 1/4" = 1'-0"

NOTE:  
 FILED VERIFY ALL DIMENSIONS AT STOREFRONT

Mark	Date	Description
Project Status		
<b>ISSUED FOR CONSTRUCTION</b>		
03-01-2013		
Drawing Title		
<b>STOREFRONT ELEVATIONS</b>		
Scale: 1/4" = 1'-0"		
Drawing Number		