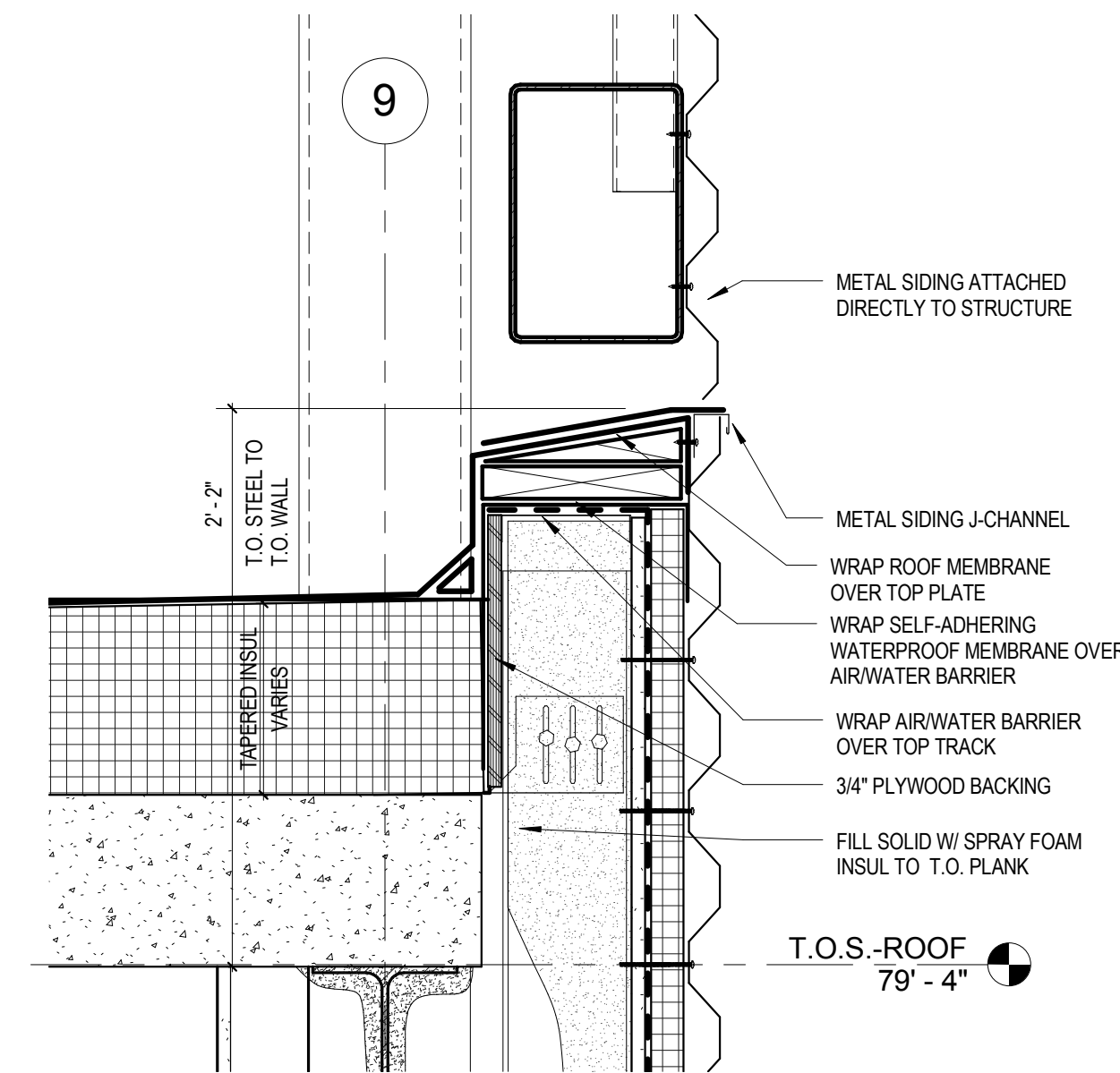
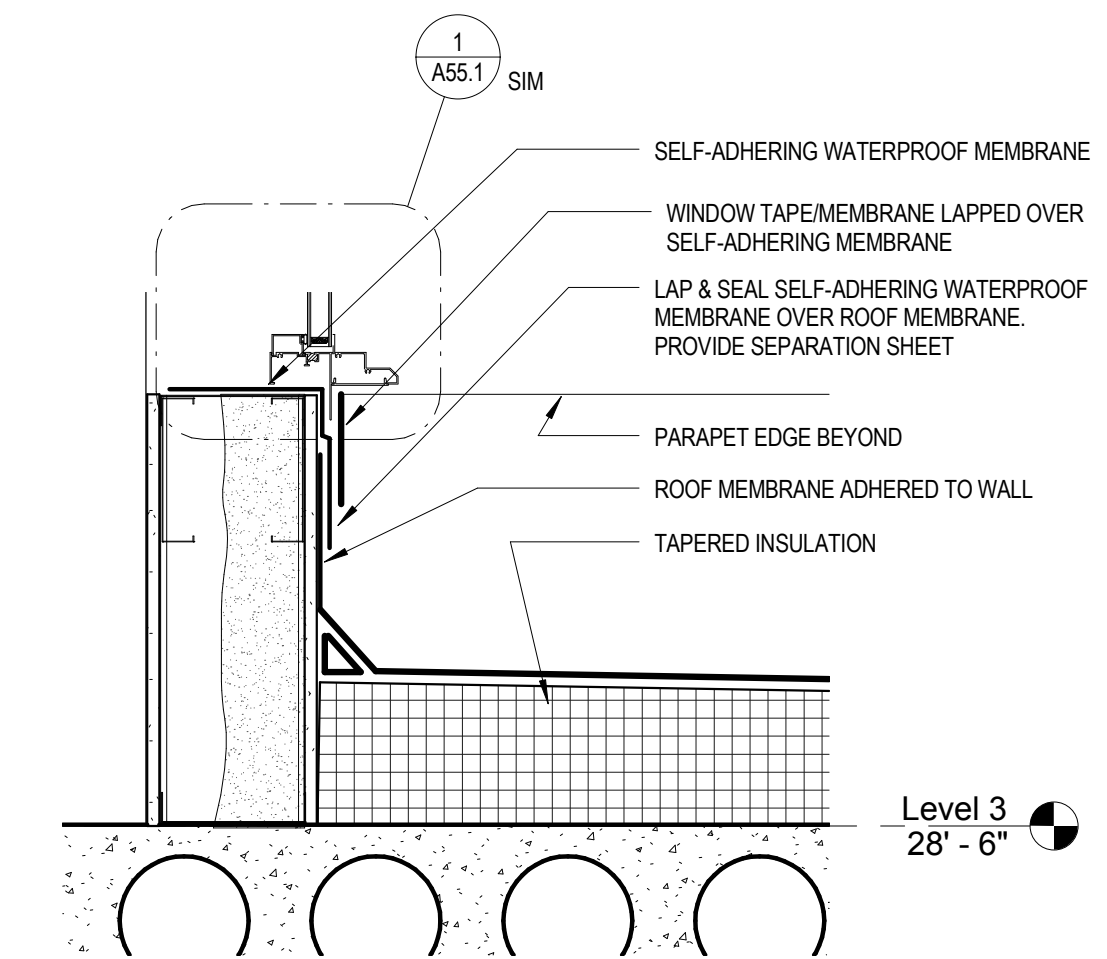


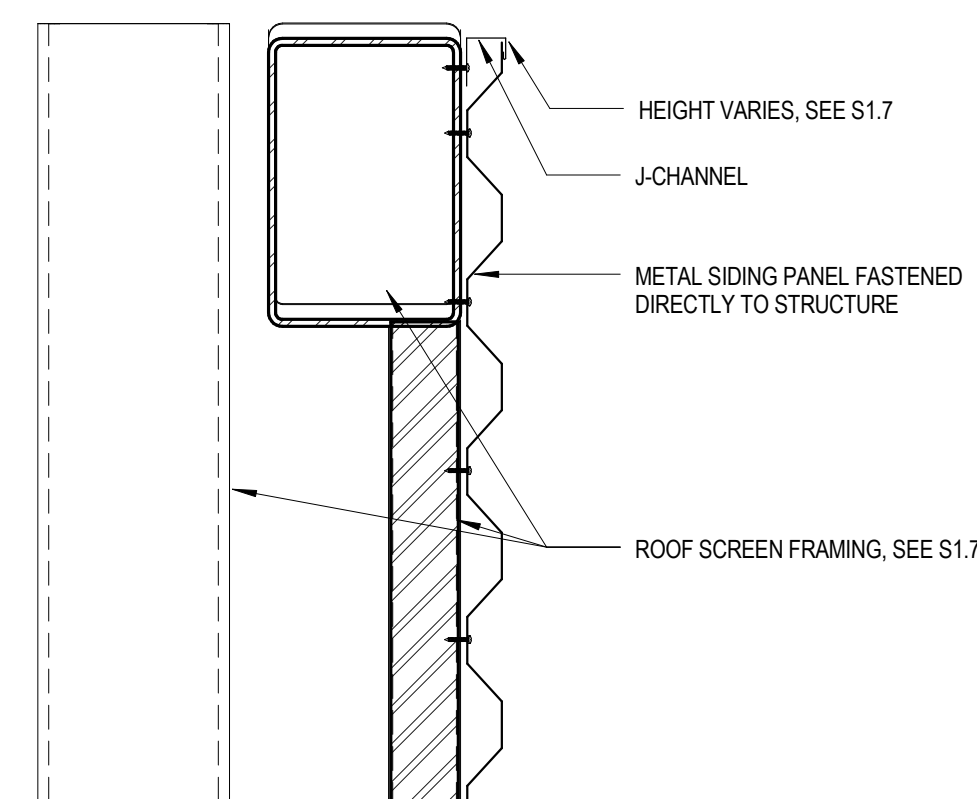
11 DETAIL BEAM SOFFIT @ WINDOW
1 1/2" = 1'-0"



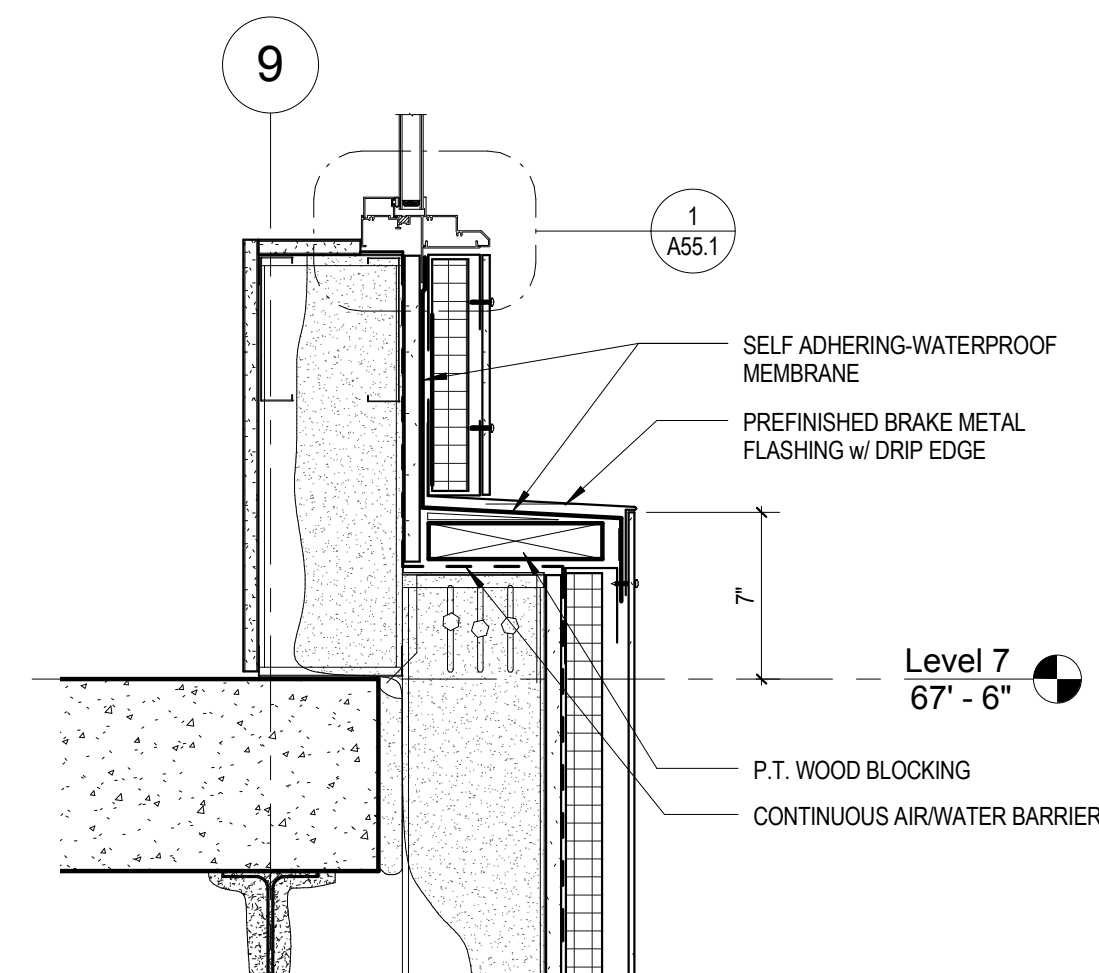
6 DETAIL TOP OF WALL METAL SIDING
1 1/2" = 1'-0"



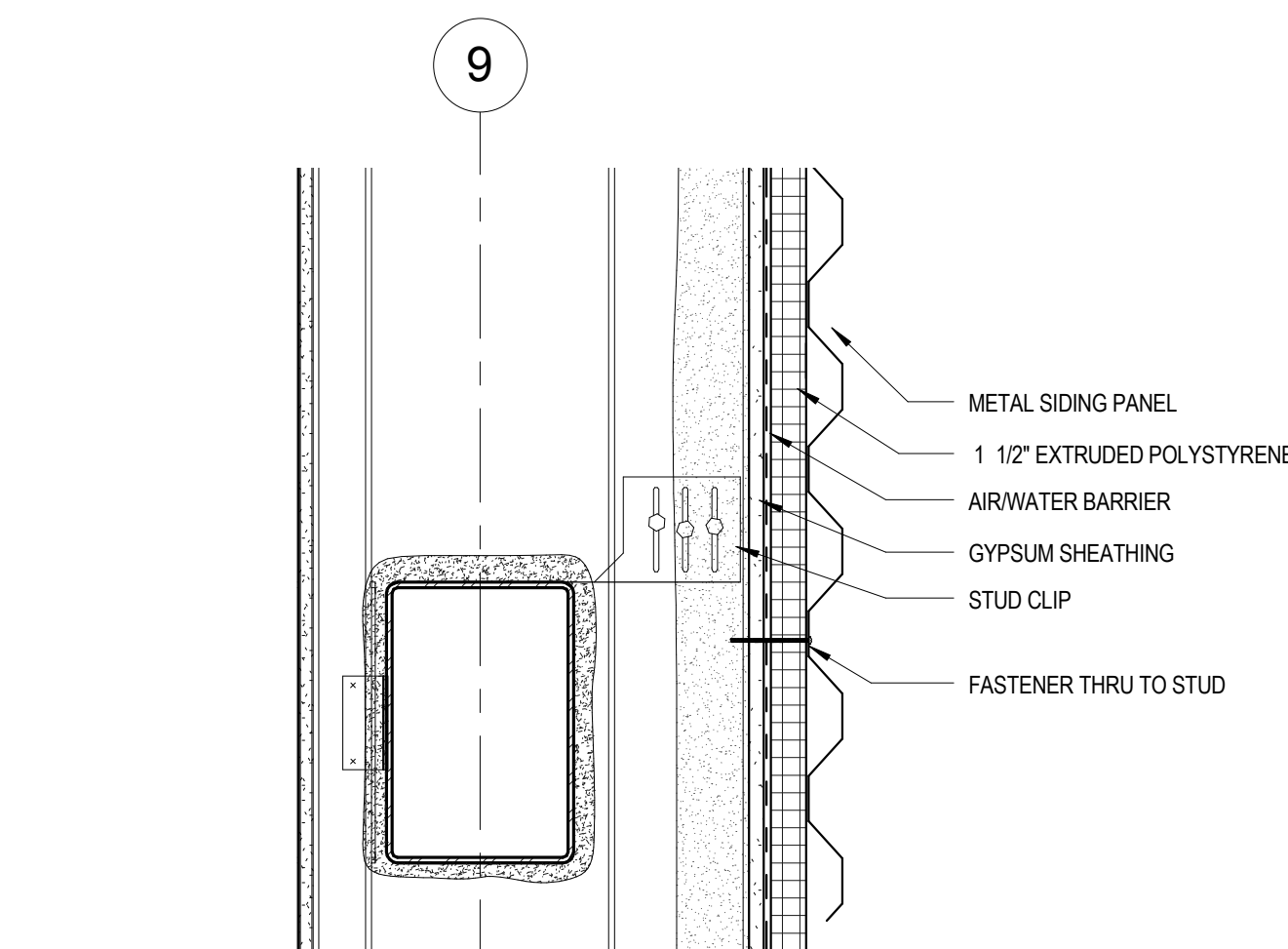
3 DETAIL LEVEL 3 BASE OF WALL AT ROOF
1 1/2" = 1'-0"



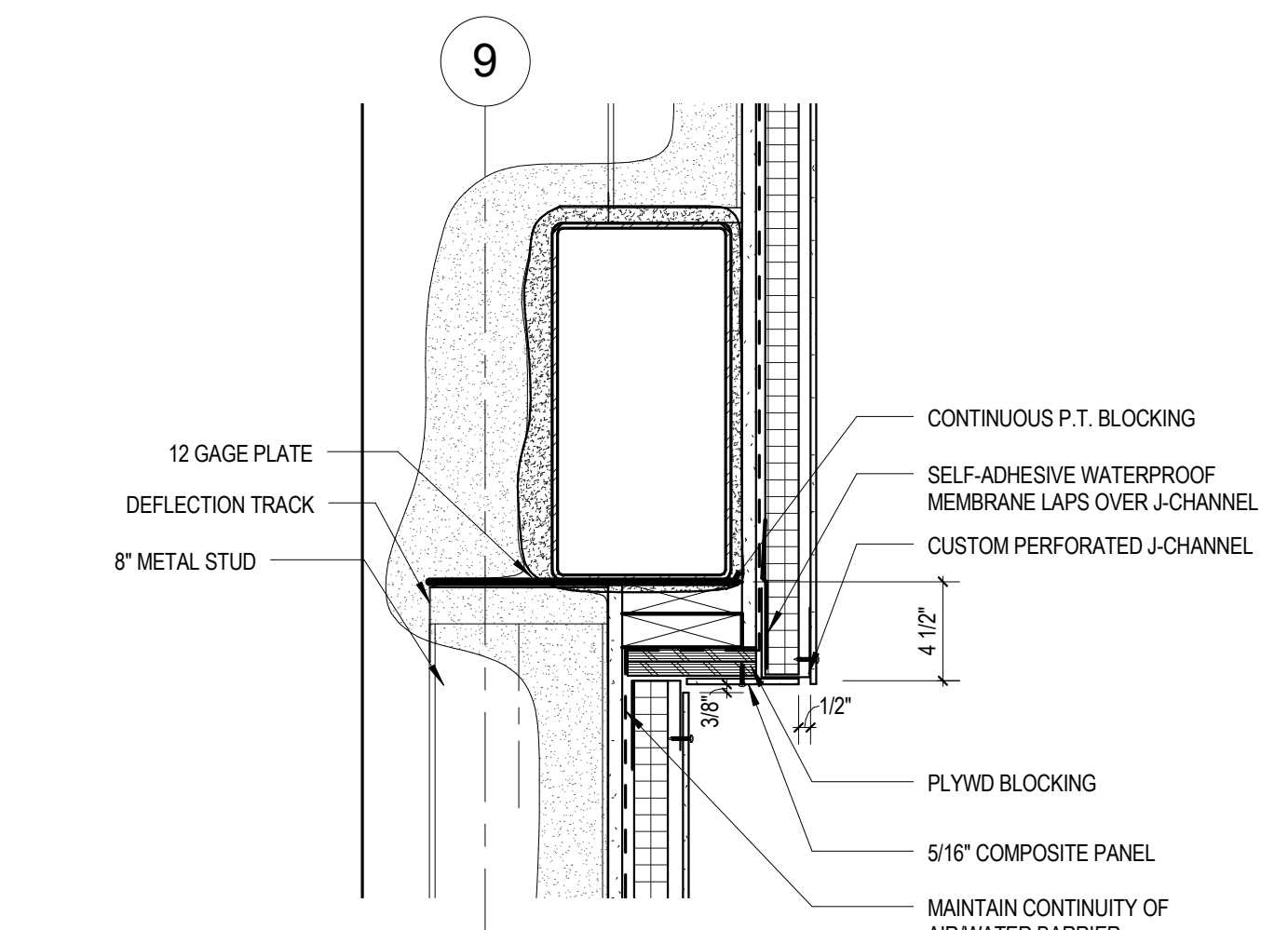
10 DETAIL TOP OF ROOF SCREEN
1 1/2" = 1'-0"



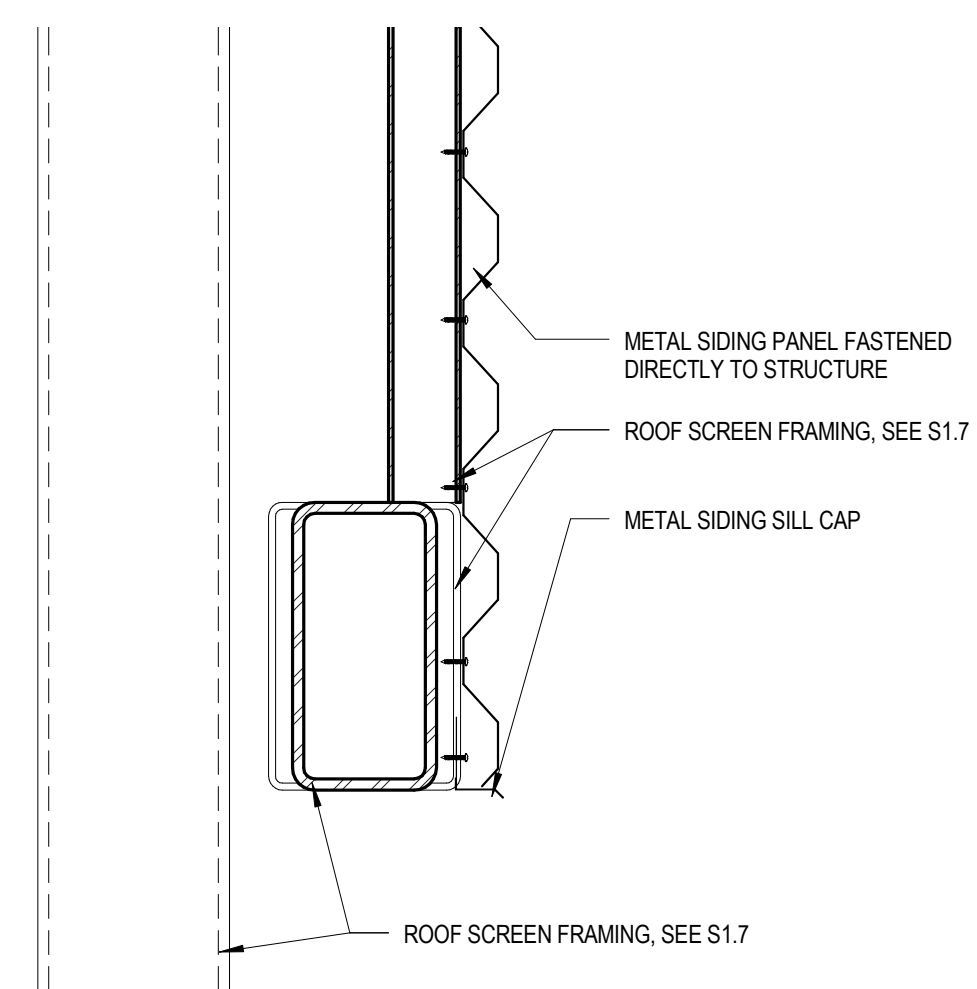
8 DETAIL EAST WALL LEVEL 7 TRANSITION
1 1/2" = 1'-0"



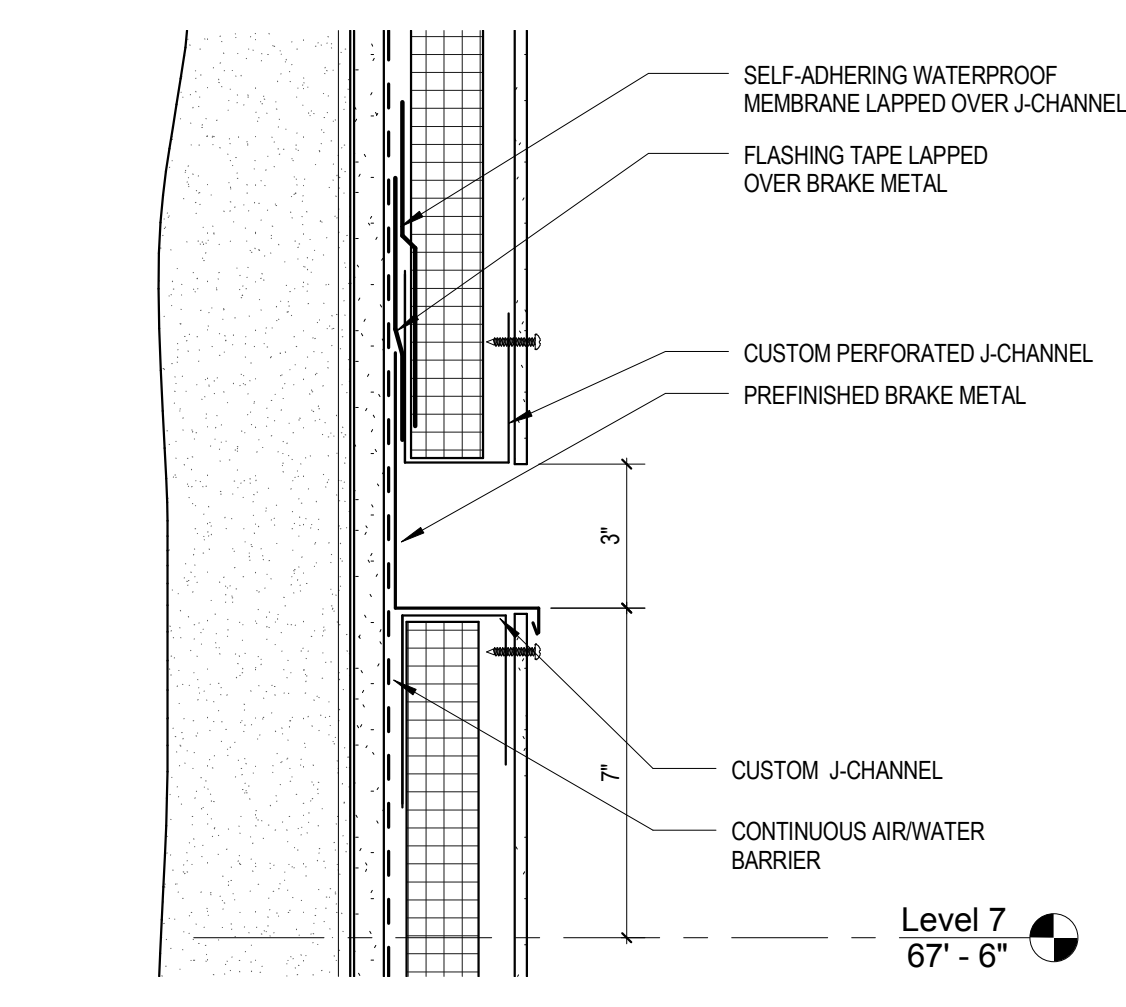
5 DETAIL METAL SIDING WALL SECTION TYP
1 1/2" = 1'-0"



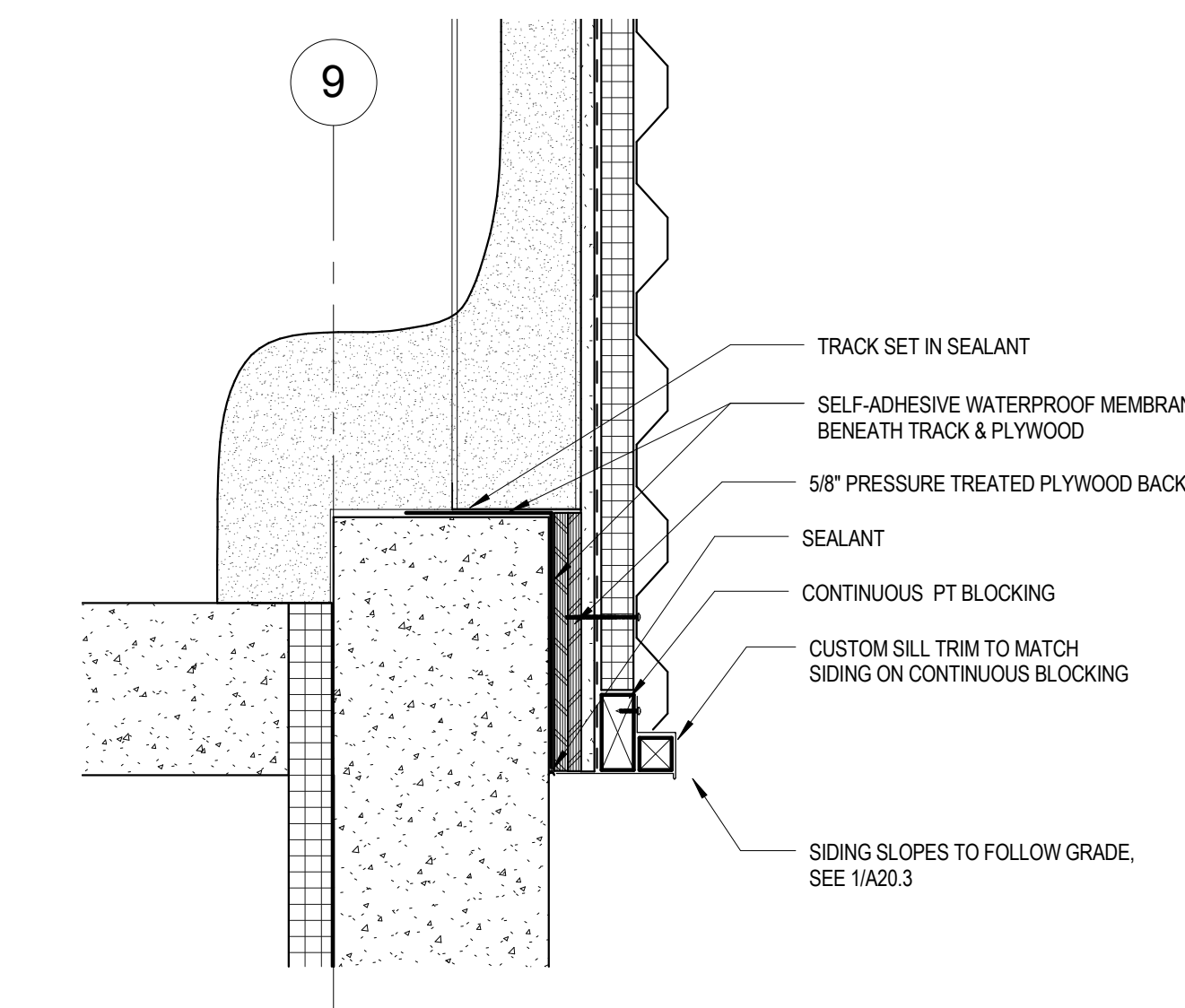
2 DETAIL EAST WALL LEVEL 2 TRANSITION
1 1/2" = 1'-0"



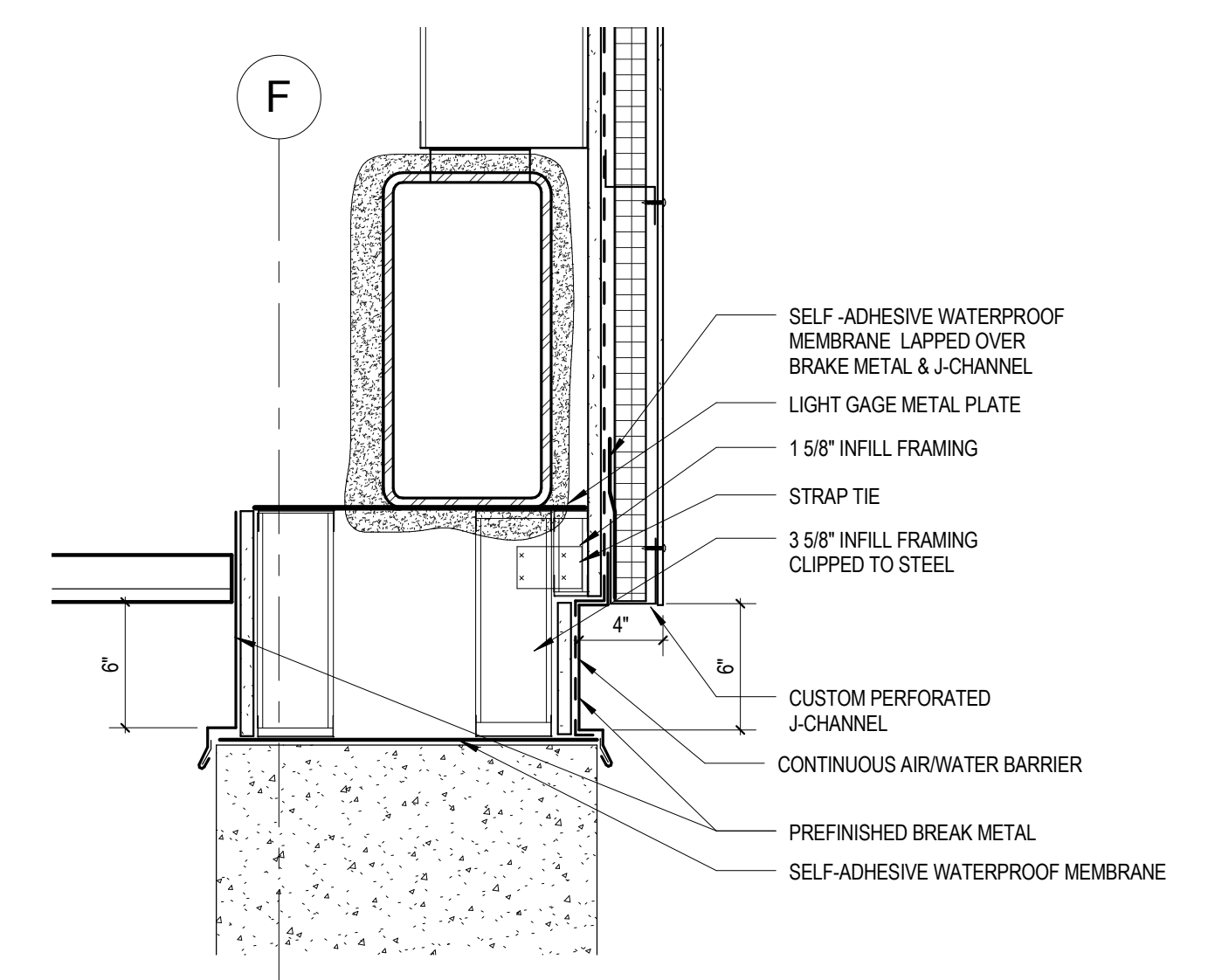
9 DETAIL BASE OF ROOF SCREEN
1 1/2" = 1'-0"



7 DETAIL LEVEL 7 NORTH SIDING TRANSITION
3" = 1'-0"



4 DETAIL BASE OF WALL METAL SIDING
1 1/2" = 1'-0"



1 DETAIL BASE OF NORTH WALL PORT-COCHERE
1 1/2" = 1'-0"